

4

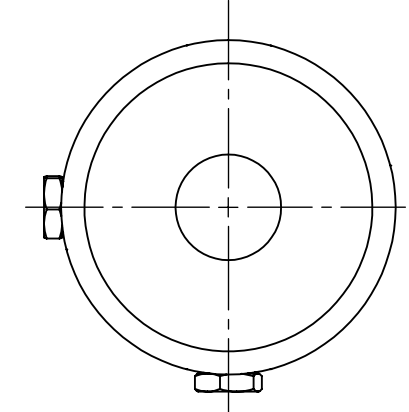
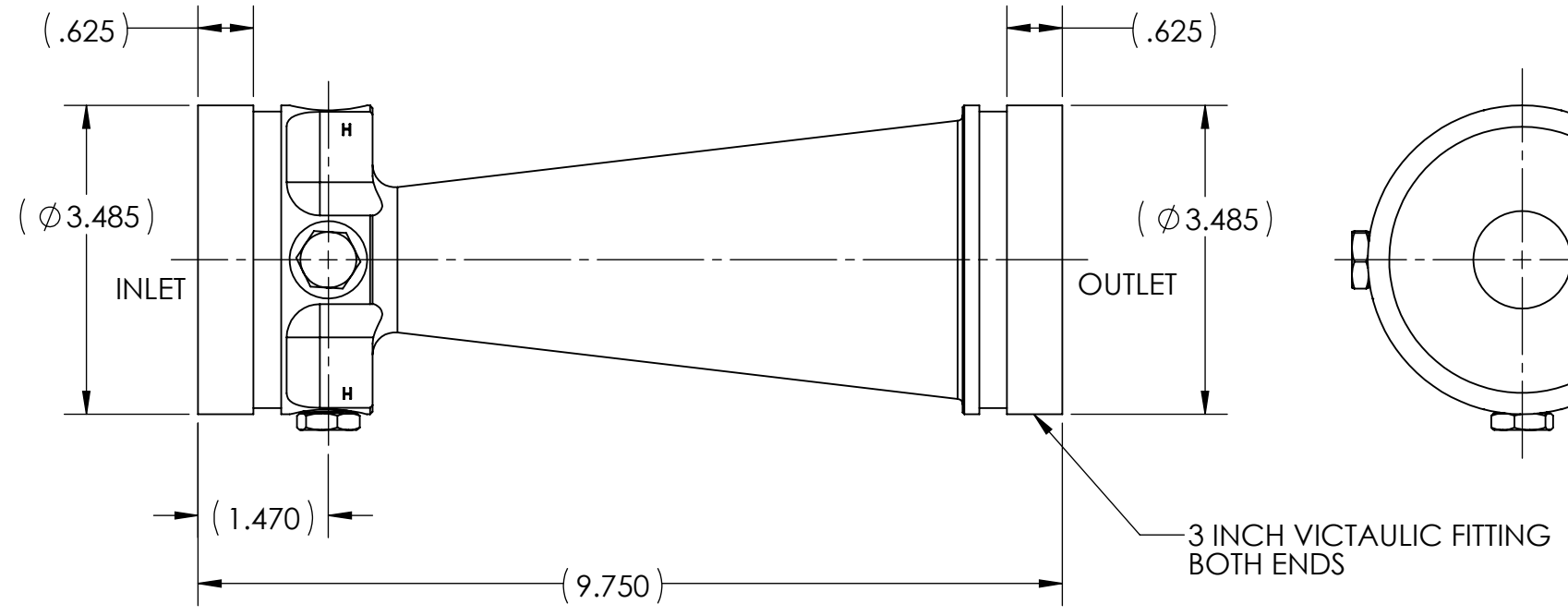
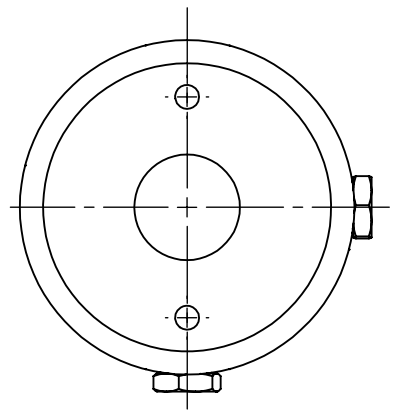
3

2

1

B

B



A

A

**PROPRIETARY AND CONFIDENTIAL**  
 THE INFORMATION CONTAINED IN THIS DRAWING IS THE SOLE PROPERTY OF RAYCON INDUSTRIES. ANY REPRODUCTION IN PART OR AS A WHOLE WITHOUT THE WRITTEN PERMISSION OF RAYCON INDUSTRIES IS PROHIBITED.

		UNLESS OTHERWISE SPECIFIED:		NAME	DATE	<b>RAYCON INDUSTRIES</b>	
		DIMENSIONS ARE IN INCHES TOLERANCES: FRACTIONAL ± ANGULAR: MACH ± BEND ± TWO PLACE DECIMAL ± THREE PLACE DECIMAL ±		DRAWN	JW	17/12/26	TITLE:
		INTERPRET GEOMETRIC TOLERANCING PER:		CHECKED			<b>VENTURI 3 INCH</b>
		MATERIAL		ENG APPR.			
NEXT ASSY	USED ON	FINISH		MFG APPR.			SIZE <b>B</b>
APPLICATION		DO NOT SCALE DRAWING		Q.A.			DWG. NO. <b>VTR301</b>
				COMMENTS:			REV <b>-</b>
							SCALE: 1:4
							WT: 5.03 LBS.
							SHEET 1 OF 1

4

3

2

1