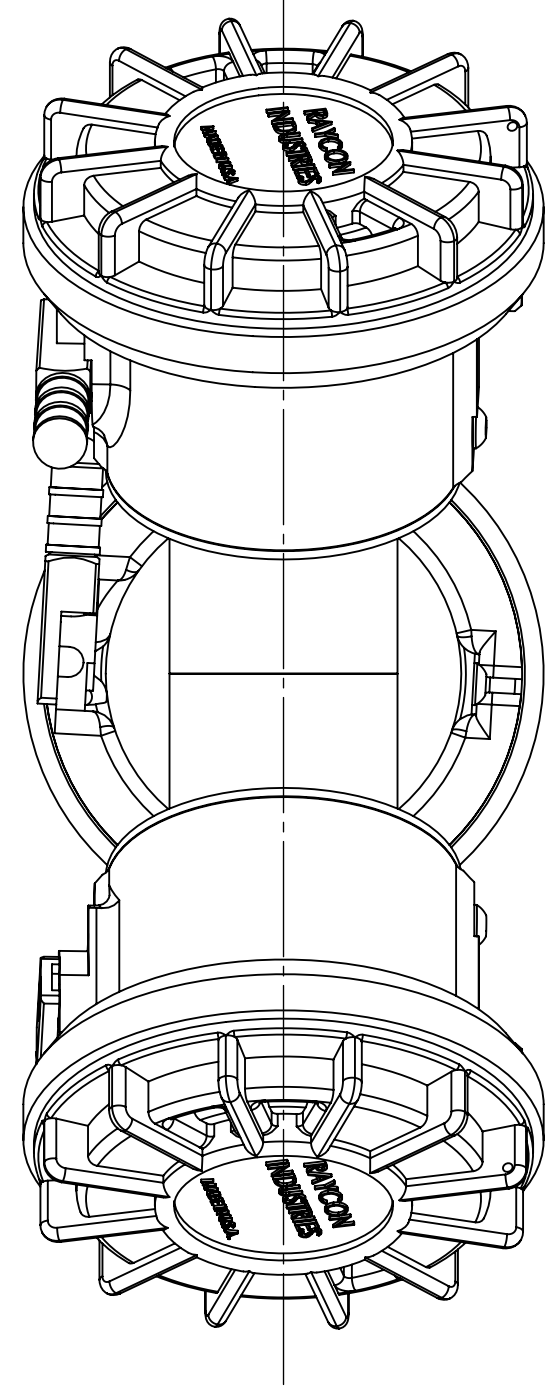
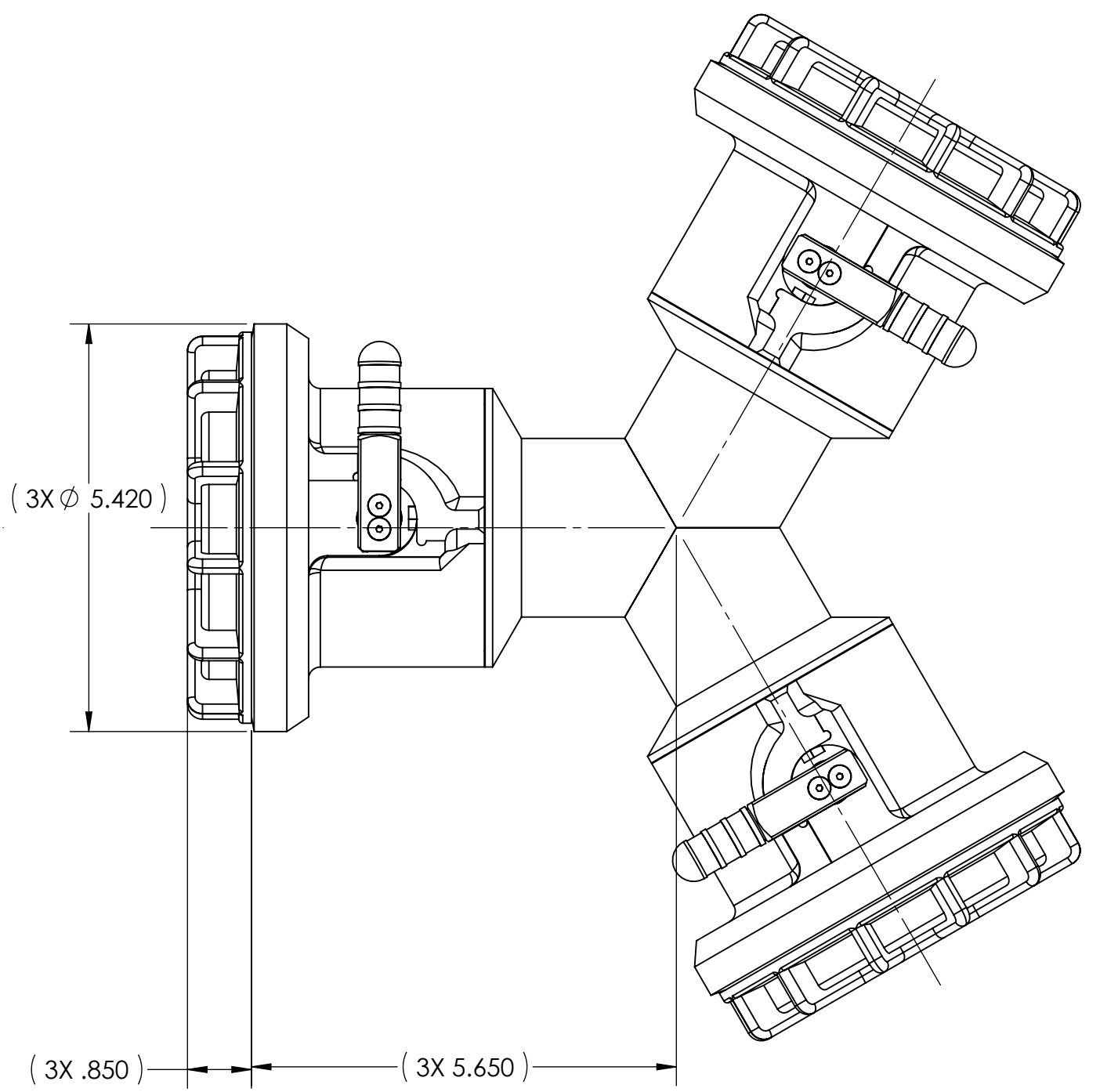
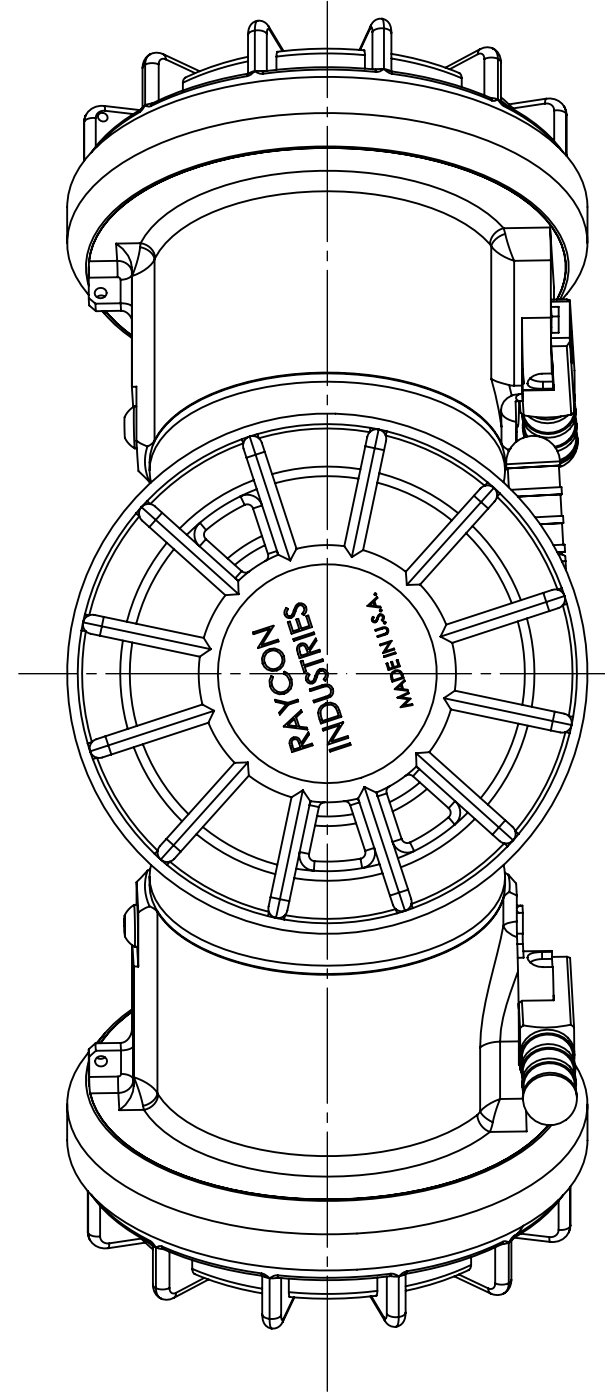


8 7 6 5 4 3 2 1

D  
C  
B  
A

D  
C  
B  
A



(3X .850) (3X 5.650)

2. QUALIFIED PER A-A-59377  
 1. P/N USC159, EXTERNAL COLOR TAN  
 P/N USC159G, EXTERNAL COLOR GREEN

**PROPRIETARY AND CONFIDENTIAL**  
 THE INFORMATION CONTAINED IN THIS DRAWING IS THE SOLE PROPERTY OF RAYCON INDUSTRIES. ANY REPRODUCTION IN PART OR AS A WHOLE WITHOUT THE WRITTEN PERMISSION OF RAYCON INDUSTRIES IS PROHIBITED.

		UNLESS OTHERWISE SPECIFIED:		NAME	DATE	<b>RAYCON INDUSTRIES</b>	
		DIMENSIONS ARE IN INCHES		DRAWN	JW		
		TOLERANCES:		CHECKED			TITLE:
		FRACTIONAL ±		ENG APPR.			Y, UNISEX COUPLING
		ANGULAR: MACH ± BEND ±		MFG APPR.			3", VALVED
		TWO PLACE DECIMAL ±		Q.A.			SIZE
		THREE PLACE DECIMAL ±		COMMENTS:			DWG. NO.
		INTERPRET GEOMETRIC TOLERANCING PER:					<b>B</b>
		MATERIAL					USC159
		FINISH					REV
NEXT ASSY	USED ON						-
APPLICATION		DO NOT SCALE DRAWING					SCALE: 1:2
							WEIGHT:
							SHEET 1 OF 1

8 7 6 5 4 3 2 1