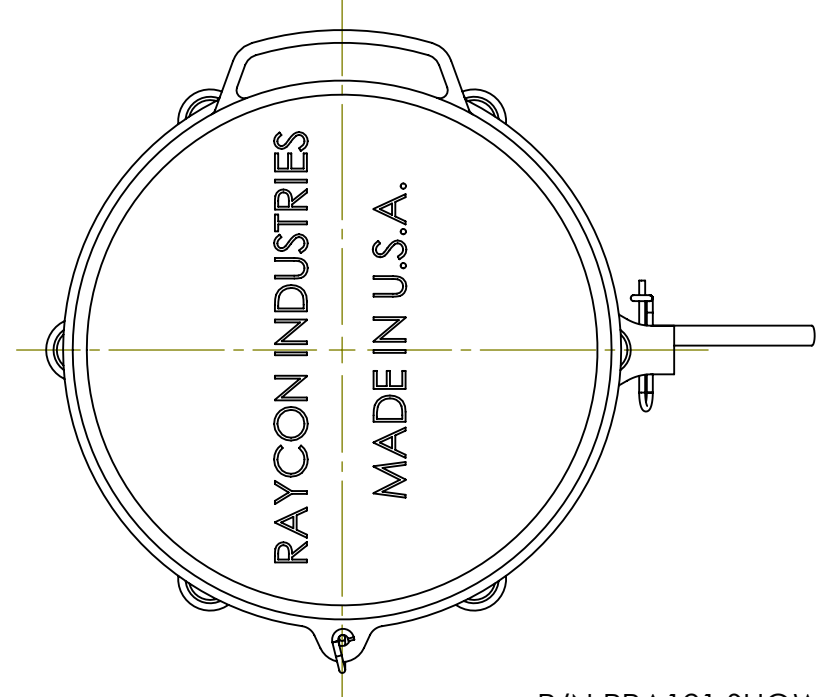
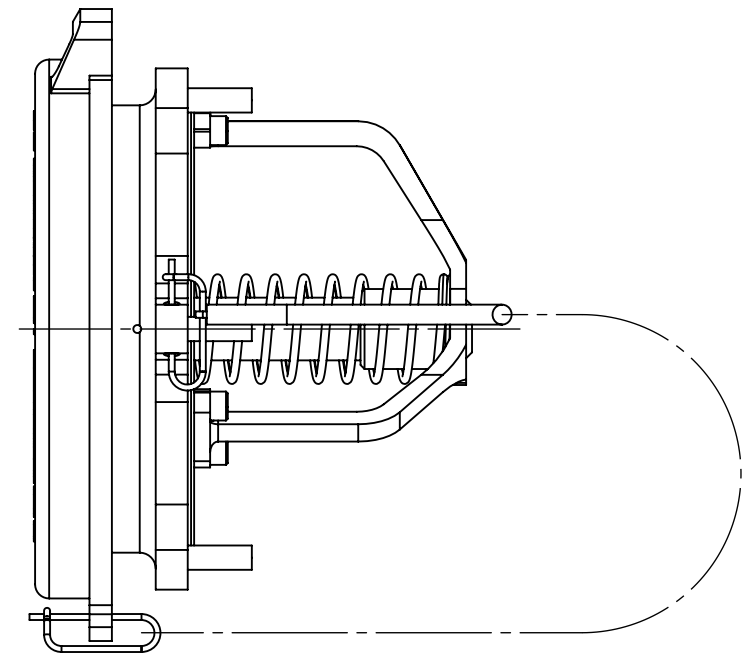


P/N PRA121E SHOWN



P/N PRA121 SHOWN



ITEM 8	E	PSC375	WITH PRESSURE CAP
	D	RJA1200	WITH FJORD STYLE DUST CAP
	STD	RJA1055	WITH STANDARD RAYCON DUST CAP
	OPTION	PART NO.	DESCRIPTIONS

EXAMPLE :
 P/N PRA121 = BOTTOM LOADING ADAPTER WITH STANDARD RAYCON DUST CAP
 P/N PRA121D = BOTTOM LOADING ADAPTER WITH FJORD STYLE DUST CAP
 P/N PRA121E = BOTTOM LOADING ADAPTER WITH PRESSURE CAP

1. BOTTOM LOADING ADAPTER DESIGNED IN COMPLIANCE TO REQUIREMENTS PER MS24484

PROPRIETARY AND CONFIDENTIAL
 THE INFORMATION CONTAINED IN THIS DRAWING IS THE SOLE PROPERTY OF RAYCON INDUSTRIES. ANY REPRODUCTION IN PART OR AS A WHOLE WITHOUT THE WRITTEN PERMISSION OF RAYCON INDUSTRIES IS PROHIBITED.

		UNLESS OTHERWISE SPECIFIED:		NAME	DATE	RAYCON INDUSTRIES	
		DIMENSIONS ARE IN INCHES TOLERANCES: FRACTIONAL ± ANGULAR: MACH ± BEND ± TWO PLACE DECIMAL ± THREE PLACE DECIMAL ±		DRAWN	JW 12/04/04		TITLE: BOTTOM LOADING ADAPTER
		INTERPRET GEOMETRIC TOLERANCING PER:		CHECKED			
		MATERIAL		ENG APPR.			
		FINISH		MFG APPR.		Q.A.	
NEXT ASSY	USED ON			COMMENTS:		SIZE	
APPLICATION		DO NOT SCALE DRAWING				DWG. NO.	
						REV	
						B	
						PRA121	
						-	
						SCALE: 1:2	
						WEIGHT:	
						SHEET 1 OF 1	