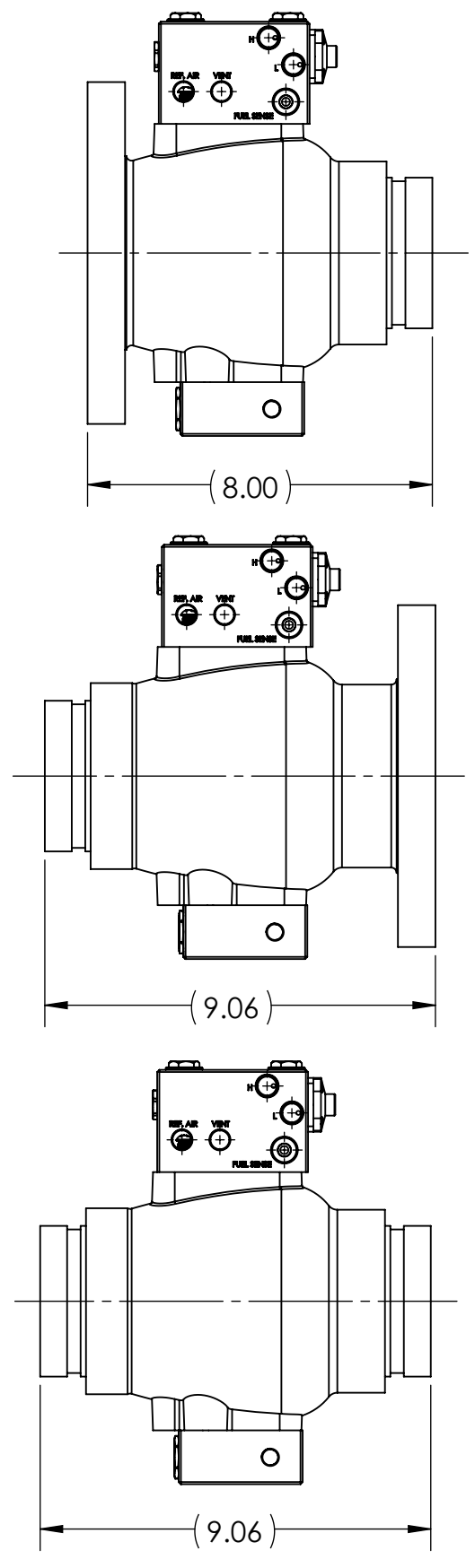
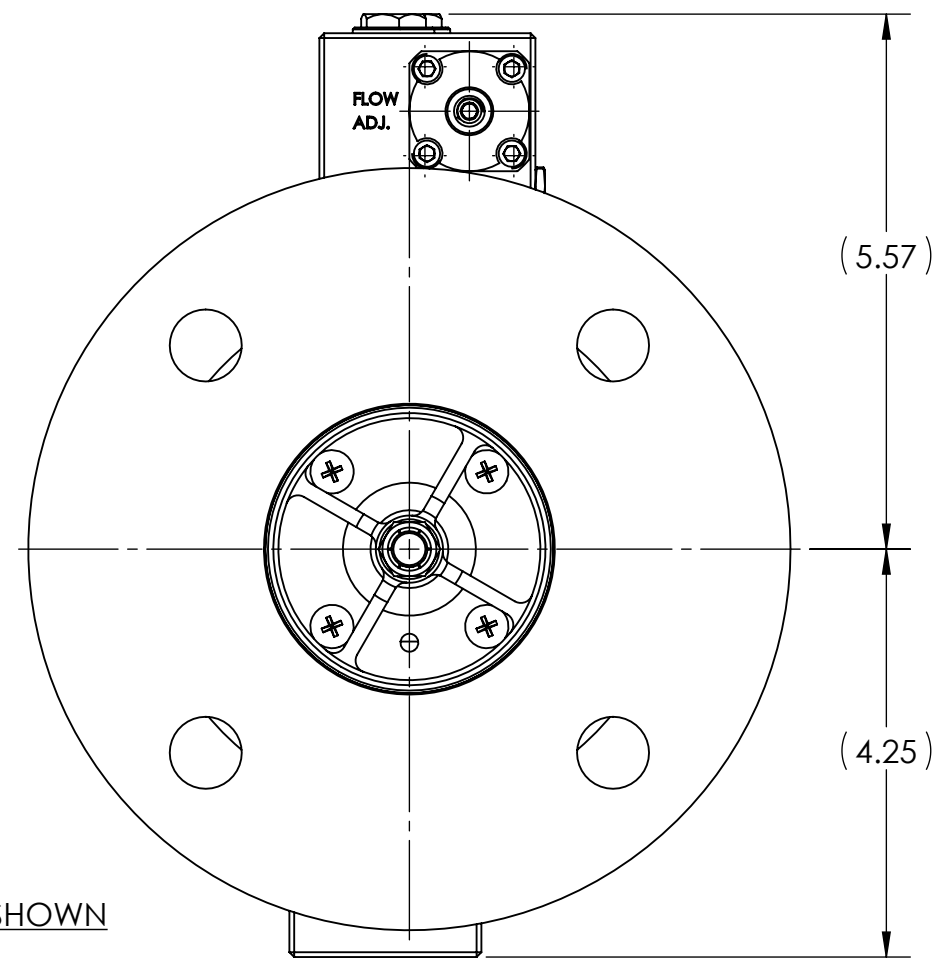


P/N PCV353FF SHOWN



ITEM NO.	PART NUMBER	DESCRIPTION	QTY.			
	PCV353FF	INLINE VALVE	X			
	PCV353FV			X		
	PCV353VF				X	
	PCV353VV					X
1	RJA1110FF	VALVE ASSEMBLY	1			
	RJA1110FV			1		
	RJA1110VF				1	
	RJA1110VV					1
2	RJA1257-12VDC	MANIFOLD, FLOW RATE CONTROL	1	1	1	1
3	RJA1086	MANIFOLD, OUTLET PRESS RELIEF	1	1	1	1

PROPRIETARY AND CONFIDENTIAL
 THE INFORMATION CONTAINED IN THIS DRAWING IS THE SOLE PROPERTY OF RAYCON INDUSTRIES. ANY REPRODUCTION IN PART OR AS A WHOLE WITHOUT THE WRITTEN PERMISSION OF RAYCON INDUSTRIES IS PROHIBITED.

UNLESS OTHERWISE SPECIFIED:		NAME	DATE
DIMENSIONS ARE IN INCHES	FRACTIONAL	DRAWN	JW
TOLERANCES:	ANGULAR: MACH BEND	CHECKED	
FRACTIONAL	THREE PLACE DECIMAL	ENG APPR.	
ANGULAR: MACH BEND	TWO PLACE DECIMAL	MFG APPR.	
TWO PLACE DECIMAL		Q.A.	
THREE PLACE DECIMAL		COMMENTS:	
INTERPRET GEOMETRIC TOLERANCING PER:			
MATERIAL			
FINISH			
APPLICATION	DO NOT SCALE DRAWING		

RAYCON INDUSTRIES

TITLE: **INLINE VALVE**
 3 INCH, PNEUMATIC OPERATED WITH FLOW RATE CONTROL & OUTLET PRESSURE RELIEF

SIZE DWG. NO. REV
C **PCV353** -

SCALE: 1:4 WEIGHT: SHEET 1 OF 1