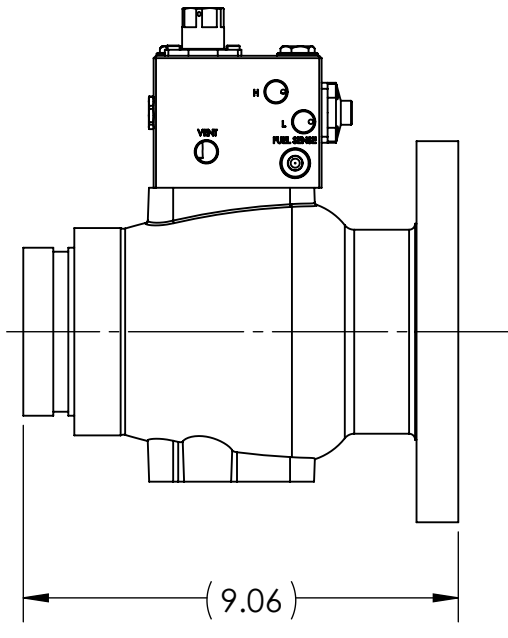
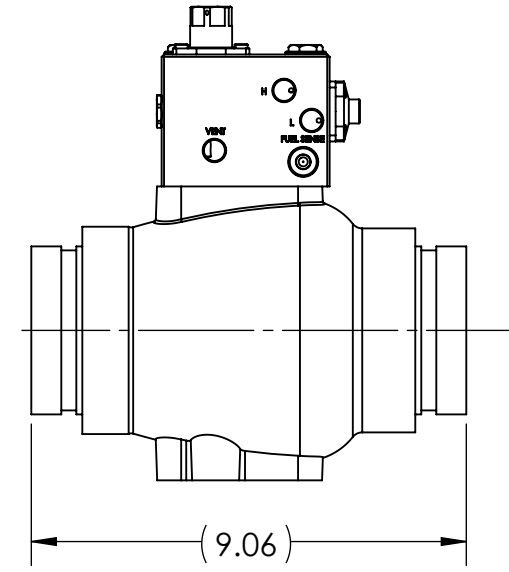


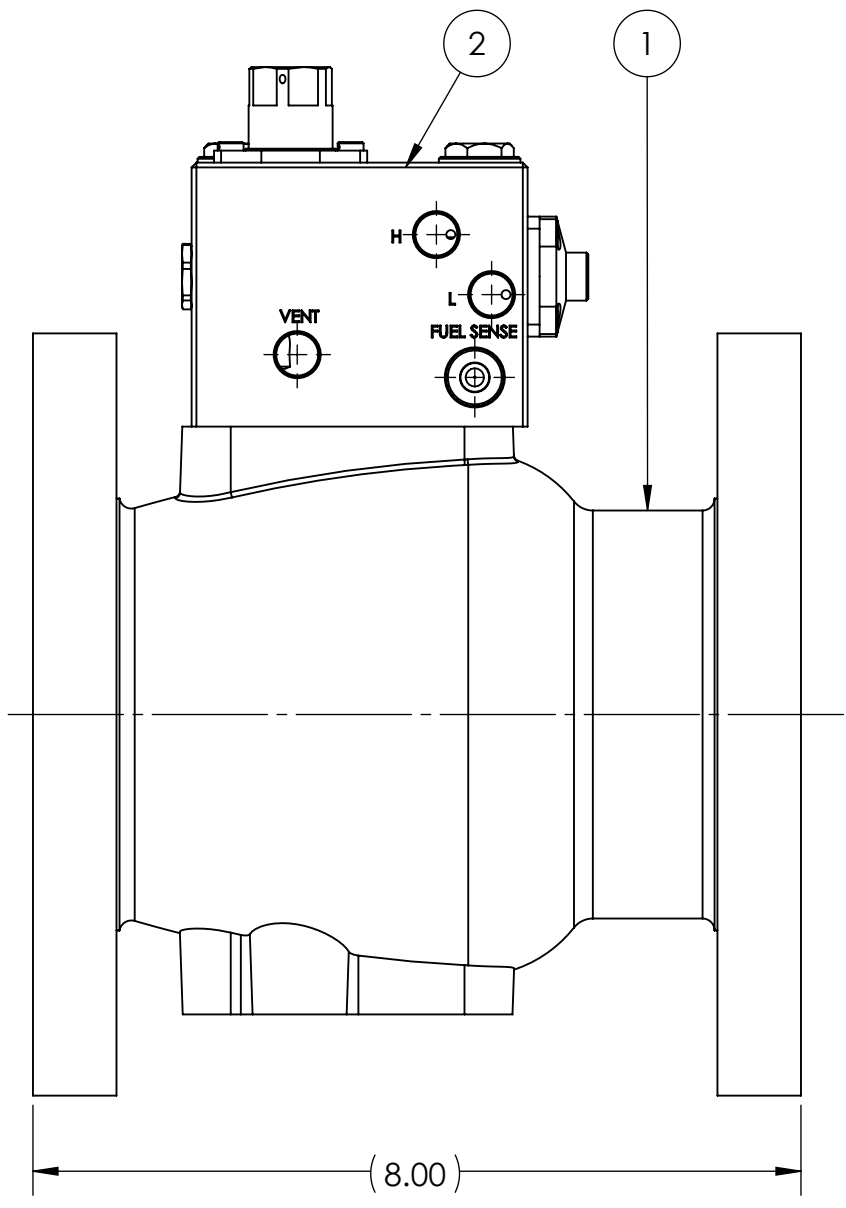
P/N PCV351FV SHOWN



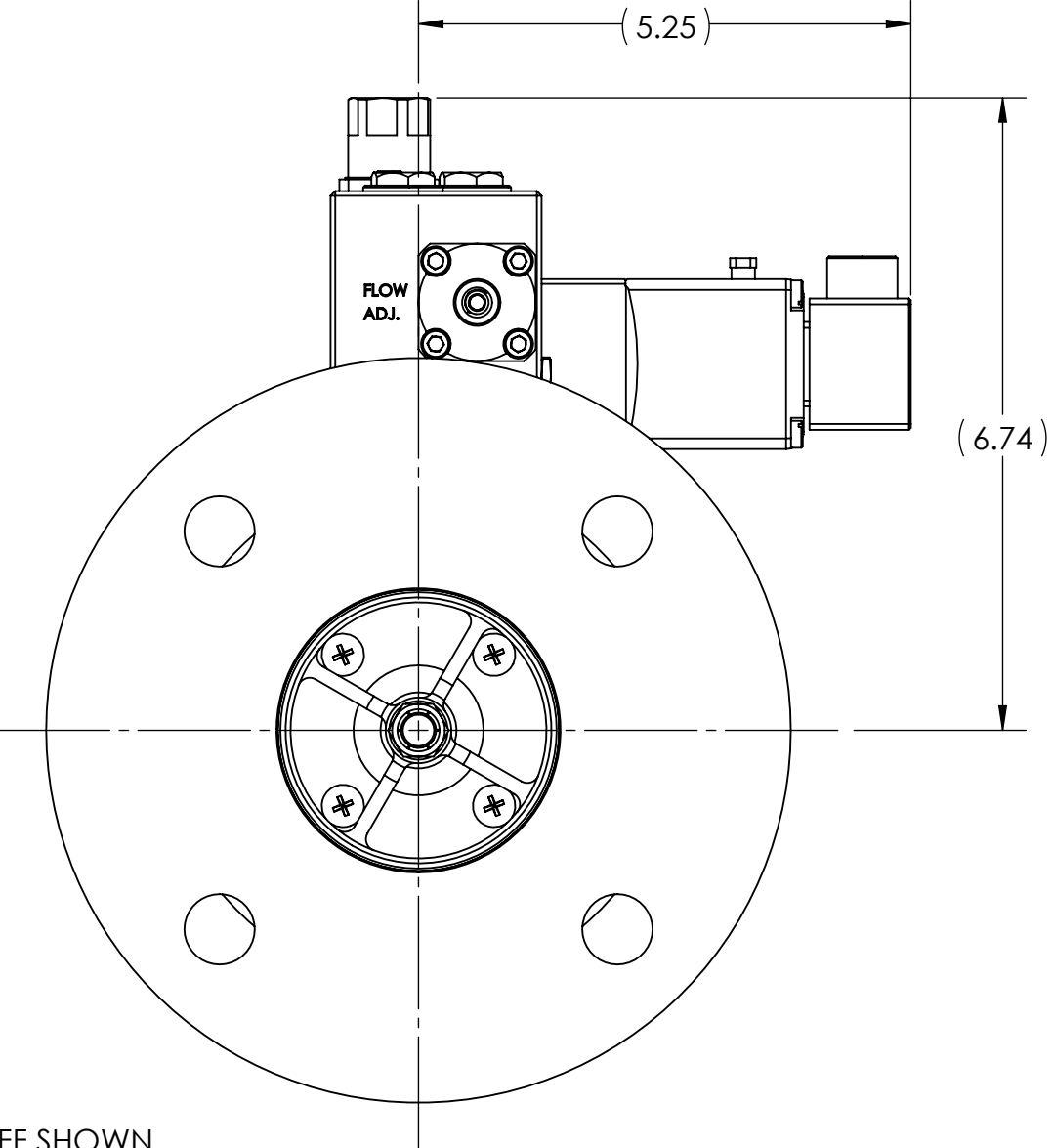
P/N PCV351VF SHOWN



P/N PCV351VV SHOWN



P/N PCV351FF SHOWN



ITEM NO.	PART NUMBER	DESCRIPTION	QTY.													
			1	2	3	4	5	6	7	8	9	10				
	PCV351FF-12VDC	INLINE VALVE	X													
	PCV351FF-24VDC			X												
	PCV351FV-12VDC				X											
	PCV351FV-24VDC					X										
	PCV351VF-12VDC						X									
	PCV351VF-24VDC							X								
	PCV351VV-12VDC								X							
	PCV351VV-24VDC									X						
1	RJA1112FF	VALVE ASSEMBLY	1	1												
	RJA1112FV				1	1										
	RJA1112VF						1	1								
	RJA1112VV								1	1						
2	RJA1257-12VDC	MANIFOLD, INLINE VALVE,	1		1											
	RJA1257-24VDC			1		1										

**PROPRIETARY AND CONFIDENTIAL**  
 THE INFORMATION CONTAINED IN THIS DRAWING IS THE SOLE PROPERTY OF RAYCON INDUSTRIES. ANY REPRODUCTION IN PART OR AS A WHOLE WITHOUT THE WRITTEN PERMISSION OF RAYCON INDUSTRIES IS PROHIBITED.

UNLESS OTHERWISE SPECIFIED:	NAME	DATE
DIMENSIONS ARE IN INCHES	DRAWN	JW
TOLERANCES:	CHECKED	20/02/07
FRACTIONAL	ENG APPR.	
ANGULAR: MACH BEND	MFG APPR.	
TWO PLACE DECIMAL	Q.A.	
THREE PLACE DECIMAL	COMMENTS:	
INTERPRET GEOMETRIC TOLERANCING PER:		
MATERIAL		
FINISH		
APPLICATION		
DO NOT SCALE DRAWING		

**RAYCON INDUSTRIES**

TITLE:  
**INLINE VALVE**  
 3 INCH, PNEUMATIC OPERATED  
 WITH PRESSURE & FLOW RATE CONTROL

SIZE DWG. NO. REV  
**C** **PCV351** -

SCALE: 1:4 WEIGHT: SHEET 1 OF 1