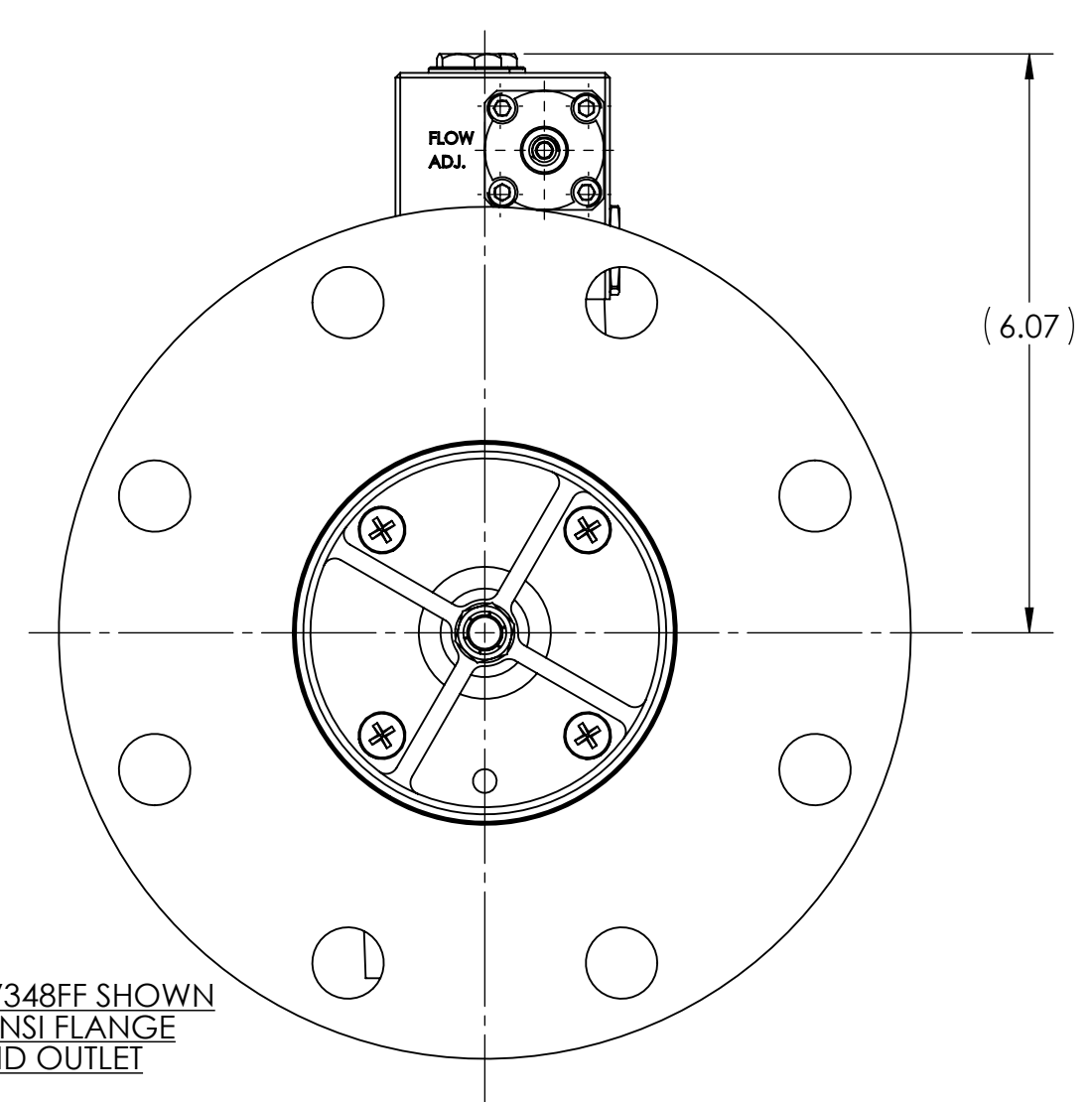
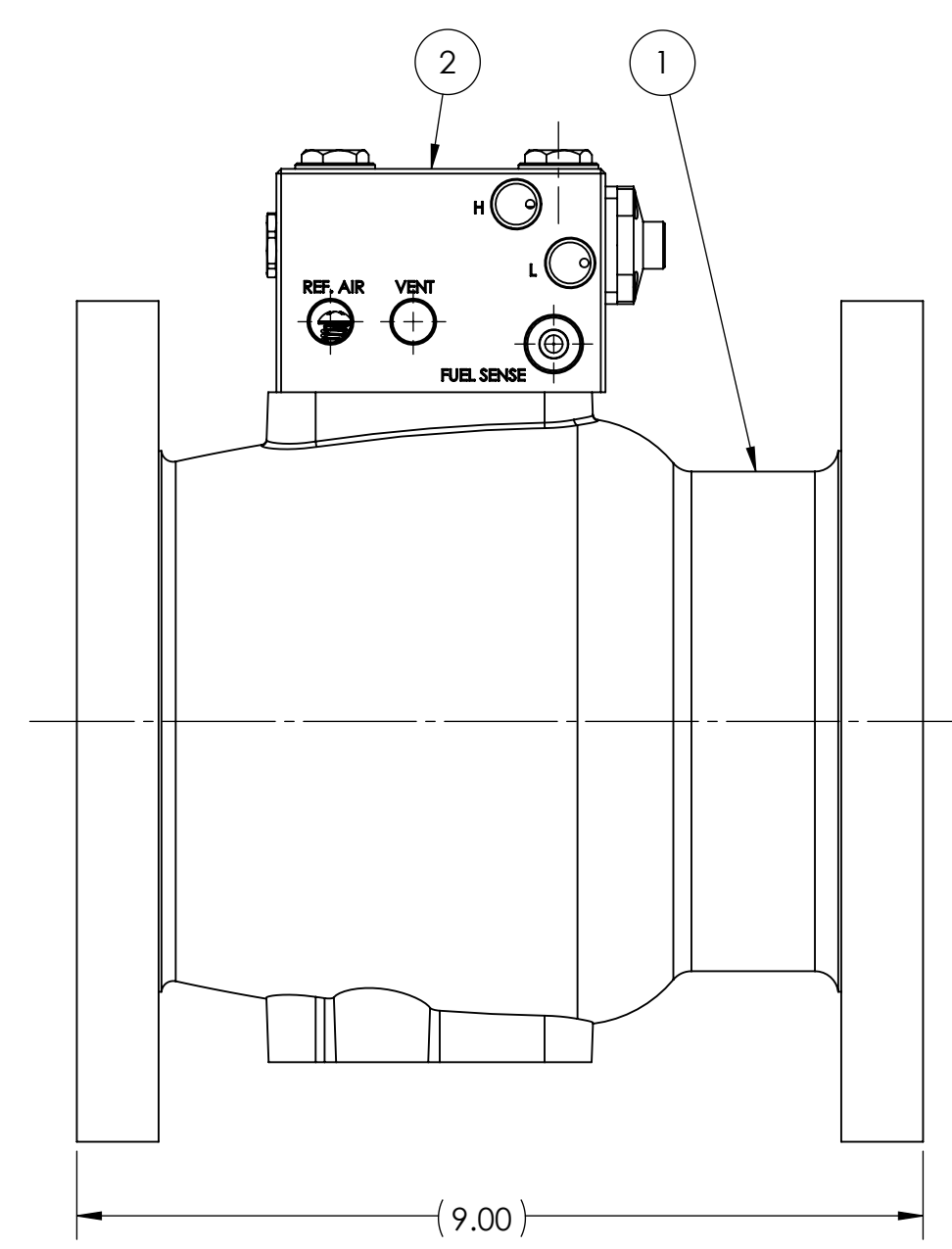
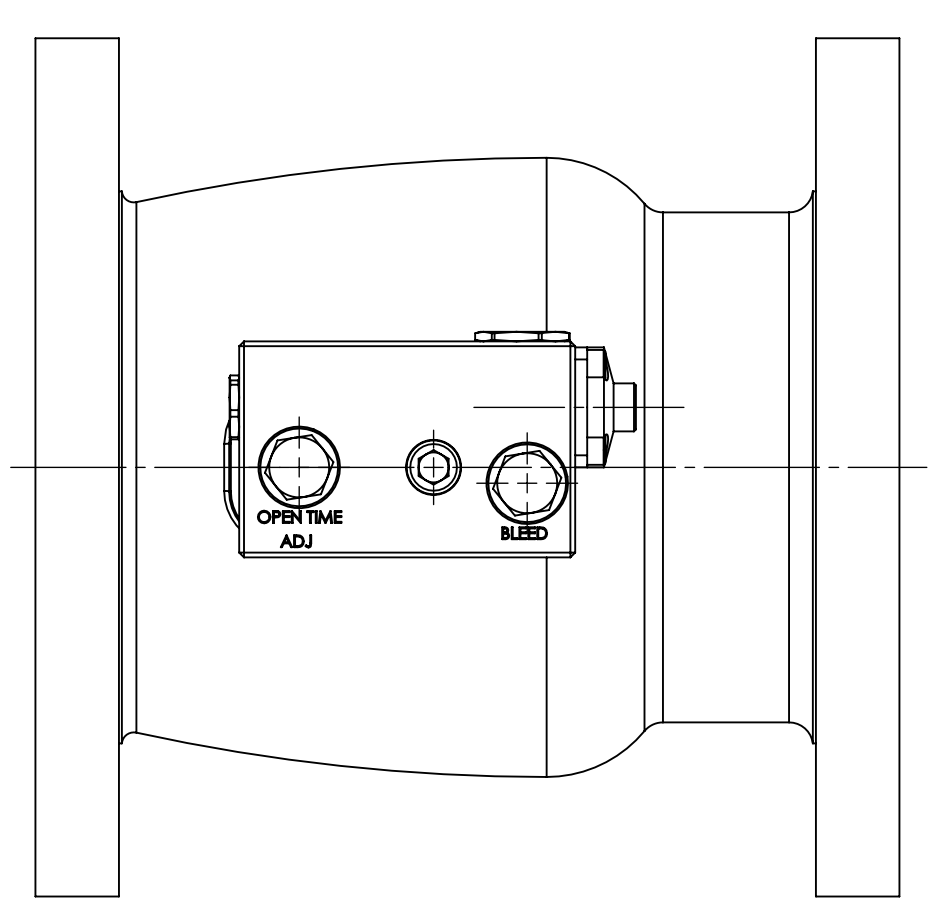
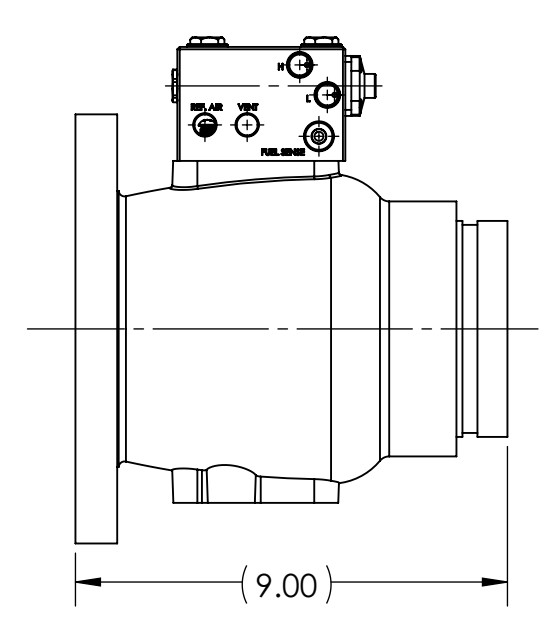


8 7 6 5 4 3 2 1

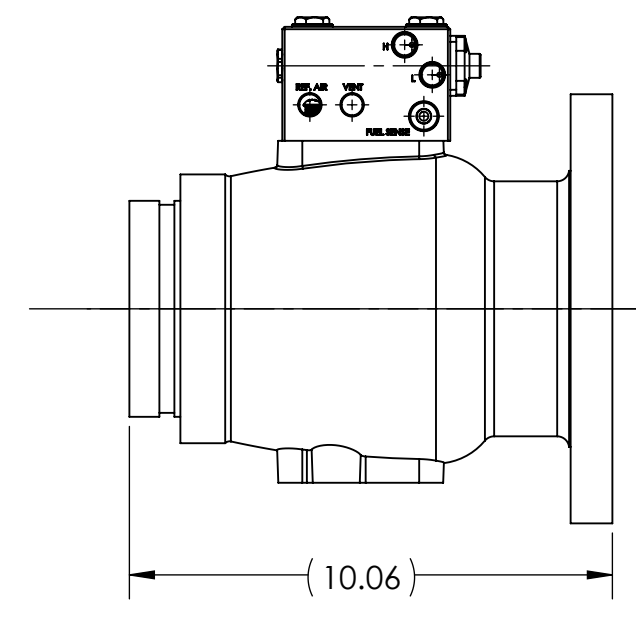
F
E
D
C
B
A



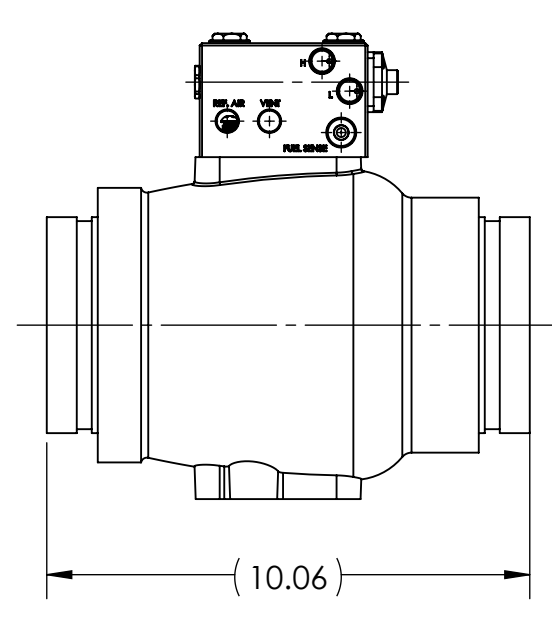
P/N PCV348FF SHOWN
150 LB ANSI FLANGE
INLET AND OUTLET



P/N PCV348FV SHOWN
150 LB FLANGE LET
VICTAULIC OUTLET



P/N PCV348VF SHOWN
VICTAULIC INLET
150 LB ANSI FLANGE OUTLET



P/N PCV348VV SHOWN
VICTAULIC INLET AND OUTLET

ITEM NO.	PART NUMBER	DESCRIPTION	QTY.			
	PCV348FF	INLINE VALVE	X			
	PCV348FV			X		
	PCV348VF				X	
	PCV348VV					X
1	RJA1074FF	VALVE ASSEMBLY	1			
	RJA1074FV			1		
	RJA1074VF				1	
	RJA1074VV					1
2	RJA1242	MANIFOLD, INLINE VALVE, PNEUMATIC OPERATED, WITH PRESSURE AND FLOW RATE CONTROL	1	1	1	1

PROPRIETARY AND CONFIDENTIAL
THE INFORMATION CONTAINED IN THIS DRAWING IS THE SOLE PROPERTY OF RAYCON INDUSTRIES. ANY REPRODUCTION IN PART OR AS A WHOLE WITHOUT THE WRITTEN PERMISSION OF RAYCON INDUSTRIES IS PROHIBITED.

UNLESS OTHERWISE SPECIFIED:		NAME	DATE
DIMENSIONS ARE IN INCHES		DRAWN	JW 20/02/07
TOLERANCES:		CHECKED	
FRACTIONAL		ENG APPR.	
ANGULAR: MACH BEND		MFG APPR.	
TWO PLACE DECIMAL		Q.A.	
THREE PLACE DECIMAL		COMMENTS:	
INTERPRET GEOMETRIC TOLERANCING PER:			
MATERIAL			
NEXT ASSY	USED ON		
APPLICATION	DO NOT SCALE DRAWING		

RAYCON INDUSTRIES

TITLE:
INLINE VALVE
4 INCH, PNEUMATIC OPERATED WITH PRESSURE & FLOW RATE CONTROL

SIZE DWG. NO. REV
C **PCV348** -

SCALE: 1:4 WEIGHT: SHEET 1 OF 1

8 7 6 5 4 3 2 1