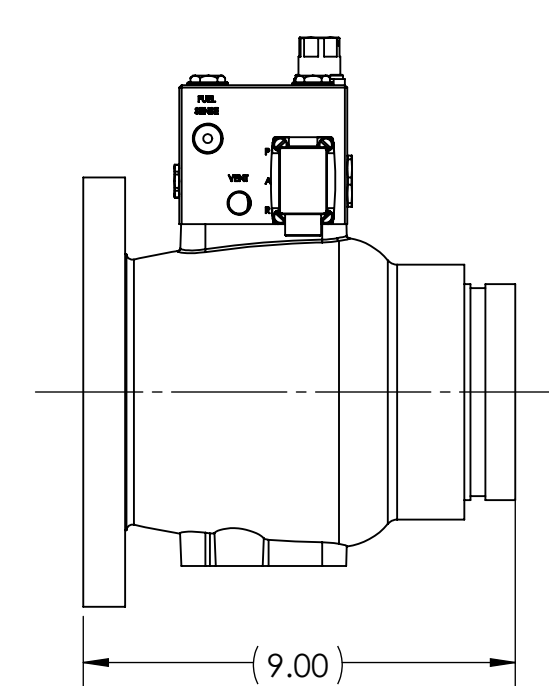
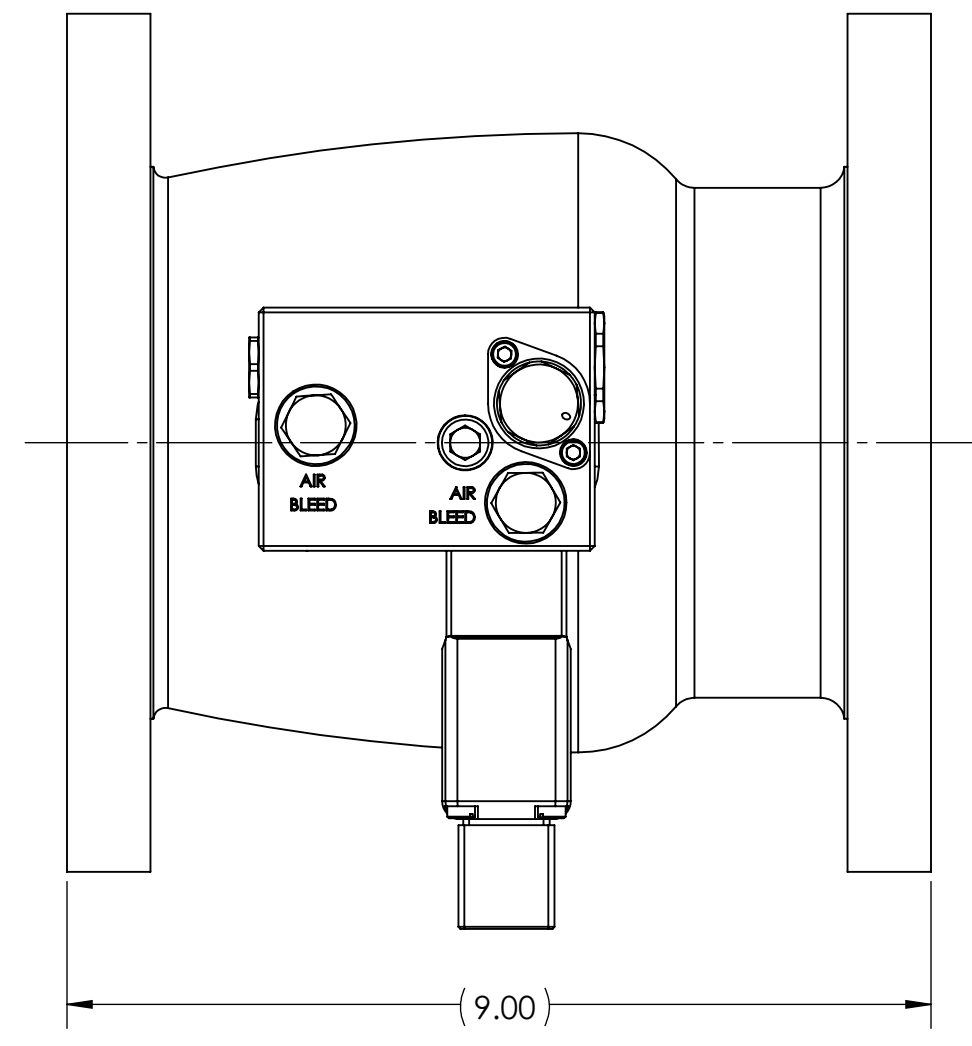
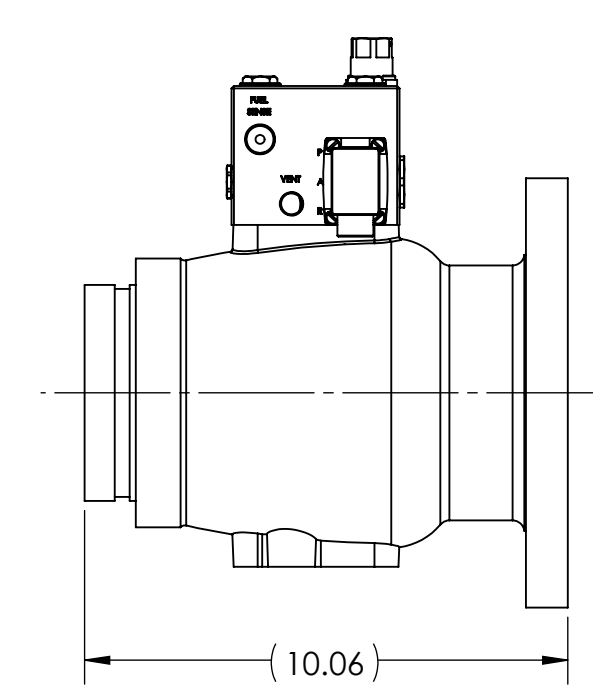


8 7 6 5 4 3 2 1

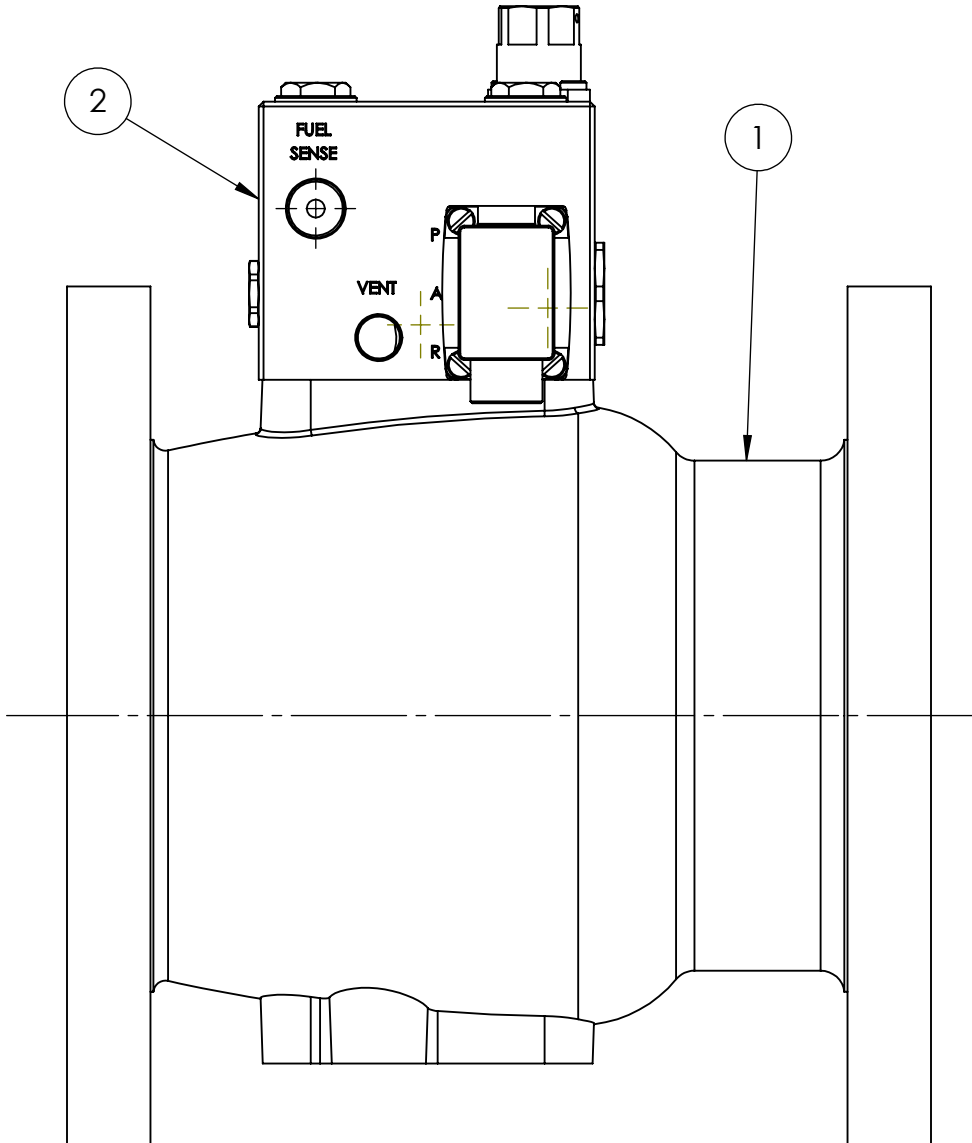
F E D C B A



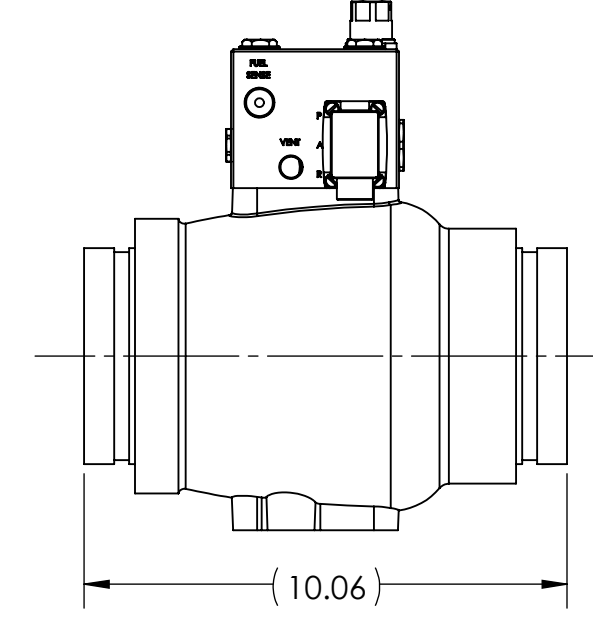
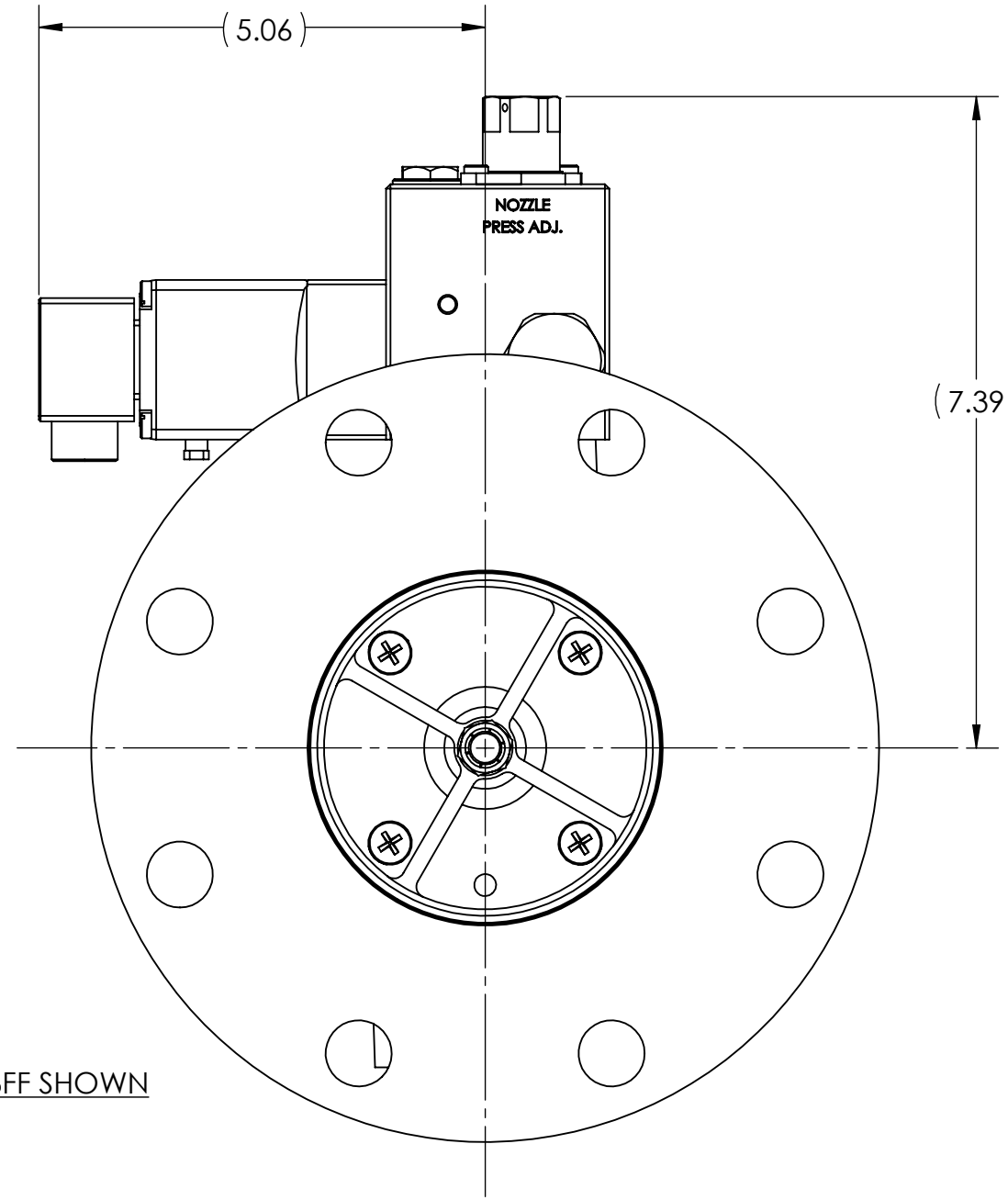
P/N PCV276FV SHOWN



P/N PCV276VF SHOWN



P/N PCV276FF SHOWN



P/N PCV276VV SHOWN

ITEM NO.	PART NUMBER	DESCRIPTION	QTY.						
1	PCV276FF-12VDC	BYPASS VALVE	X						
	PCV276FF-24VDC			X					
	PCV276FV-12VDC				X				
	PCV276FV-24VDC					X			
	PCV276VF-12VDC						X		
	PCV276VF-24VDC							X	
	PCV276VV-12VDC								X
	PCV276VV-24VDC								
2	RJA1074FF	VALVE ASSEMBLY	1	1					
	RJA1074FV				1	1			
	RJA1074VF						1	1	
	RJA1074VV							1	1
2	RJA1081-12VDC	MANIFOLD ASSEMBLY	1	1	1	1			
	RJA1081-24VDC		1	1	1	1			

**PROPRIETARY AND CONFIDENTIAL**  
 THE INFORMATION CONTAINED IN THIS DRAWING IS THE SOLE PROPERTY OF RAYCON INDUSTRIES. ANY REPRODUCTION IN PART OR AS A WHOLE WITHOUT THE WRITTEN PERMISSION OF RAYCON INDUSTRIES IS PROHIBITED.

UNLESS OTHERWISE SPECIFIED: DIMENSIONS ARE IN INCHES TOLERANCES: FRACTIONAL ± ANGULAR: MACH ± BEND ± TWO PLACE DECIMAL ± THREE PLACE DECIMAL ±	DRAWN NAME JW	DATE 15/08/22
INTERPRET GEOMETRIC TOLERANCING PER: MATERIAL	CHECKED	
FINISH	ENG APPR.	
APPLICATION	MFG APPR.	
DO NOT SCALE DRAWING	Q.A.	
	COMMENTS:	

**RAYCON INDUSTRIES**

TITLE:  
**BYPASS VALVE**  
 4 INCH, ELECTRO-HYDRAULIC OPERATED WITHOUT PUMP PRESSURE CONTROL

SIZE DWG. NO. REV  
**C** PCV276 -

SCALE: 1:4 WEIGHT: SHEET 1 OF 1