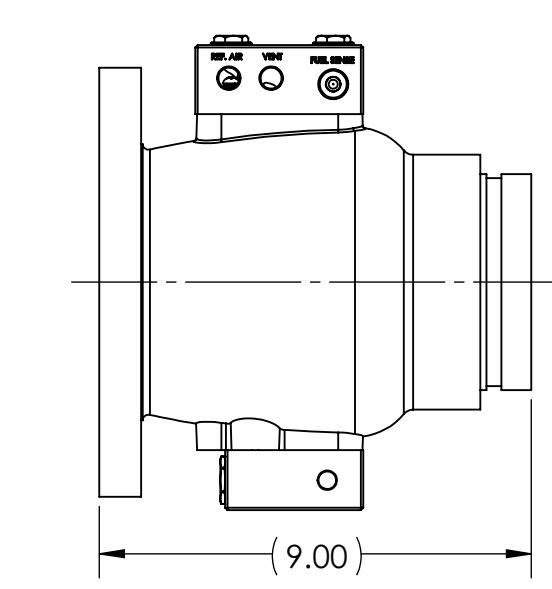
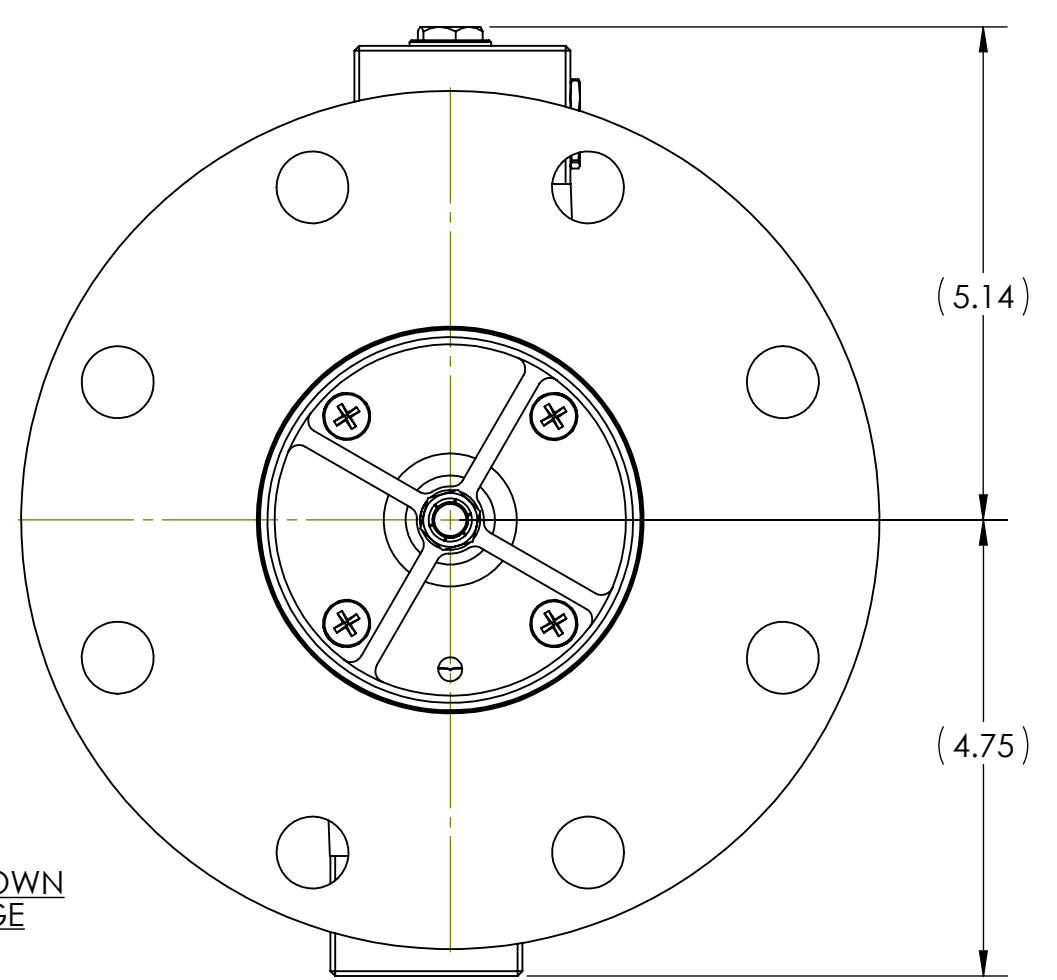
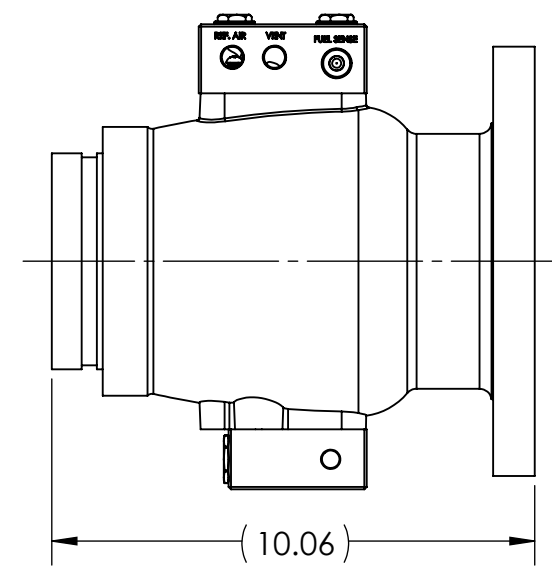


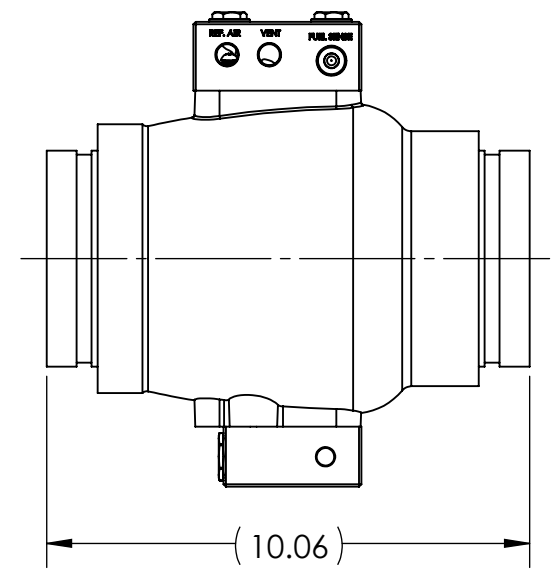
P/N PCV213FF SHOWN  
150 LB ANSI FLANGE  
INLET AND OUTLET



P/N PCV213FV SHOWN  
150 LB FLANGE LET  
VICTAULIC OUTLET



P/N PCV213VF SHOWN  
VICTAULIC INLET  
150 LB ANSI FLANGE OUTLET



P/N PCV213VV SHOWN  
VICTAULIC INLET AND OUTLET

ITEM NO.	PART NUMBER	DESCRIPTION	QTY.			
	PCV213FF	INLINE VALVE	X			
	PCV213FV			X		
	PCV213VF				X	
	PCV213VV					X
1	RJA1069FF	VALVE ASSEMBLY	1			
	RJA1069FV			1		
	RJA1069VF				1	
	RJA1069VV					1
2	RJA1070	MANIFOLD, INLINE VALVE	1	1	1	1
3	RJA1071	RELIEF VALVE	1	1	1	1

**PROPRIETARY AND CONFIDENTIAL**  
THE INFORMATION CONTAINED IN THIS DRAWING IS THE SOLE PROPERTY OF RAYCON INDUSTRIES. ANY REPRODUCTION IN PART OR AS A WHOLE WITHOUT THE WRITTEN PERMISSION OF RAYCON INDUSTRIES IS PROHIBITED.

UNLESS OTHERWISE SPECIFIED:		NAME	DATE
DIMENSIONS ARE IN INCHES		DRAWN	JW 15/05/20
TOLERANCES:		CHECKED	
FRACTIONAL ±		ENG APPR.	
ANGULAR: MACH ±		MFG APPR.	
TWO PLACE DECIMAL ±		Q.A.	
THREE PLACE DECIMAL ±		COMMENTS:	
INTERPRET GEOMETRIC TOLERANCING PER:			
MATERIAL			
FINISH			
NEXT ASSY	USED ON		
APPLICATION	DO NOT SCALE DRAWING		

**RAYCON INDUSTRIES**

TITLE:  
**INLINE VALVE**  
4 INCH, PNEUMATIC OPERATED  
WITH OUTLET PRESSURE RELIEF

SIZE DWG. NO. REV  
**C** **PCV213** -

SCALE: 1:4 WEIGHT: SHEET 1 OF 1