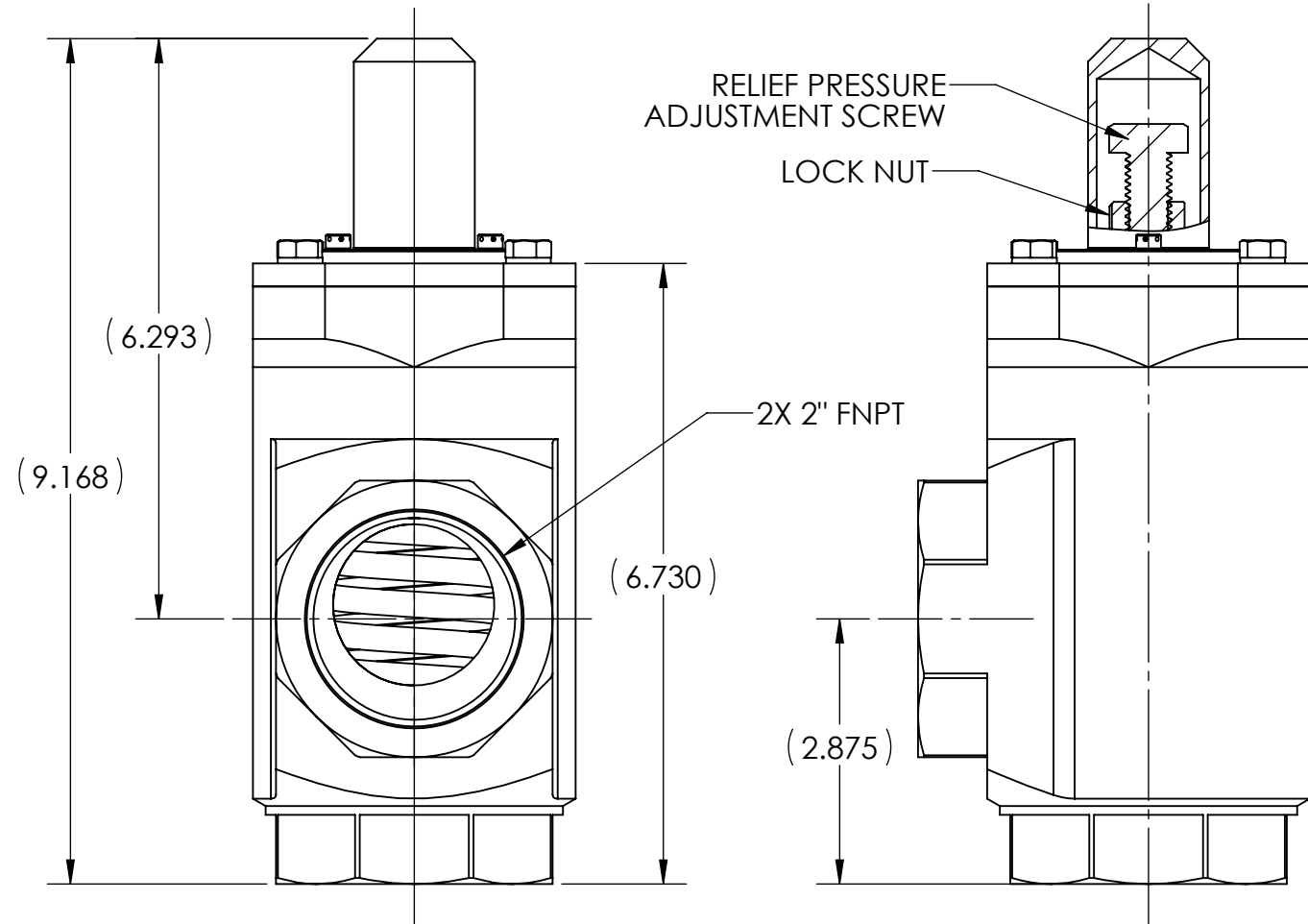
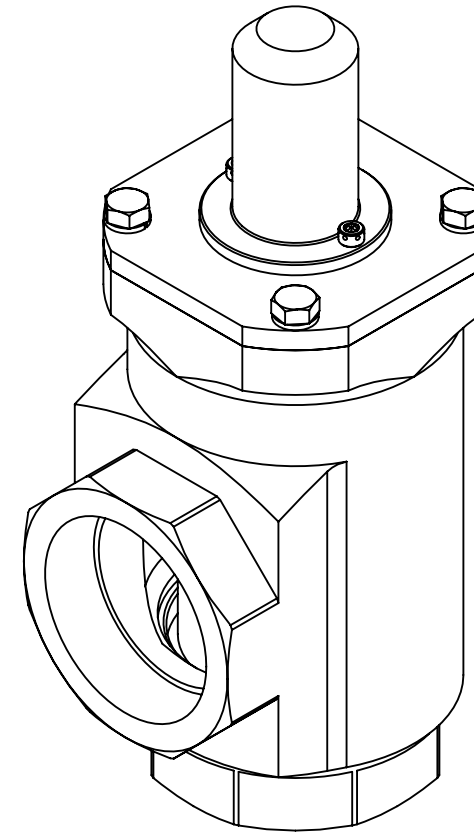
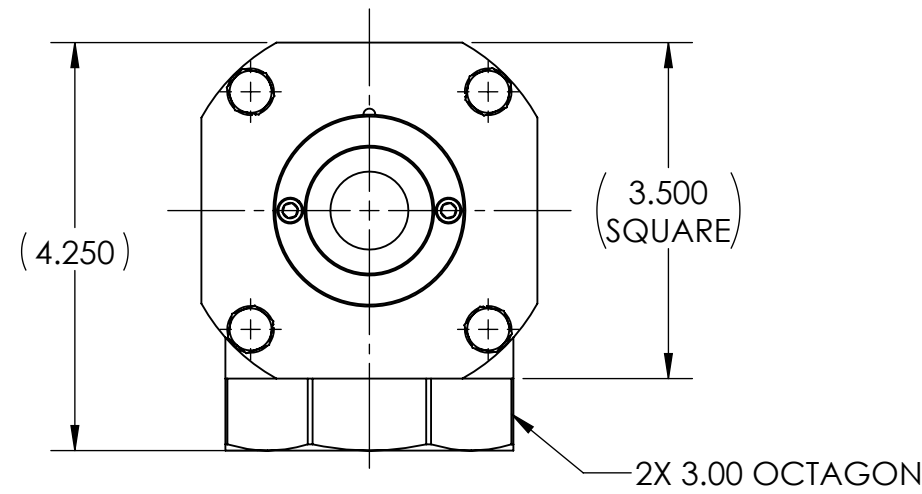


4

3

2

1



MATERIALS AND FINISHES  
 BODY AND VALVE: ALUMINUM ALLOY, ANODIZED  
 SEAL MATERIALS: BUNA N  
 HARDWARE AND SPRINGS: STAINLESS STEEL

BPV285B	9 - 58
BPV285A	47 - 87
BPV285	63 - 98
P/N	ADJUSTABLE RELIEF PRESSURE (NOMINAL, PSIG)

**PROPRIETARY AND CONFIDENTIAL**  
 THE INFORMATION CONTAINED IN THIS DRAWING IS THE SOLE PROPERTY OF RAYCON INDUSTRIES. ANY REPRODUCTION IN PART OR AS A WHOLE WITHOUT THE WRITTEN PERMISSION OF RAYCON INDUSTRIES IS PROHIBITED.

		UNLESS OTHERWISE SPECIFIED:		NAME	DATE	<b>RAYCON INDUSTRIES</b>	
		DIMENSIONS ARE IN INCHES		DRAWN	JW	17/11/03	TITLE:
		TOLERANCES:		CHECKED			<b>BYPASS VALVE</b>
		FRACTIONAL ±		ENG APPR.			<b>2 INCH</b>
		ANGULAR: MACH ± BEND ±		MFG APPR.			SIZE
		TWO PLACE DECIMAL ±		Q.A.			<b>B</b>
		THREE PLACE DECIMAL ±		COMMENTS:			DWG. NO.
		INTERPRET GEOMETRIC TOLERANCING PER:					<b>BPV285</b>
		MATERIAL					REV
		FINISH					-
NEXT ASSY	USED ON	APPLICATION		DO NOT SCALE DRAWING		SCALE: 1:4	WT: 5.03 LBS.
						SHEET 1 OF 1	

4

3

2

1