

4

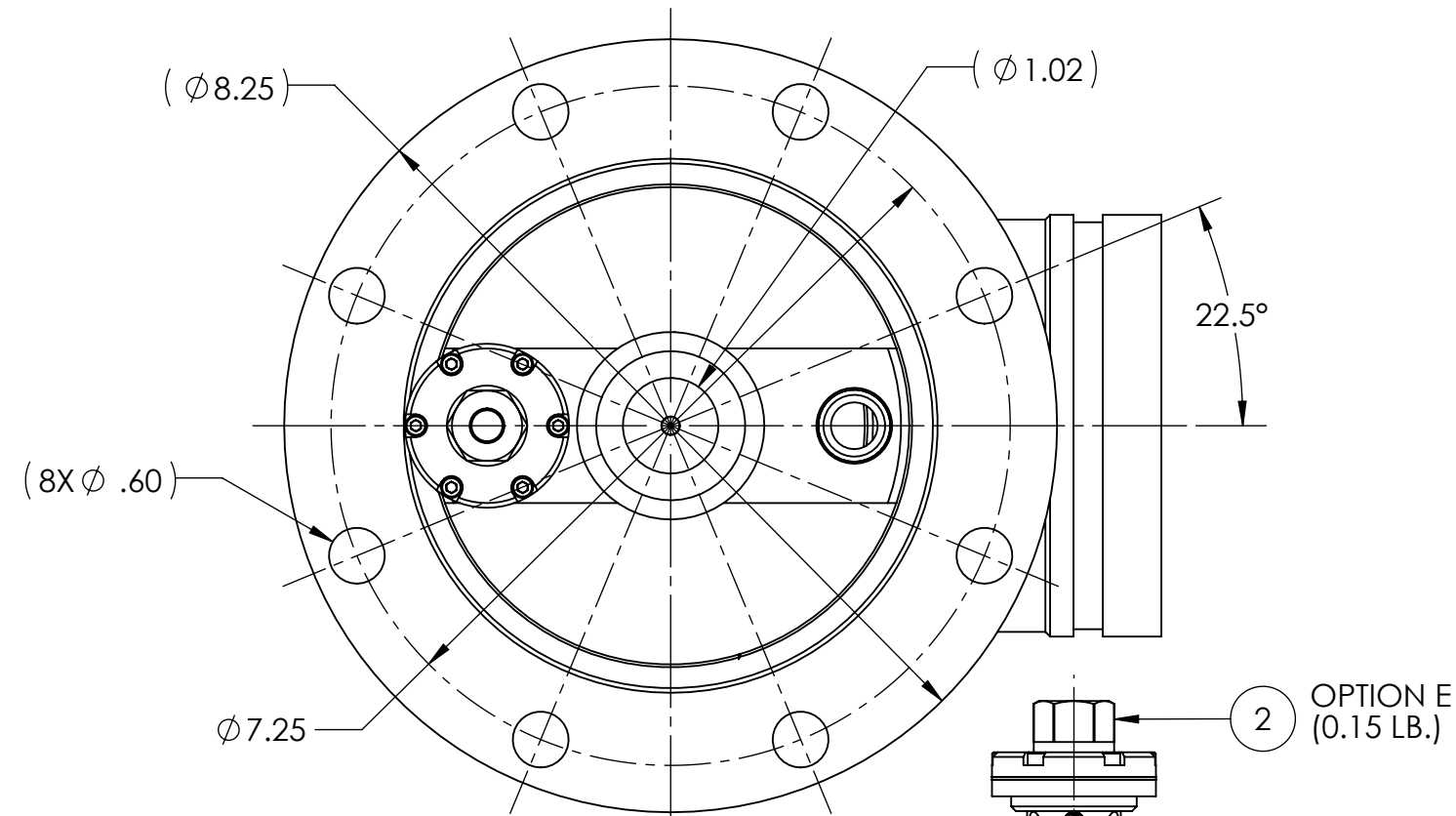
3

2

1

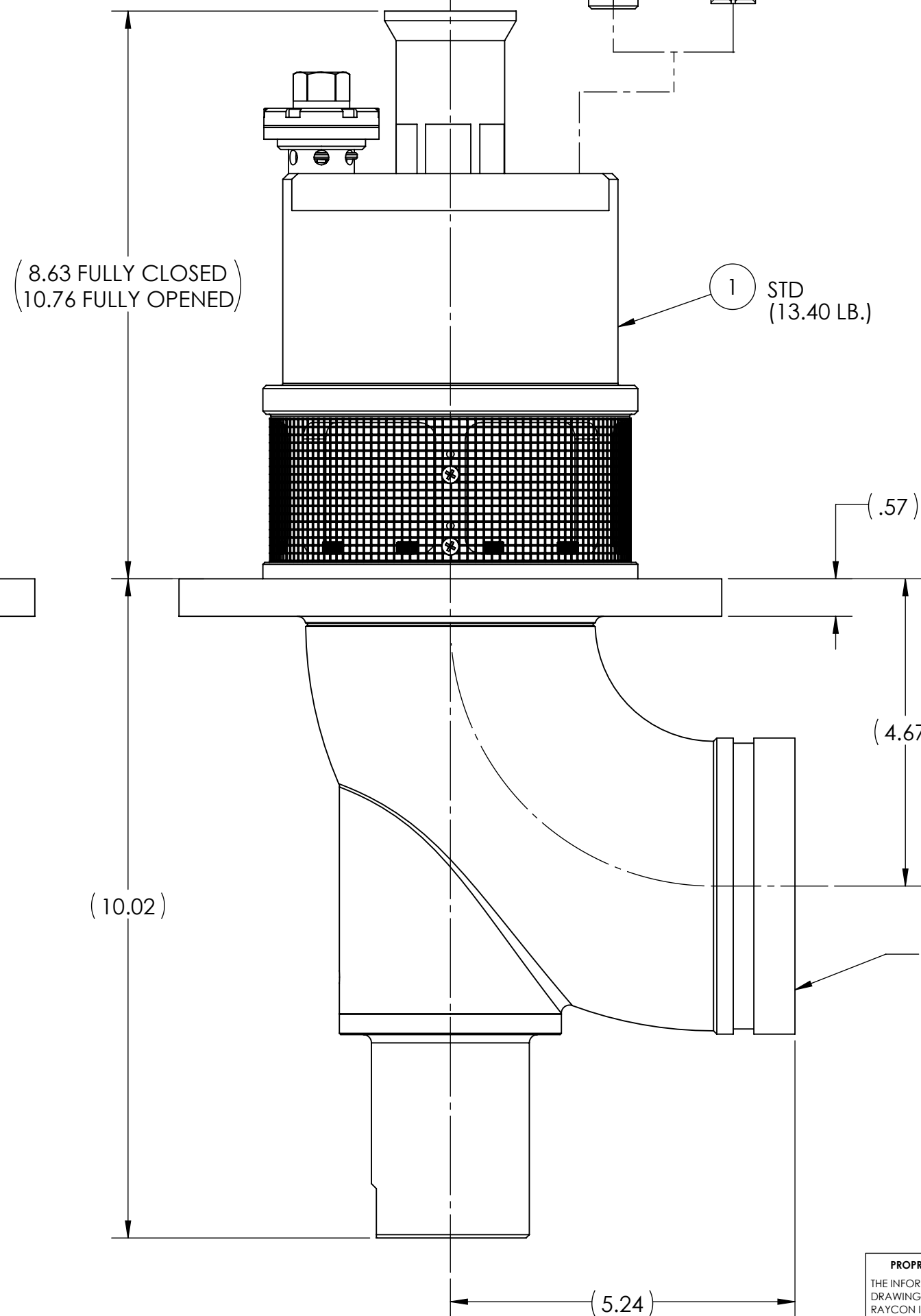
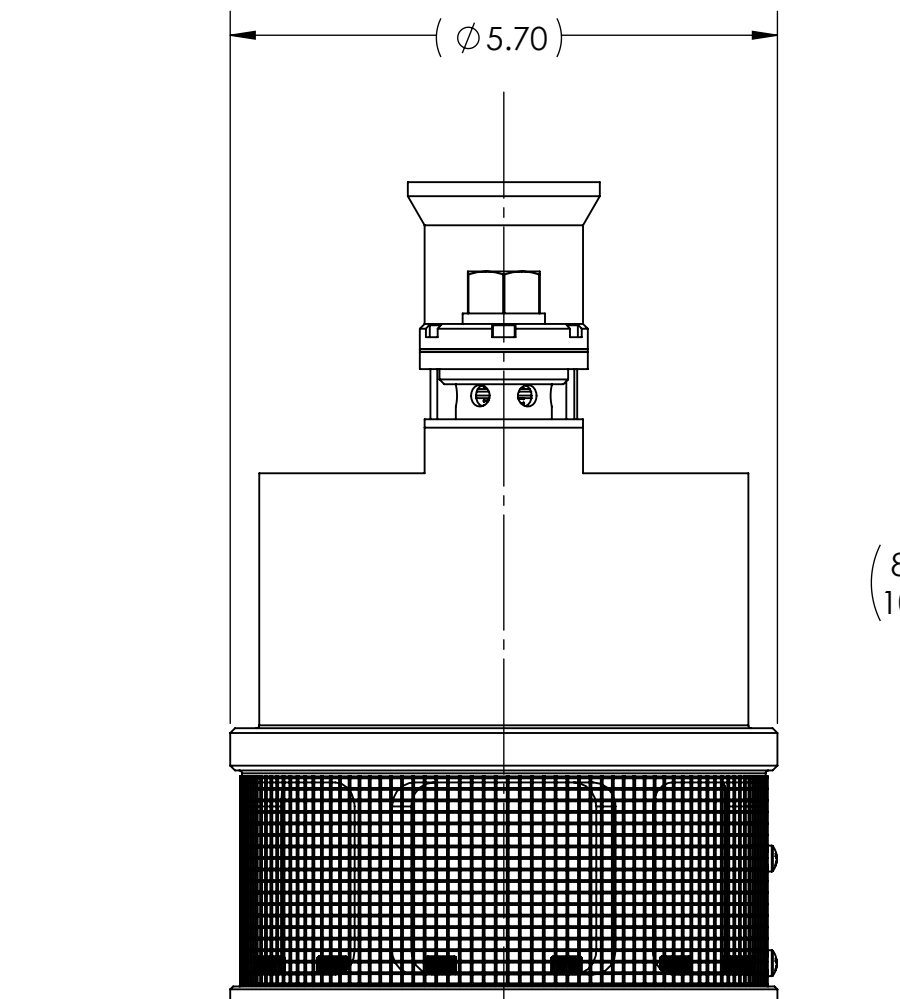
D

D



C

C



MODEL NO.	BLV358	BOTTOM LOADING VALVE, 4 INCH WITH PRIMARY PILOT
OPTIONS	E	ADDS SECONDARY PILOTS

EXAMPLE:
P/N BLV358 = BOTTOM LOADING VALVE, 4 INCH WITH PRIMARY PILOT
P/N BLV358E = BOTTOM LOADING VALVE, 4 INCH WITH PRIMARY AND SECONDARY PILOTS

OPTION	ITEM NO.	PART NO.	DESCRIPTIONS	QTY
E	4	RJ1459	ORIFICE	1
E	3	RJ1234	PLUG	-
STD				1
E	2	RJA1115	PILOT	1
STD	1	RJA1268	BOTTOM LOADING VALVE SUBASSEMBLY	1

A

A

PROPRIETARY AND CONFIDENTIAL
THE INFORMATION CONTAINED IN THIS DRAWING IS THE SOLE PROPERTY OF RAYCON INDUSTRIES. ANY REPRODUCTION IN PART OR AS A WHOLE WITHOUT THE WRITTEN PERMISSION OF RAYCON INDUSTRIES IS PROHIBITED.

UNLESS OTHERWISE SPECIFIED:		NAME	DATE
DIMENSIONS ARE IN INCHES		DRAWN	JW 20/07/20
TOLERANCES:		CHECKED	
FRACTIONAL ±		ENG APPR.	
ANGULAR: MACH ± BEND ±		MFG APPR.	
TWO PLACE DECIMAL ±		Q.A.	
THREE PLACE DECIMAL ±		COMMENTS:	
INTERPRET GEOMETRIC TOLERANCING PER:			
MATERIAL			
FINISH			
APPLICATION			
NEXT ASSY	USED ON		

RAYCON INDUSTRIES		
TITLE: BOTTOM LOADING VALVE, 4 INCH		
SIZE	DWG. NO.	REV
C	BLV358	-
SCALE: 1:4	WEIGHT:	SHEET 1 OF 1