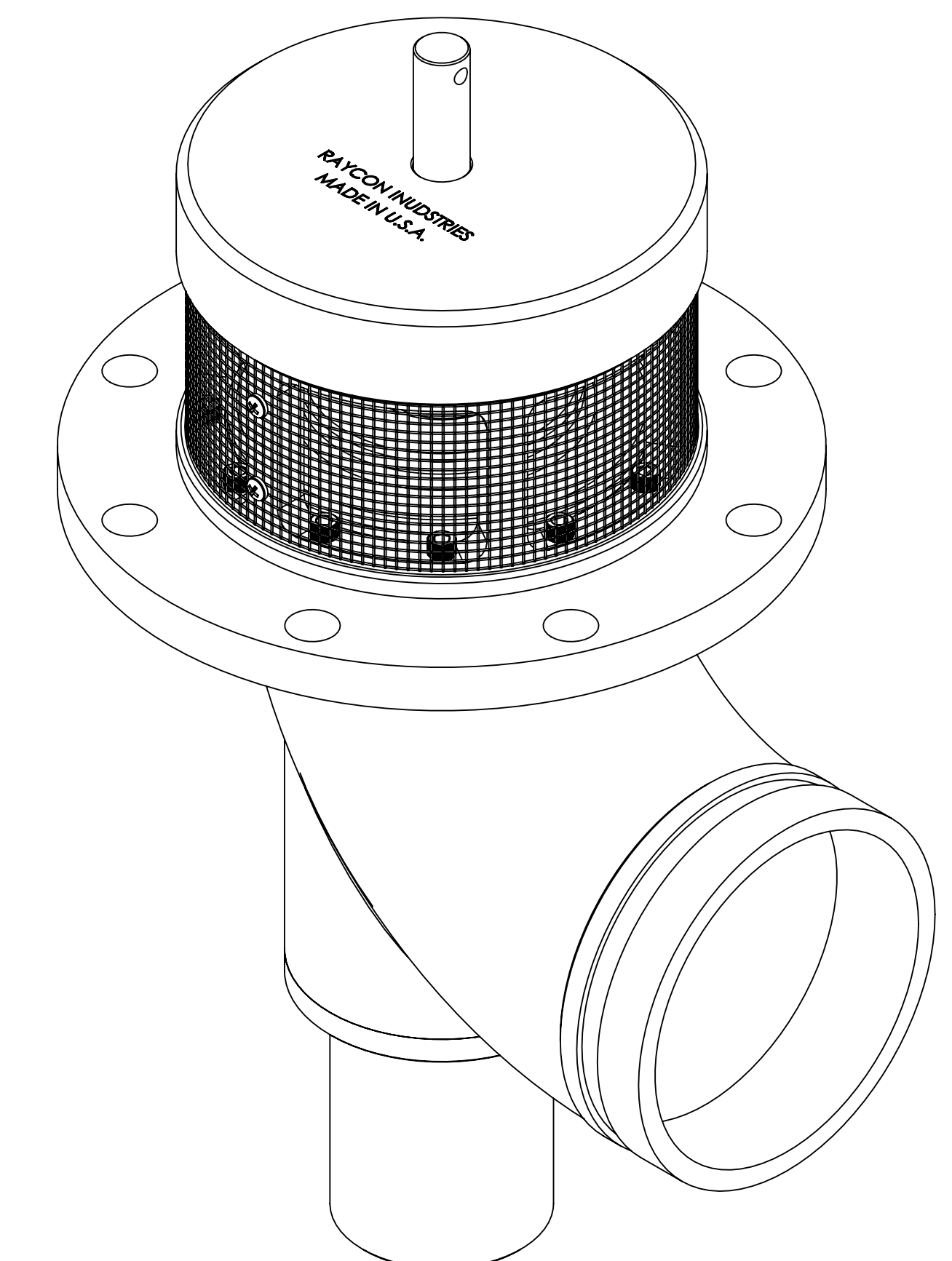
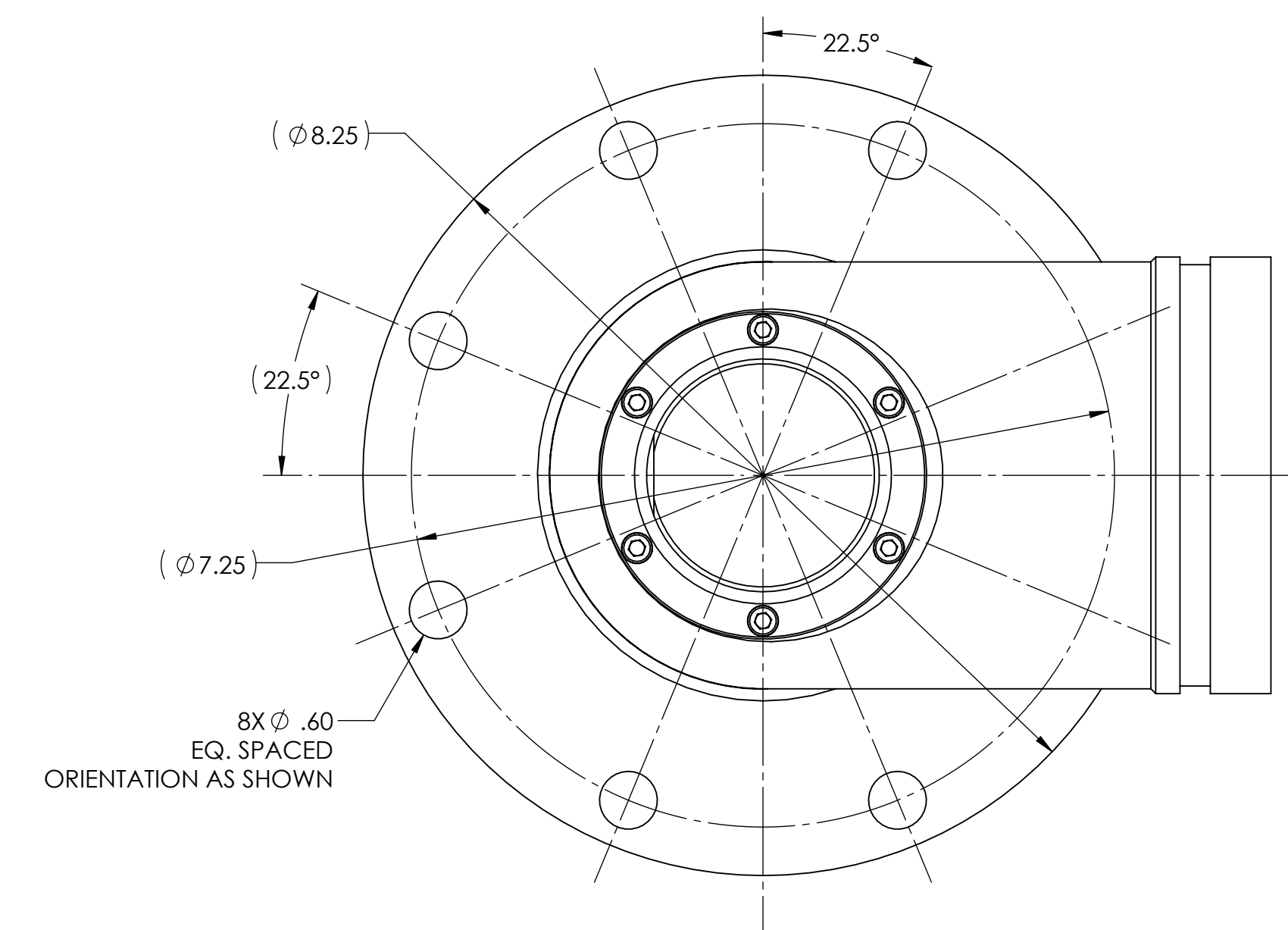
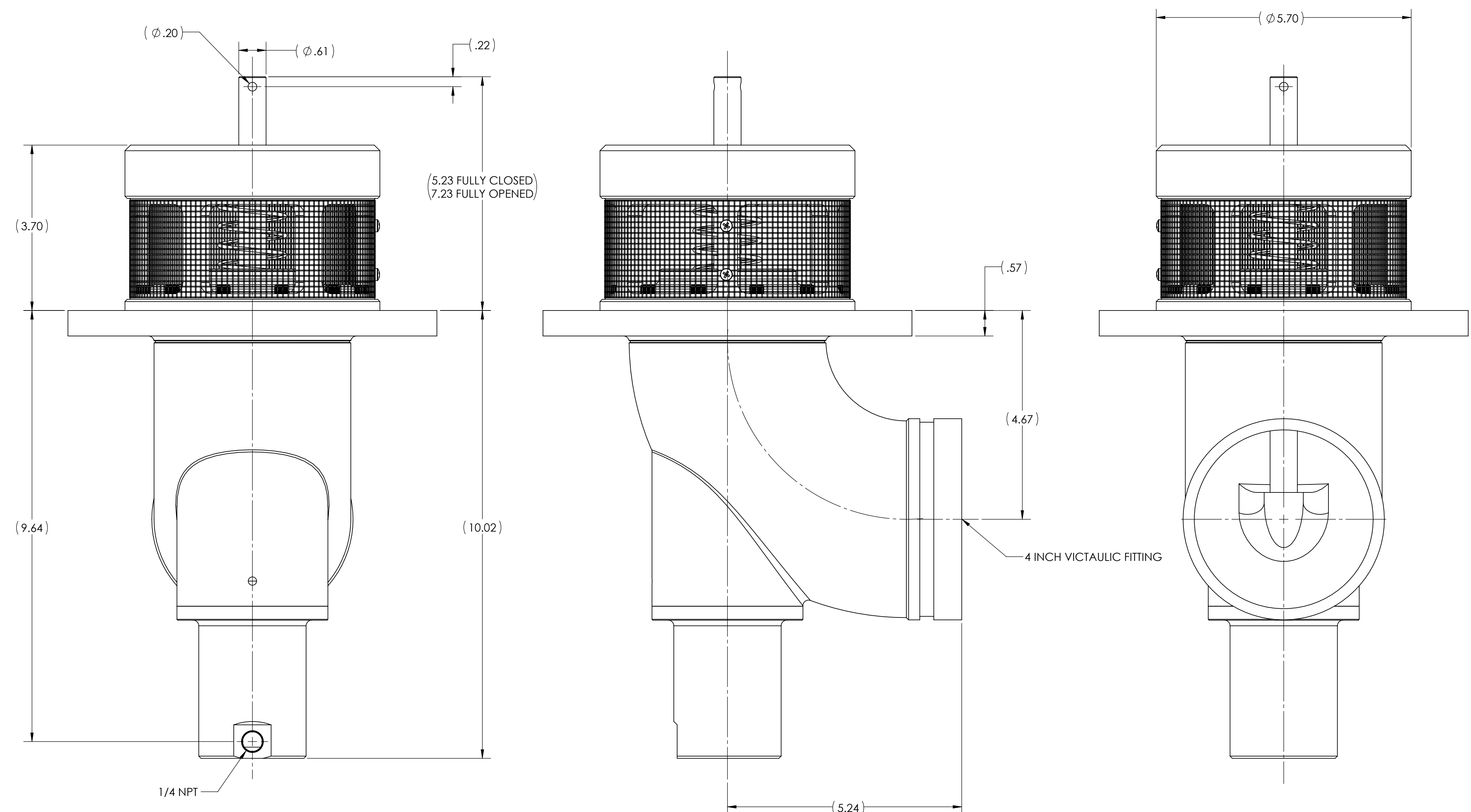


8 7 6 5 4 3 2 1



1. CALCULATED WEIGHT 10.60 LBS.

PROPRIETARY AND CONFIDENTIAL
THE INFORMATION CONTAINED IN THIS DRAWING IS THE SOLE PROPERTY OF RAYCON INDUSTRIES. ANY REPRODUCTION IN PART OR AS A WHOLE WITHOUT THE WRITTEN PERMISSION OF RAYCON INDUSTRIES IS PROHIBITED.

		UNLESS OTHERWISE SPECIFIED:		NAME	DATE
		DIMENSIONS ARE IN INCHES	DRAWN	JW	19/07/06
		TOLERANCES:	CHECKED		
		FRACTIONAL ±	ENG APPR:		
		ANGULAR MATCH ±	MFG APPR:		
		BEND ±	Q.A.		
		TWO PLACE DECIMAL ±	COMMENTS:		
		THREE PLACE DECIMAL ±			
		INTERPRET GEOMETRIC TOLERANCING PER:			
		MATERIAL:			
NEXT ASSY	USED ON	FINISH			
APPLICATION					

RAYCON INDUSTRIES	
TITLE: SUCTION VALVE 4 INCH PNEUMATIC OPERATED	
SIZE DWG. NO.	REV
D BLV339	-
SCALE: 1:4	WEIGHT: SHEET 1 OF 1

REV
D BLV339 series

8 7 6 5 4 3 2 1