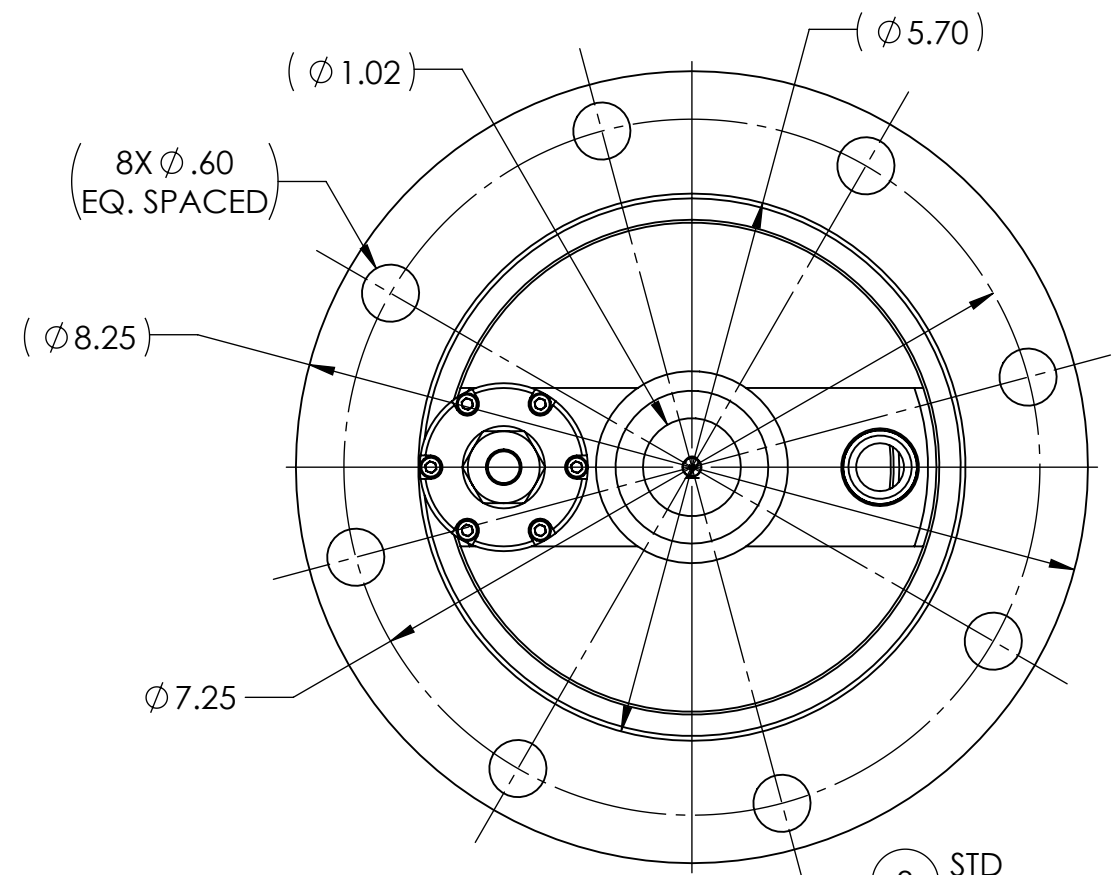


4

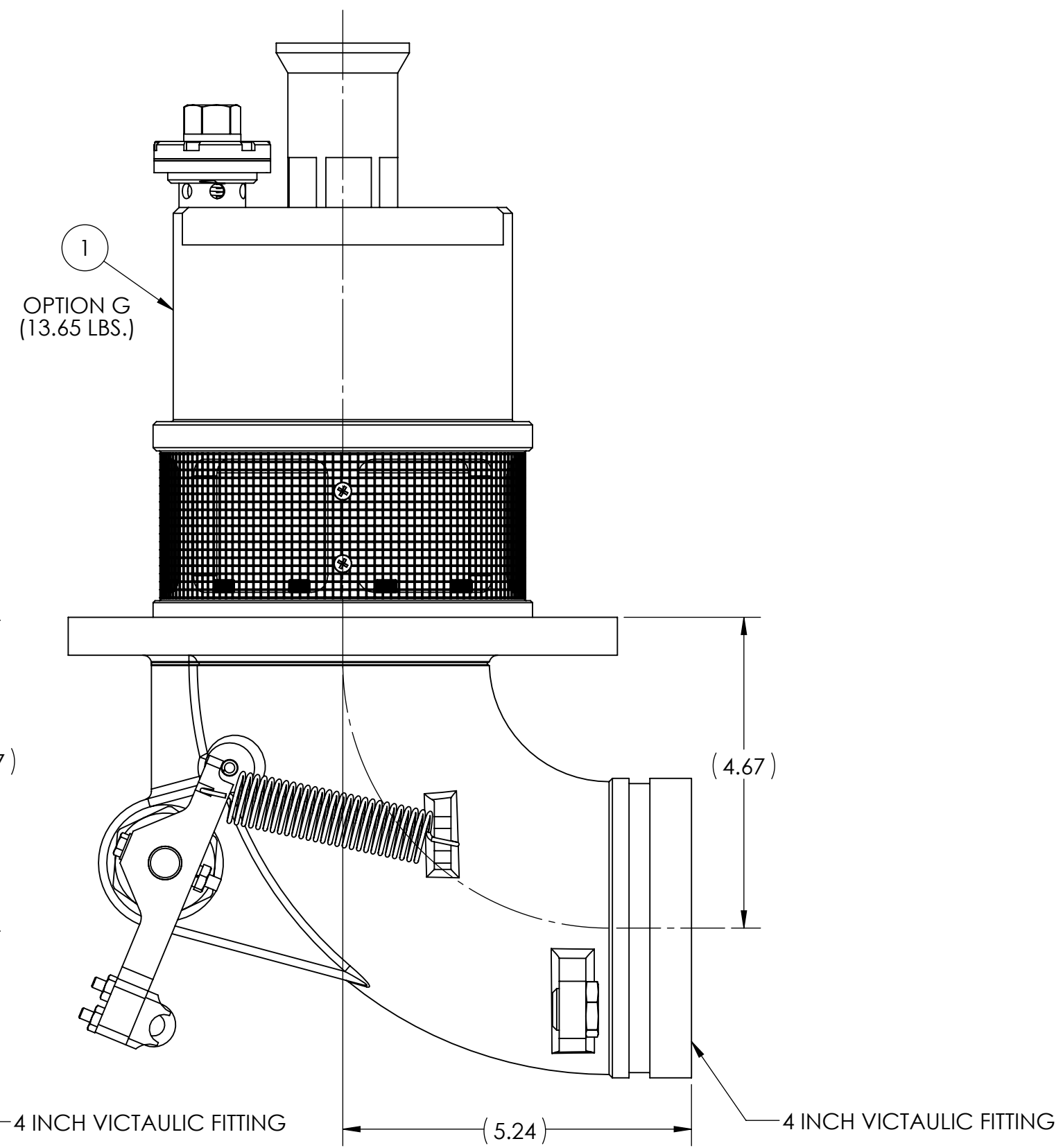
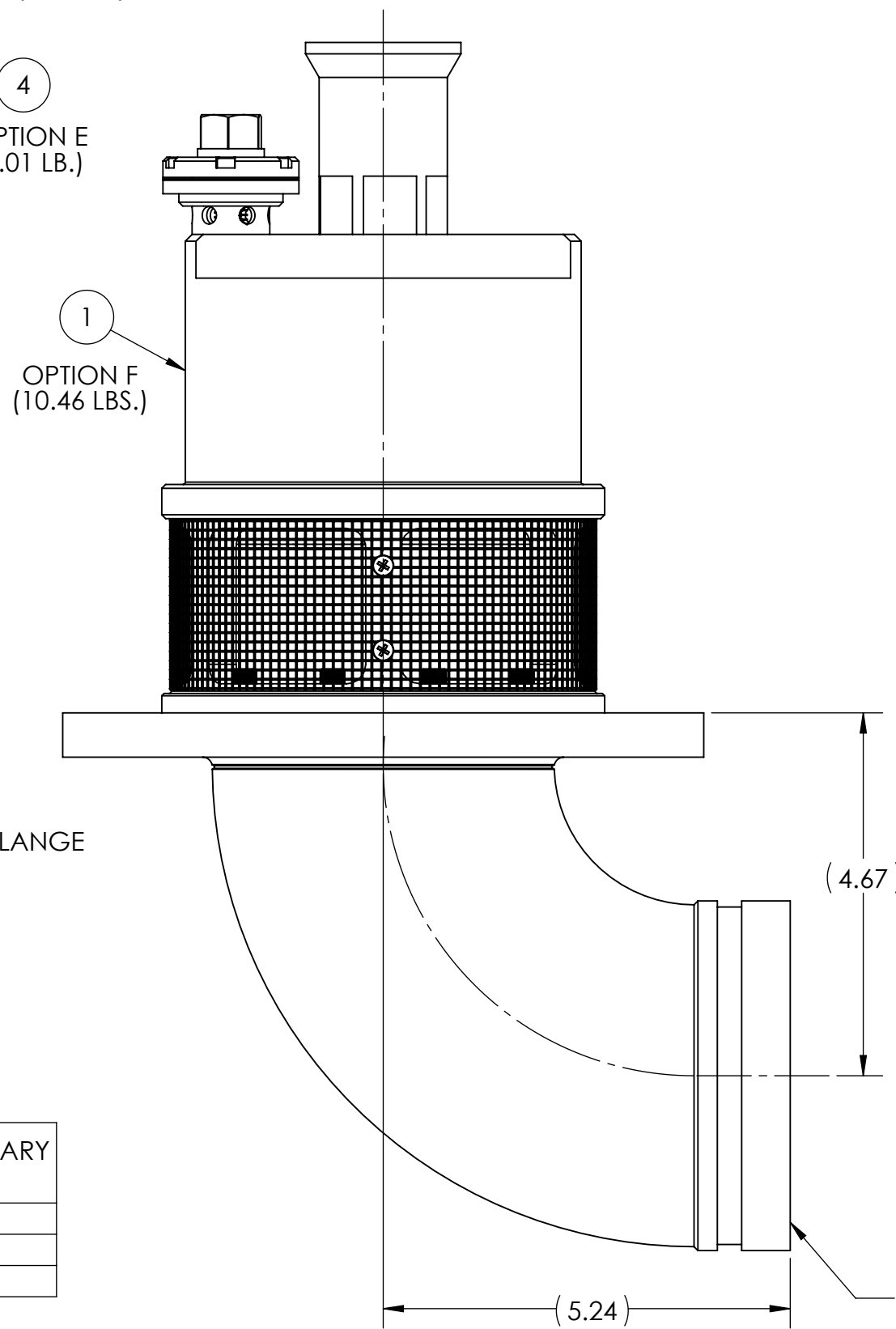
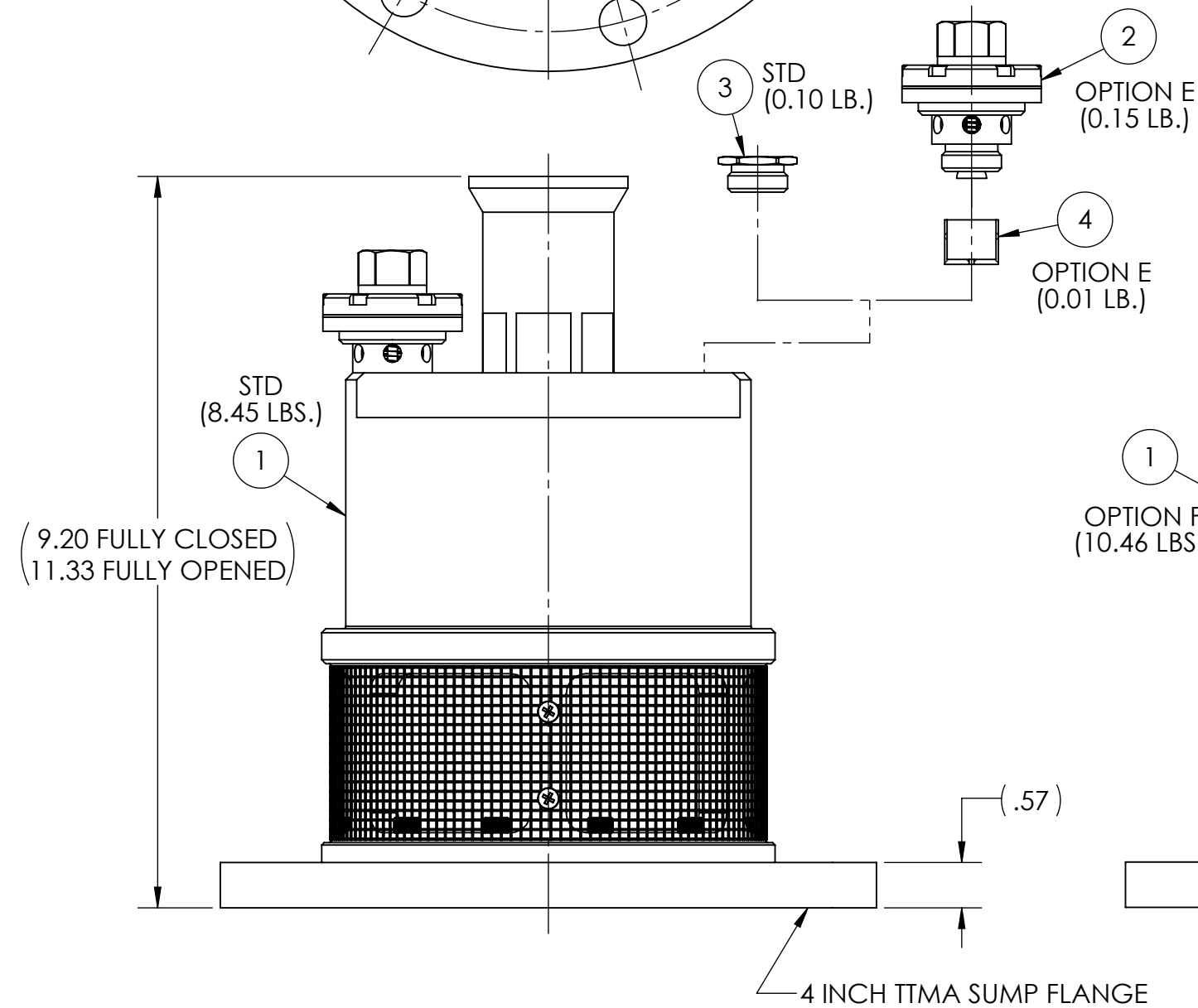
3

2

1



E	4	RJ1459	ORIFICE	1
E	3	RJ1234	PLUG	-
STD				1
E	2	RJA1115	PILOT	1
G		RJA1272	BOTTOM LOADING VALVE SUBASSEMBLY	1
F	1	RJA1271		
STD		RJA1157		
OPTION	ITEM NO.	PART NO.	DESCRIPTIONS	QTY



MODEL NO.	BLV283	BOTTOM LOADING VALVE, 4 INCH WITH PRIMARY PILOT
OPTIONS	E	ADDS SECONDARY PILOTS
	F	ADDS MANUAL DE-FUEL ACTUATOR ELBOW
	G	ADDS NON-ACTUATOR ELBOW

EXAMPLE:  
 P/N BLV283 = BOTTOM LOADING VALVE, 4 INCH WITH PRIMARY PILOT  
 P/N BLV283E = BOTTOM LOADING VALVE, 4 INCH WITH PRIMARY AND SECONDARY PILOTS  
 P/N BLV283EF = BOTTOM LOADING VALVE, 4 INCH WITH PRIMARY AND SECONDARY PILOTS AND MANUAL DE-FUEL ACTUATOR ELBOW ADDED

**PROPRIETARY AND CONFIDENTIAL**  
 THE INFORMATION CONTAINED IN THIS DRAWING IS THE SOLE PROPERTY OF RAYCON INDUSTRIES. ANY REPRODUCTION IN PART OR AS A WHOLE WITHOUT THE WRITTEN PERMISSION OF RAYCON INDUSTRIES IS PROHIBITED.

UNLESS OTHERWISE SPECIFIED:		NAME	DATE
DIMENSIONS ARE IN INCHES		DRAWN	JW
TOLERANCES:		CHECKED	20/07/20
FRACTIONAL ±		ENG APPR.	
ANGULAR: MACH ± BEND ±		MFG APPR.	
TWO PLACE DECIMAL ±		Q.A.	
THREE PLACE DECIMAL ±		COMMENTS:	
INTERPRET GEOMETRIC TOLERANCING PER:	MATERIAL		
FINISH			
APPLICATION	DO NOT SCALE DRAWING		

<b>RAYCON INDUSTRIES</b>		
TITLE: BOTTOM LOADING VALVE, 4 INCH		
SIZE	DWG. NO.	REV
<b>C</b>	<b>BLV283</b>	-
SCALE: 1:4	WEIGHT:	SHEET 1 OF 1

4

3

2

1