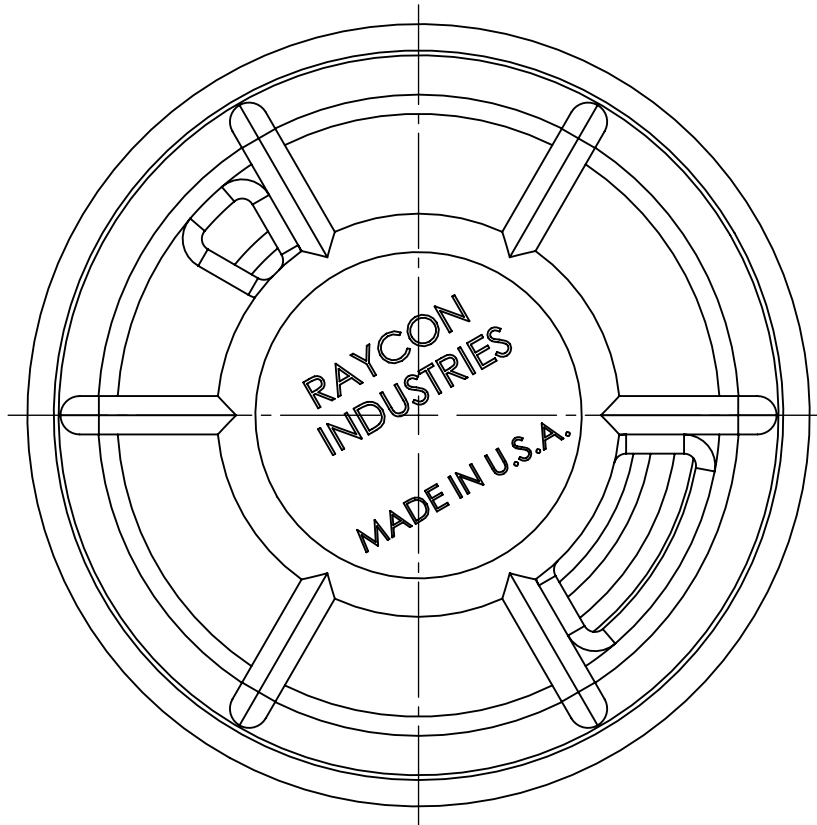
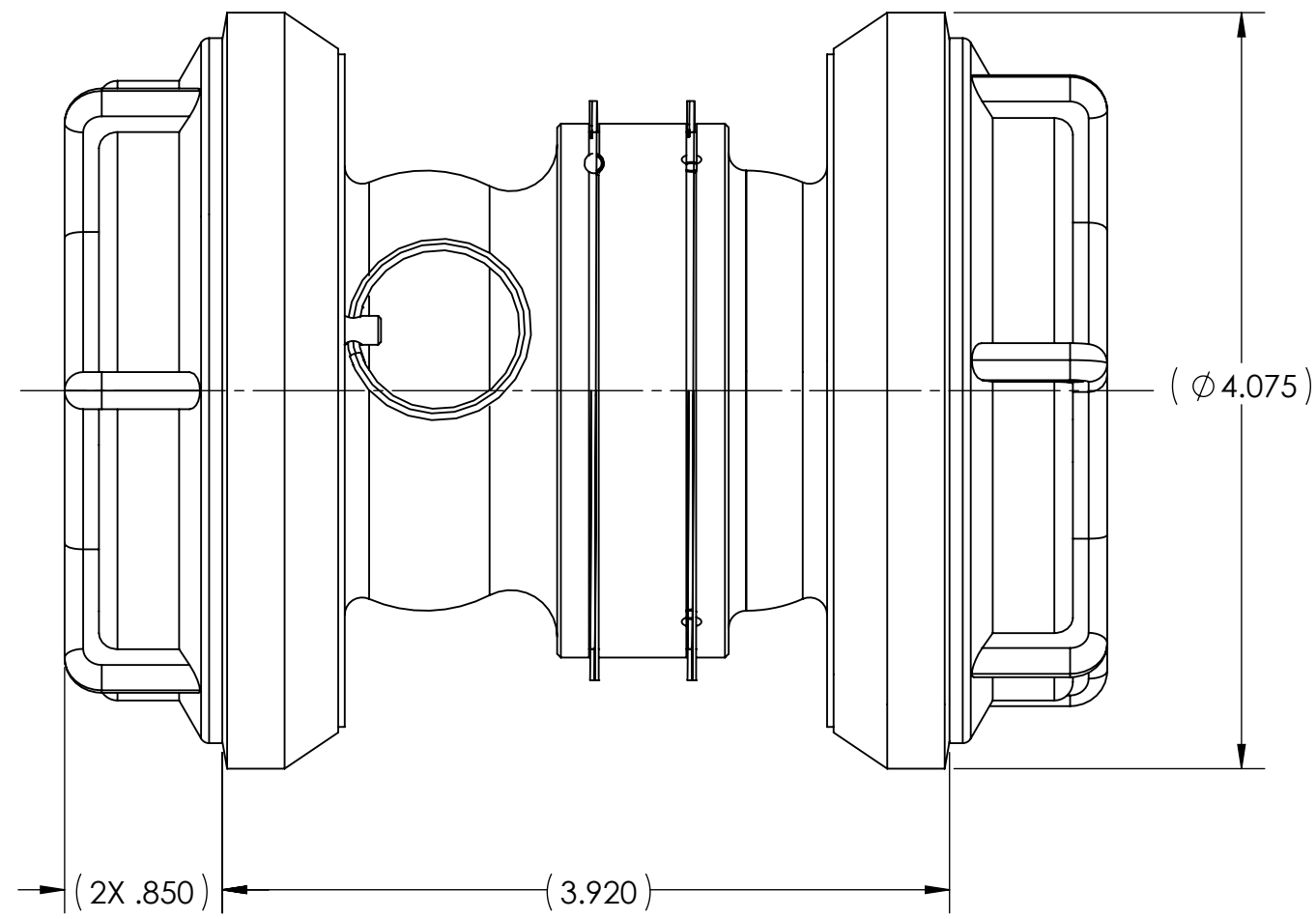


8 7 6 5 4 3 2 1

D
C
B
A



D
C
B
A

- NOTE:
- 2. QUALIFIED PER A-A-59377
 - 1. P/N USC176, EXTERNAL COLOR TAN
P/N USC176G, EXTERNAL COLOR GREEN

PROPRIETARY AND CONFIDENTIAL
THE INFORMATION CONTAINED IN THIS DRAWING IS THE SOLE PROPERTY OF RAYCON INDUSTRIES. ANY REPRODUCTION IN PART OR AS A WHOLE WITHOUT THE WRITTEN PERMISSION OF RAYCON INDUSTRIES IS PROHIBITED.

		UNLESS OTHERWISE SPECIFIED:		NAME	DATE	RAYCON INDUSTRIES			
		DIMENSIONS ARE IN INCHES		DRAWN	JW	14/04/30	TITLE: 2" UNISEX BREAKAWAY		
		TOLERANCES:		CHECKED					
		FRACTIONAL ±		ENG APPR.					
		ANGULAR: MACH ± BEND ±		MFG APPR.					
		TWO PLACE DECIMAL ±		Q.A.			SIZE	DWG. NO.	REV
		THREE PLACE DECIMAL ±		COMMENTS:			B	USC176	-
		INTERPRET GEOMETRIC TOLERANCING PER:					SCALE: 1:4	WEIGHT:	SHEET 1 OF 1
		MATERIAL							
NEXT ASSY		USED ON							
APPLICATION		DO NOT SCALE DRAWING							

8 7 6 5 4 3 2 1