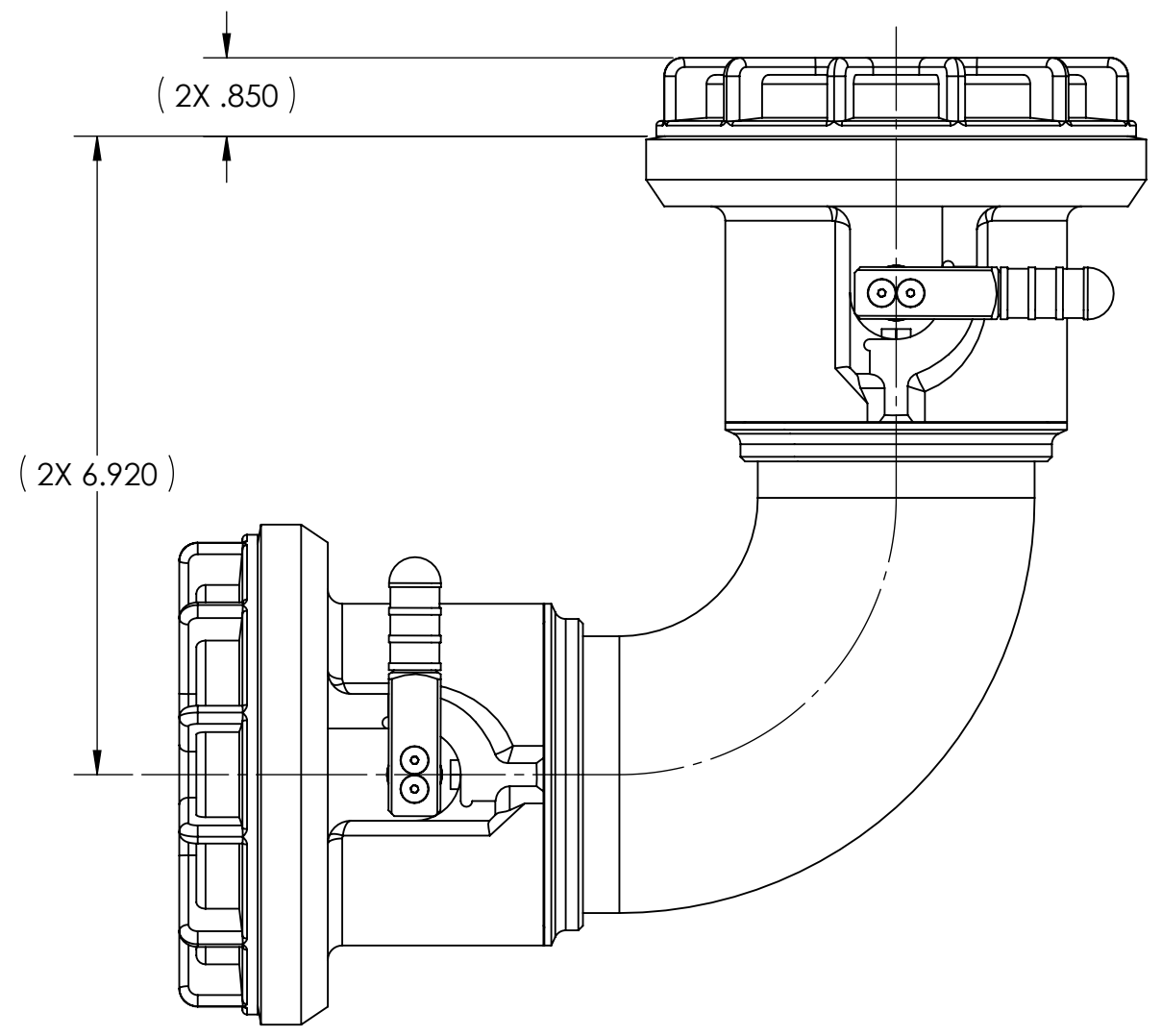
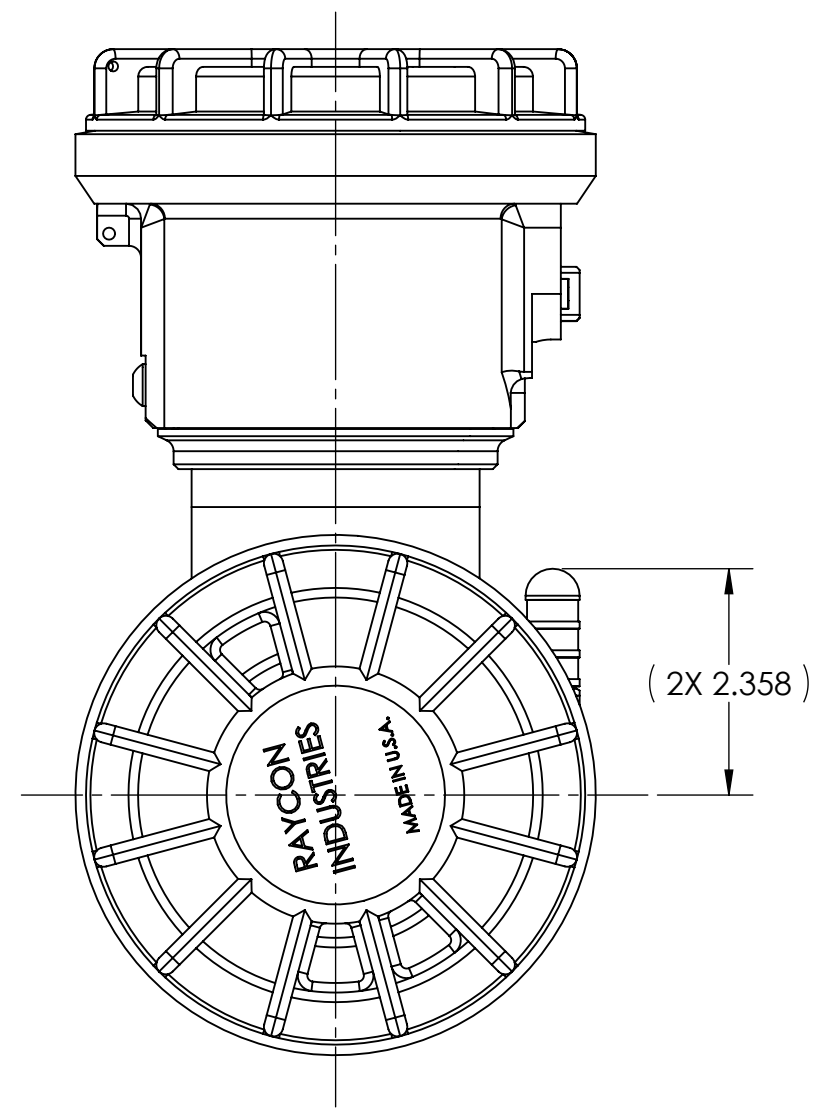


8 7 6 5 4 3 2 1

D  
C  
B  
A



D  
C  
B  
A

- 2. QUALIFIED PER A-A-59377
- 1. P/N USC158, EXTERNAL COLOR TAN  
P/N USC158G, EXTERNAL COLOR GREEN

**PROPRIETARY AND CONFIDENTIAL**  
THE INFORMATION CONTAINED IN THIS DRAWING IS THE SOLE PROPERTY OF RAYCON INDUSTRIES. ANY REPRODUCTION IN PART OR AS A WHOLE WITHOUT THE WRITTEN PERMISSION OF RAYCON INDUSTRIES IS PROHIBITED.

		UNLESS OTHERWISE SPECIFIED:		NAME	DATE	<b>RAYCON INDUSTRIES</b> TITLE: <b>ELBOW</b> <b>3" UNISEX COUPLING</b>		
		DIMENSIONS ARE IN INCHES		DRAWN	JW			12/11/13
		TOLERANCES:		CHECKED				
		FRACTIONAL ±		ENG APPR.				
		ANGULAR: MACH ± BEND ±		MFG APPR.				
		TWO PLACE DECIMAL ±		Q.A.				
		THREE PLACE DECIMAL ±		COMMENTS:				
		INTERPRET GEOMETRIC TOLERANCING PER:						
		MATERIAL						
		FINISH						
NEXT ASSY	USED ON							
APPLICATION		DO NOT SCALE DRAWING						
		SIZE	DWG. NO.	REV				
		<b>B</b>	<b>USC158</b>	-				
		SCALE: 1:2	WEIGHT:	SHEET 1 OF 1				

8 7 6 5 4 3 2 1