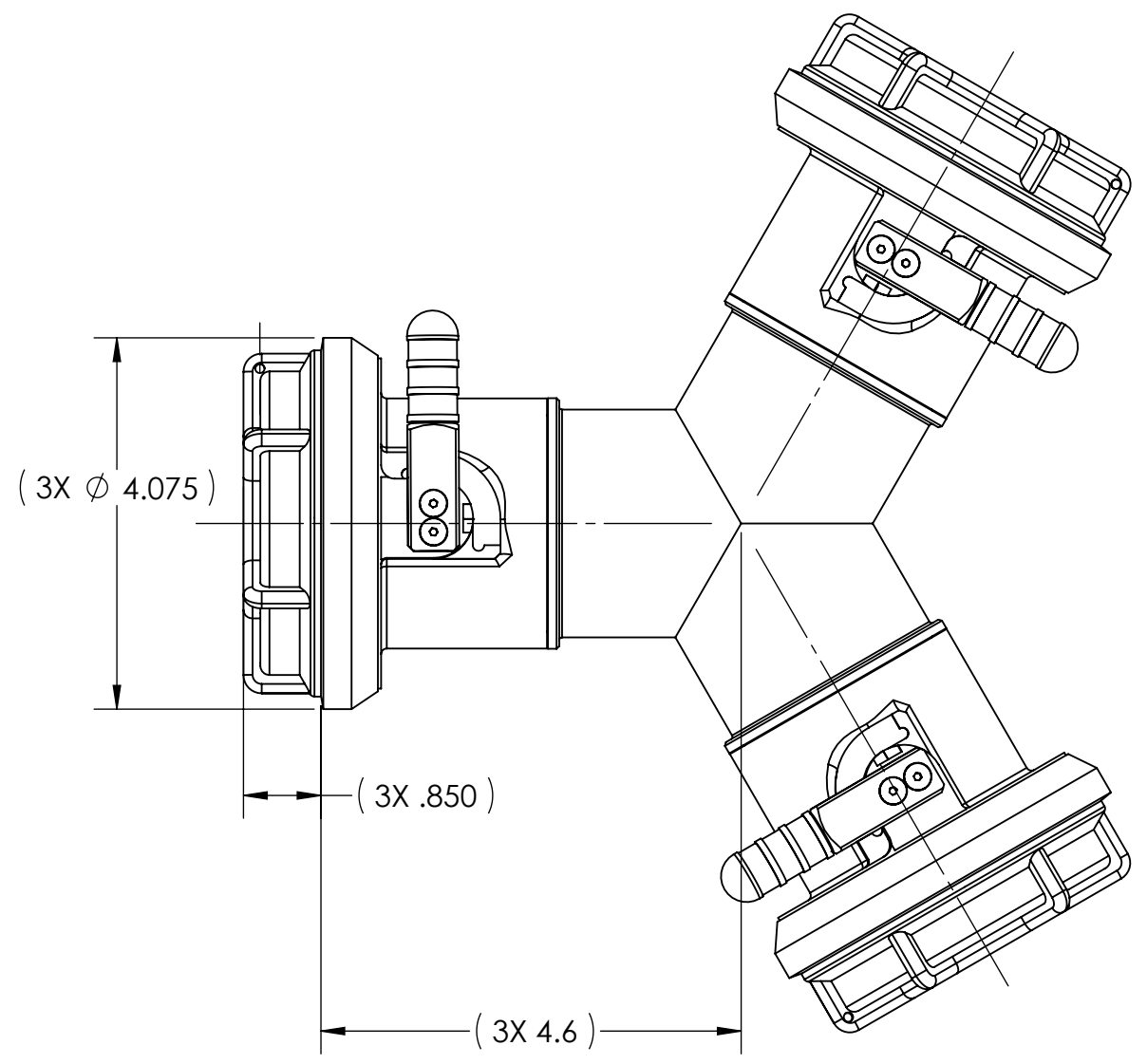


8 7 6 5 4 3 2 1

D
C
B
A

D
C
B
A



2. QUALIFIED PER A-A-59377

1. EXAMPLE: P/N USC129AG

BLANK - EXTERIOR COLOR TAN
G - EXTERIOR COLOR GREEN

BLANK - NO STRAINER
A - ADDS 40 MESH STRAINER
B - ADDS 60 MESH STRAINER
C - ADDS 100 MESH STRAINER

PROPRIETARY AND CONFIDENTIAL
THE INFORMATION CONTAINED IN THIS DRAWING IS THE SOLE PROPERTY OF RAYCON INDUSTRIES. ANY REPRODUCTION IN PART OR AS A WHOLE WITHOUT THE WRITTEN PERMISSION OF RAYCON INDUSTRIES IS PROHIBITED.

		UNLESS OTHERWISE SPECIFIED:		NAME	DATE	RAYCON INDUSTRIES	
		DIMENSIONS ARE IN INCHES TOLERANCES: FRACTIONAL ± ANGULAR: MACH ± BEND ± TWO PLACE DECIMAL ± THREE PLACE DECIMAL ±		DRAWN	JW		
				CHECKED			TITLE:
				ENG APPR.			Y, UNISEX COUPLING
				MFG APPR.			SIZE
				Q.A.			DWG. NO.
				COMMENTS:			REV
NEXT ASSY	USED ON	FINISH				B USC129	
APPLICATION		DO NOT SCALE DRAWING				SCALE: 1:2	WEIGHT:
						SHEET 1 OF 1	

8 7 6 5 4 3 2 1