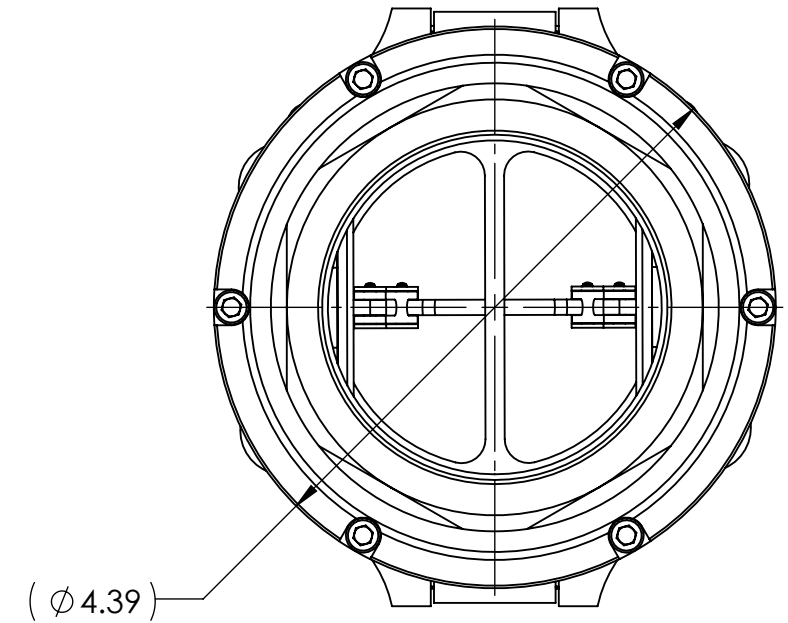
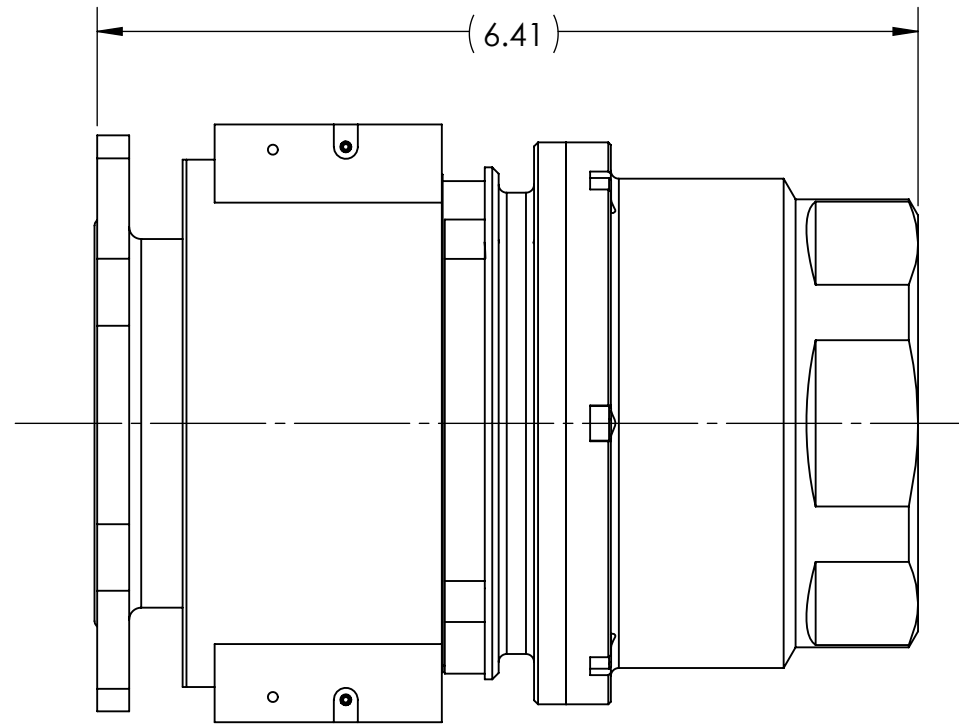
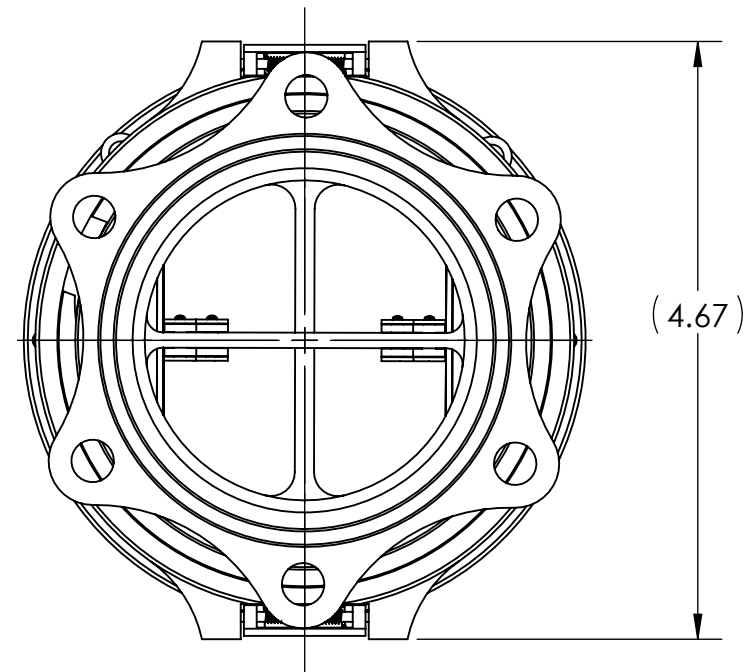


8 7 6 5 4 3 2 1

D
C
B
A

D
C
B
A



QD357-3	RJA1246-3	DRY-BREAK WITH 3 FNPT ADAPTER
QD357-2	RJA1246-2	DRY-BREAK WITH 2.5 FNPT ADAPTER
QD357-1	RJA1246-1	DRY-BREAK WITH 2 FNPT ADAPTER
PART NUMBER	ITEM 1	DESCRIPTIONS

PROPRIETARY AND CONFIDENTIAL
 THE INFORMATION CONTAINED IN THIS DRAWING IS THE SOLE PROPERTY OF RAYCON INDUSTRIES. ANY REPRODUCTION IN PART OR AS A WHOLE WITHOUT THE WRITTEN PERMISSION OF RAYCON INDUSTRIES IS PROHIBITED.

		UNLESS OTHERWISE SPECIFIED:		NAME	DATE	RAYCON INDUSTRIES TITLE: DRY-BREAK Q.D. ASSEMBLY	
		DIMENSIONS ARE IN INCHES		DRAWN	JW		13/09/24
		TOLERANCES:		CHECKED			
		FRACTIONAL ±		ENG APPR.			
		ANGULAR: MACH ± BEND ±		MFG APPR.			
		TWO PLACE DECIMAL ±		Q.A.			
		THREE PLACE DECIMAL ±		COMMENTS:			
PRN220	PRN220	INTERPRET GEOMETRIC TOLERANCING PER:					
PRN120	PRN120	MATERIAL					
NEXT ASSY	USED ON	FINISH					
APPLICATION		DO NOT SCALE DRAWING					
SIZE	DWG. NO.	REV					
B	QD357	-					
SCALE: 1:2	WEIGHT:	SHEET 1 OF 1					

8 7 6 5 4 3 2 1