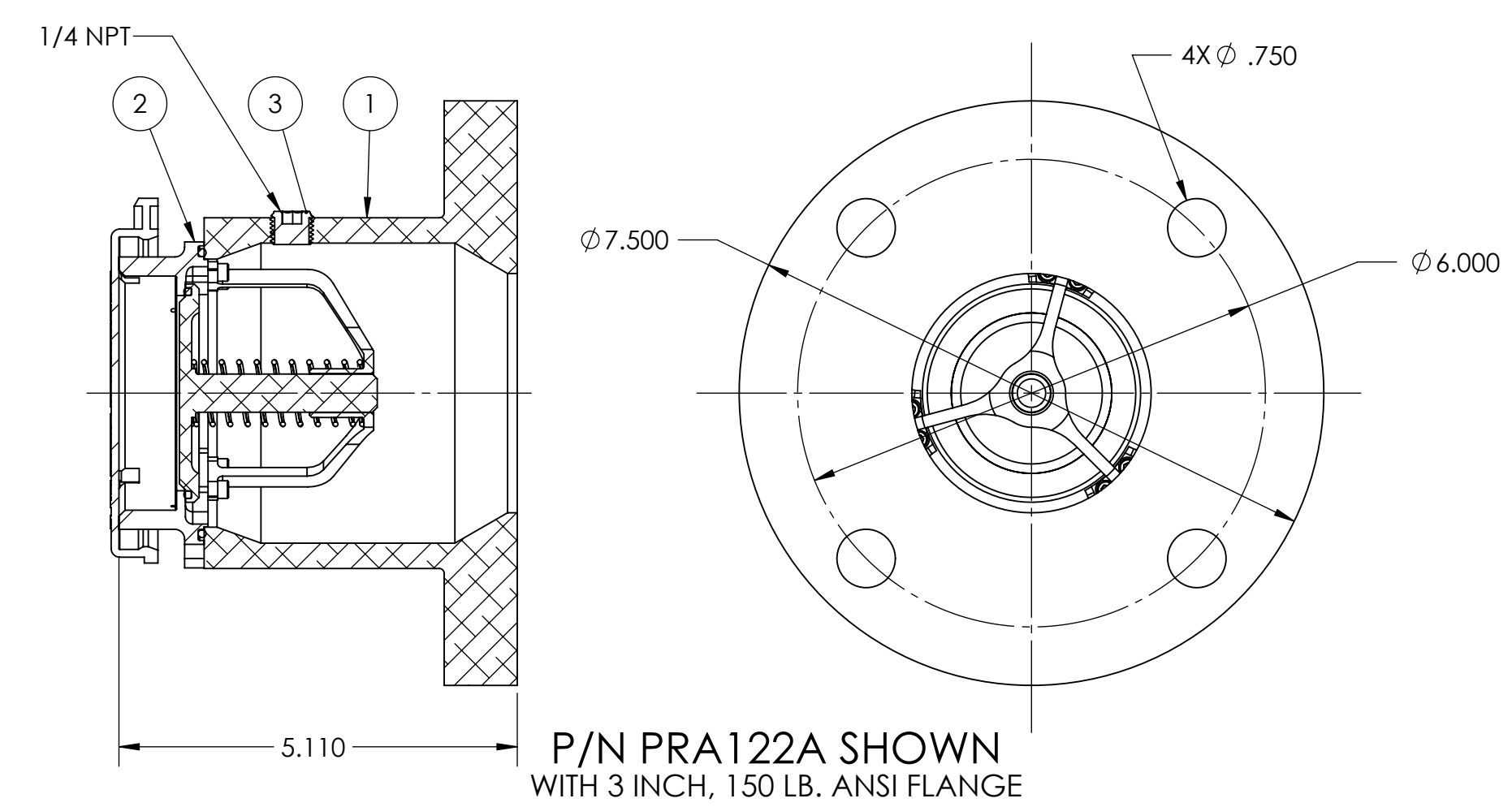
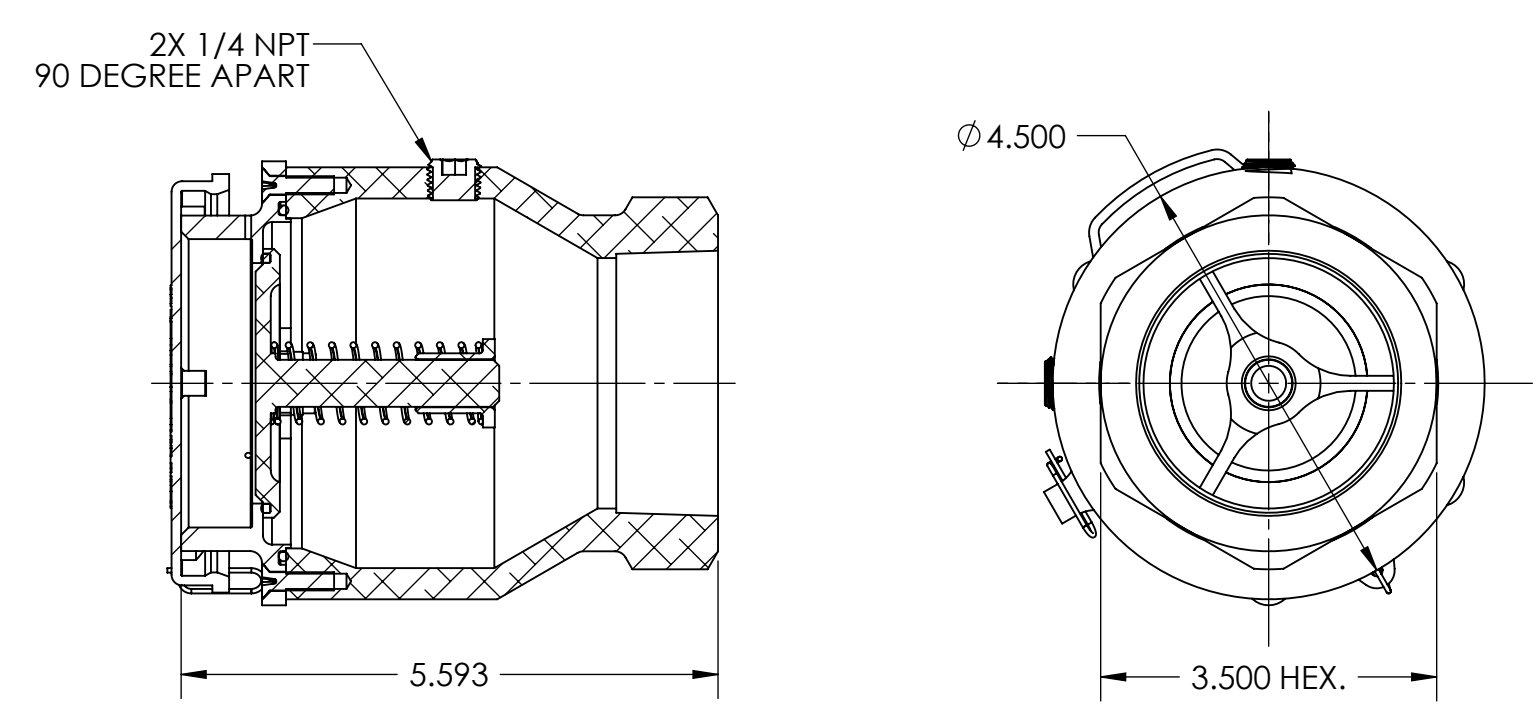


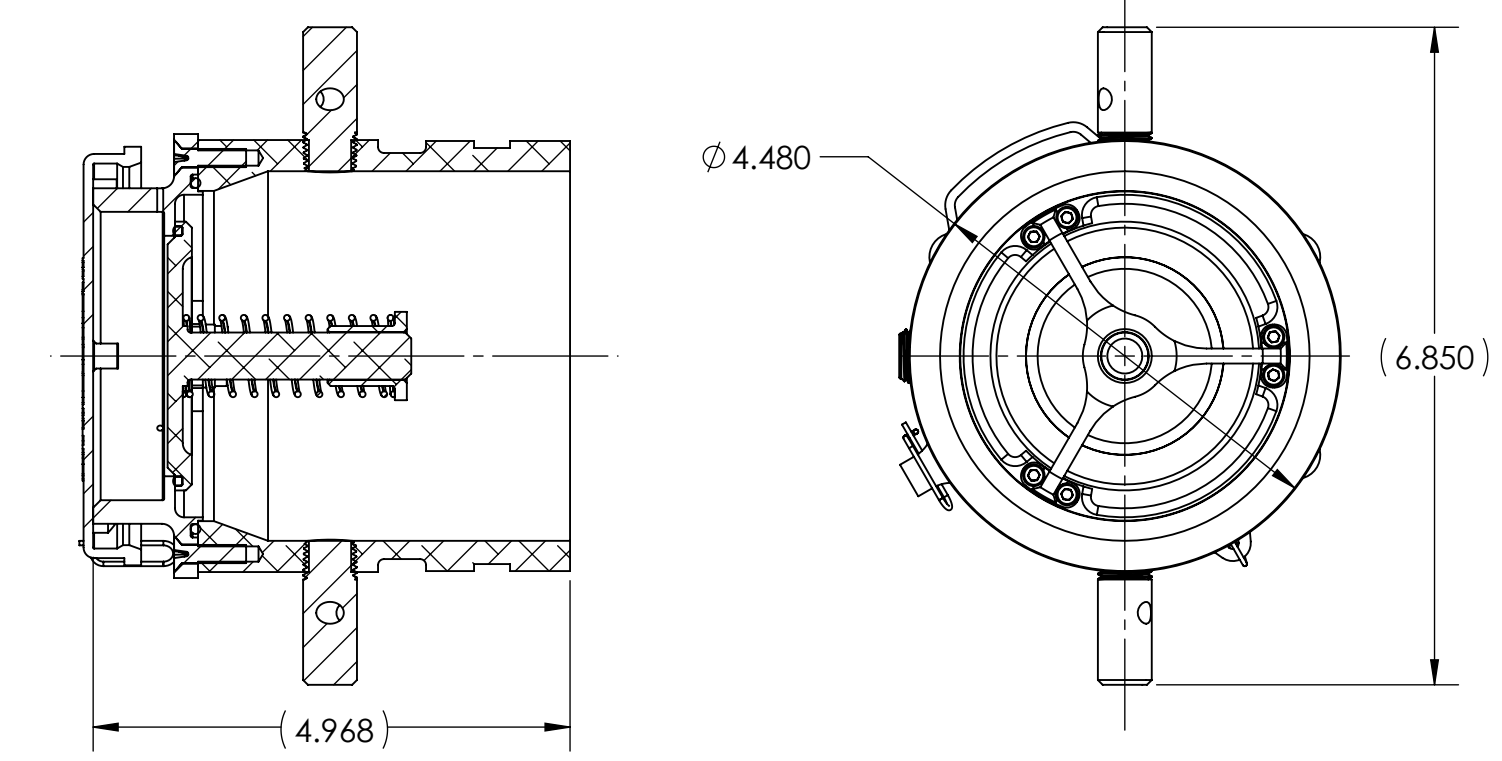
REVISIONS				
ZONE	REV.	DESCRIPTION	DATE	APPROVED
	A	ADDED OPTIONS 1 AND 2	19/02/08	RM



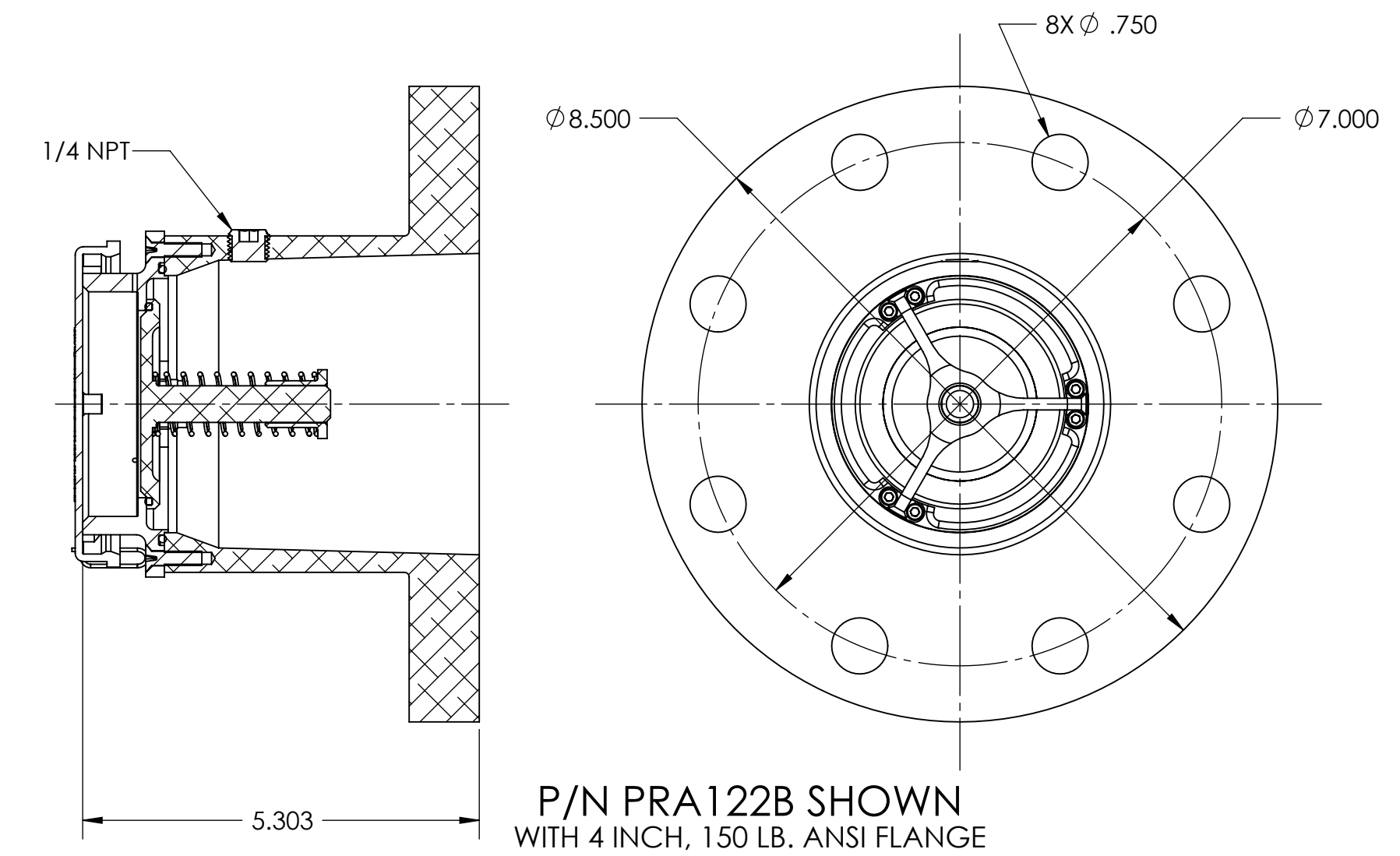
P/N PRA122A SHOWN WITH 3 INCH, 150 LB. ANSI FLANGE



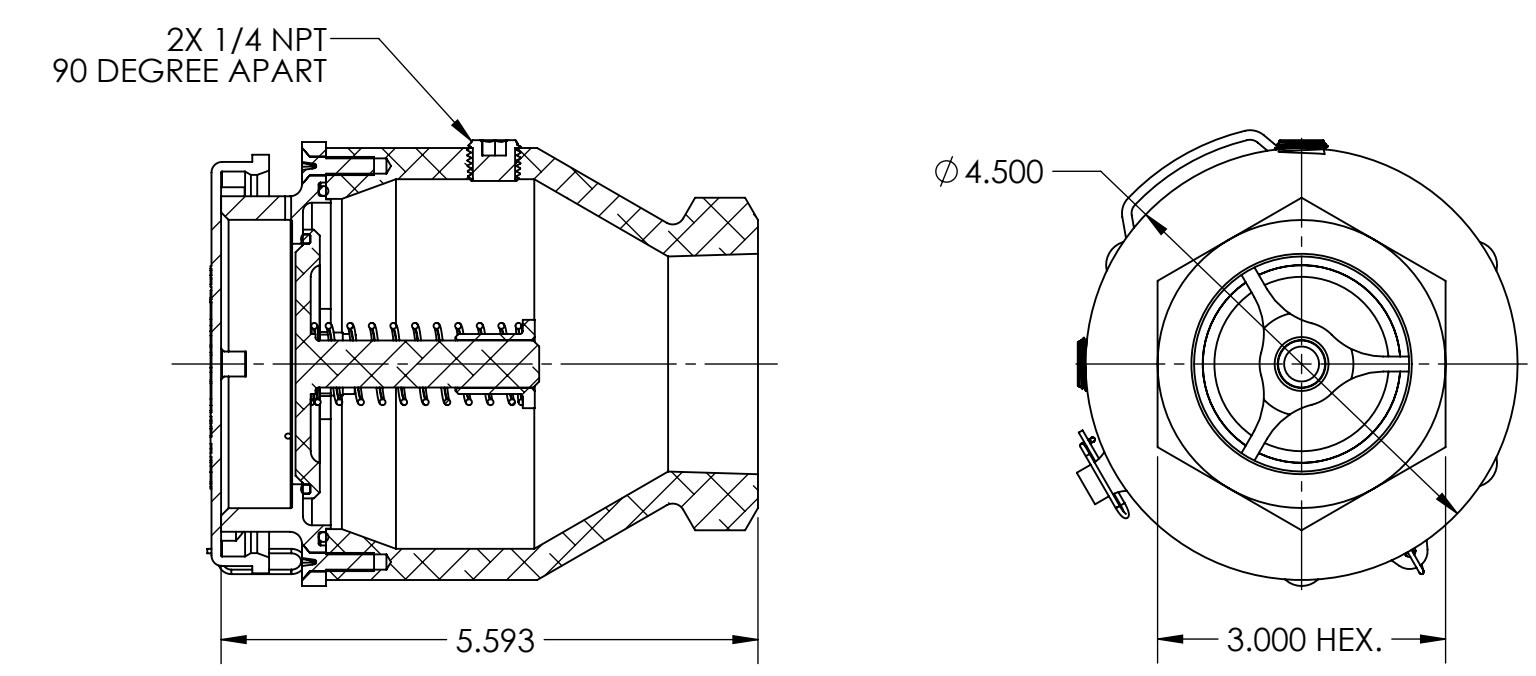
P/N PRA122E SHOWN WITH 2.5 INCH FEMALE NPT



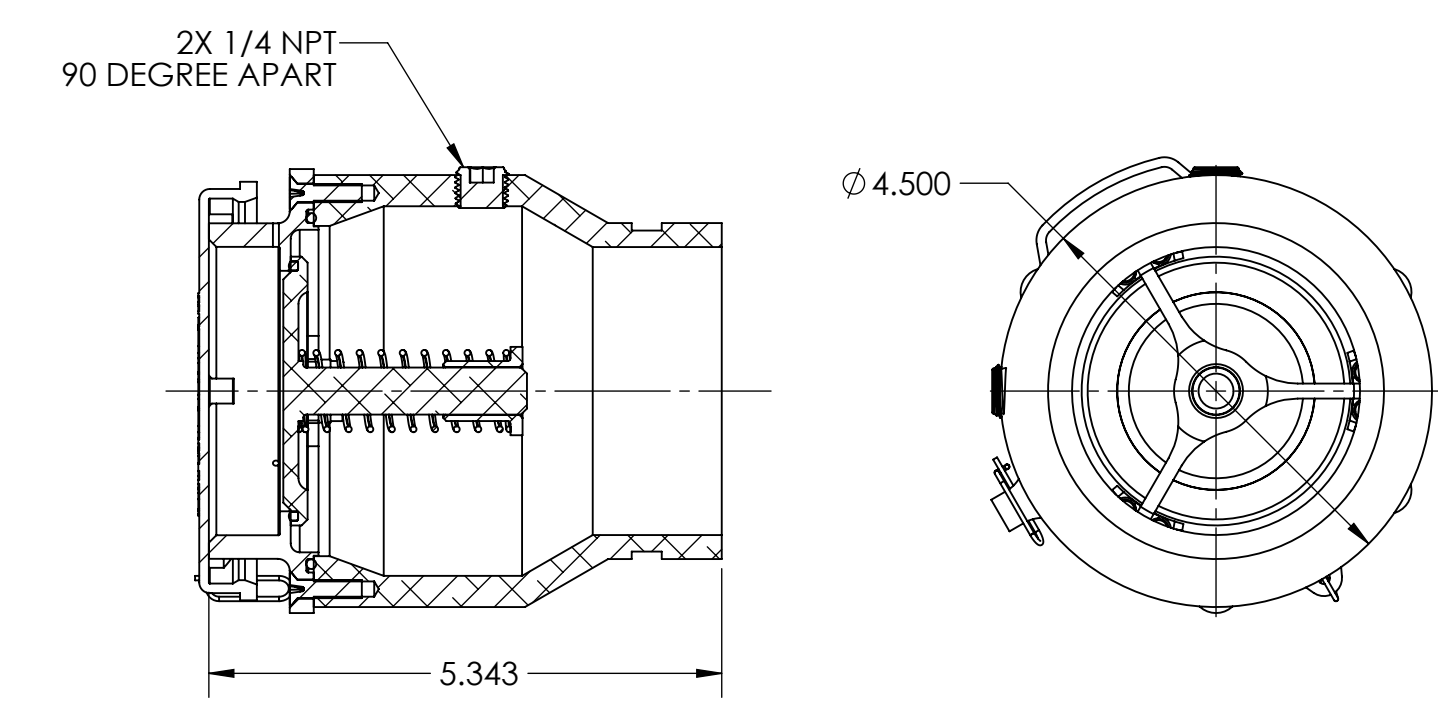
P/N PRA122M SHOWN WITH 4 INCH VICTAULIC FITTING



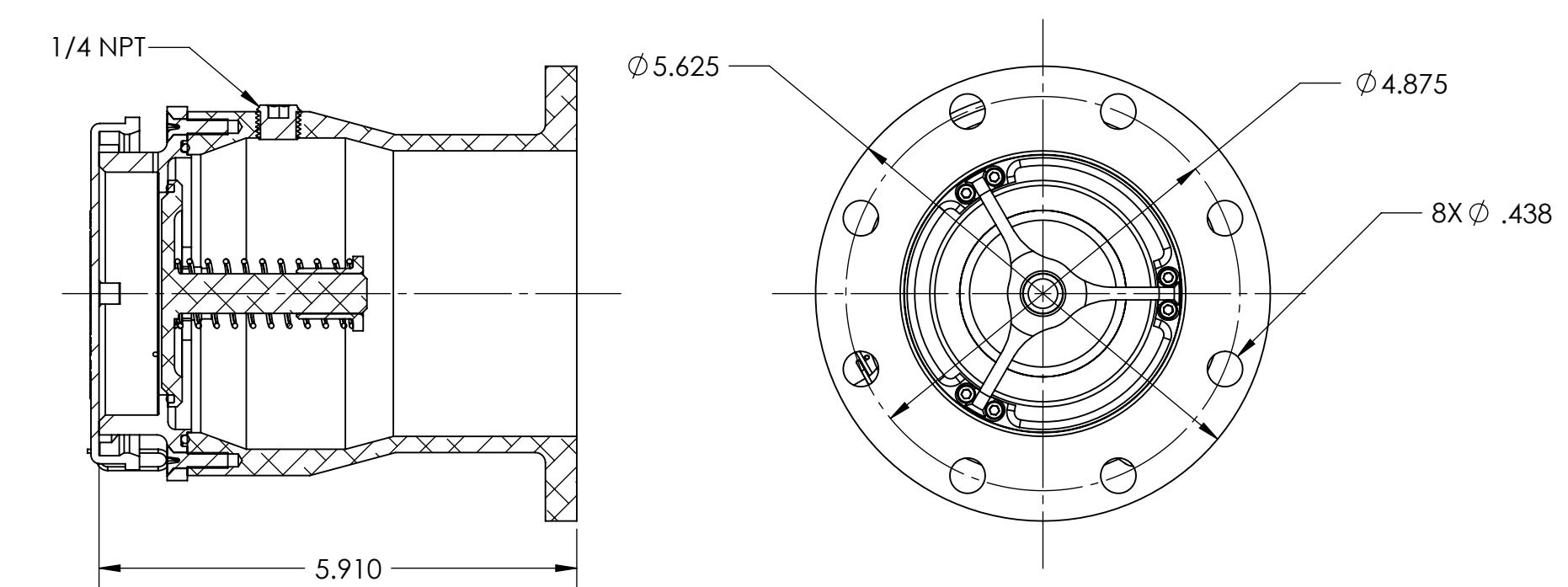
P/N PRA122B SHOWN WITH 4 INCH, 150 LB. ANSI FLANGE



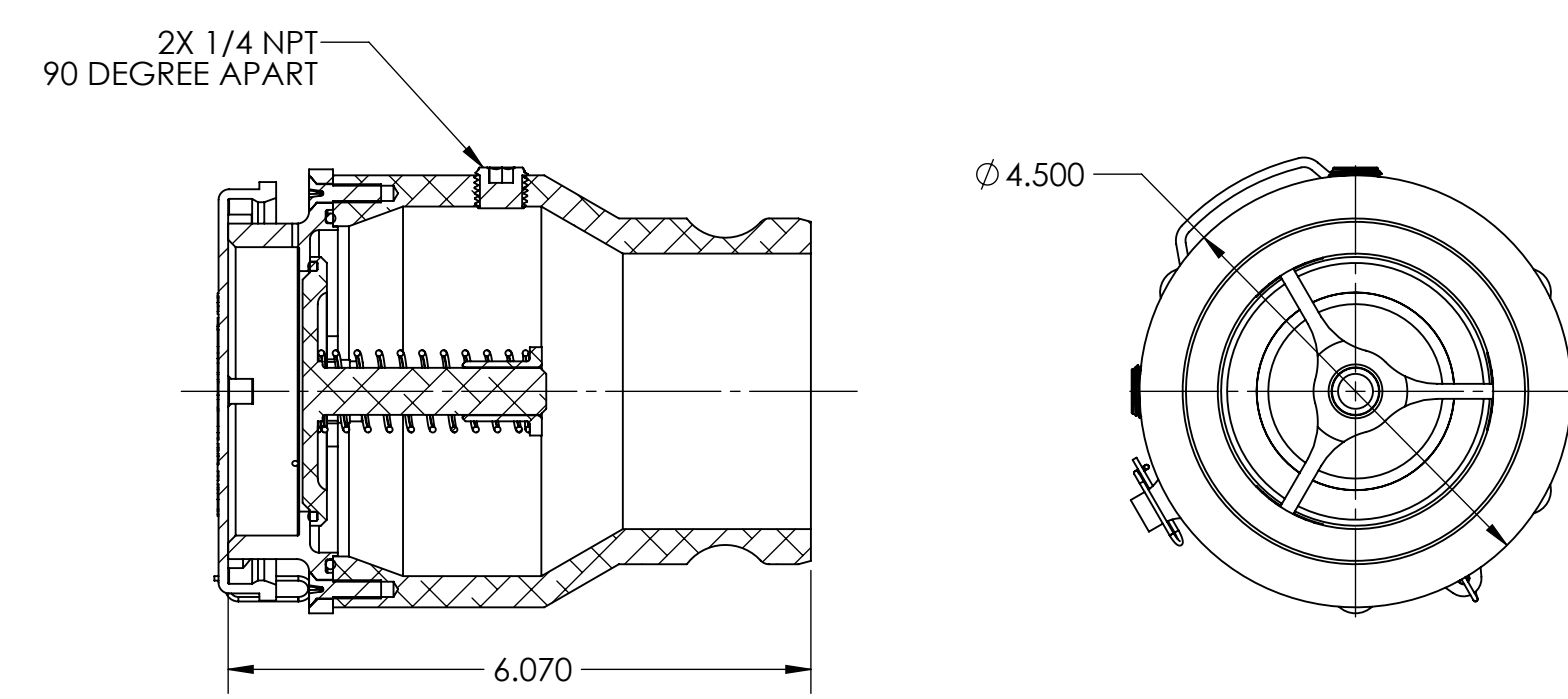
P/N PRA122H SHOWN WITH 2 INCH FEMALE NPT



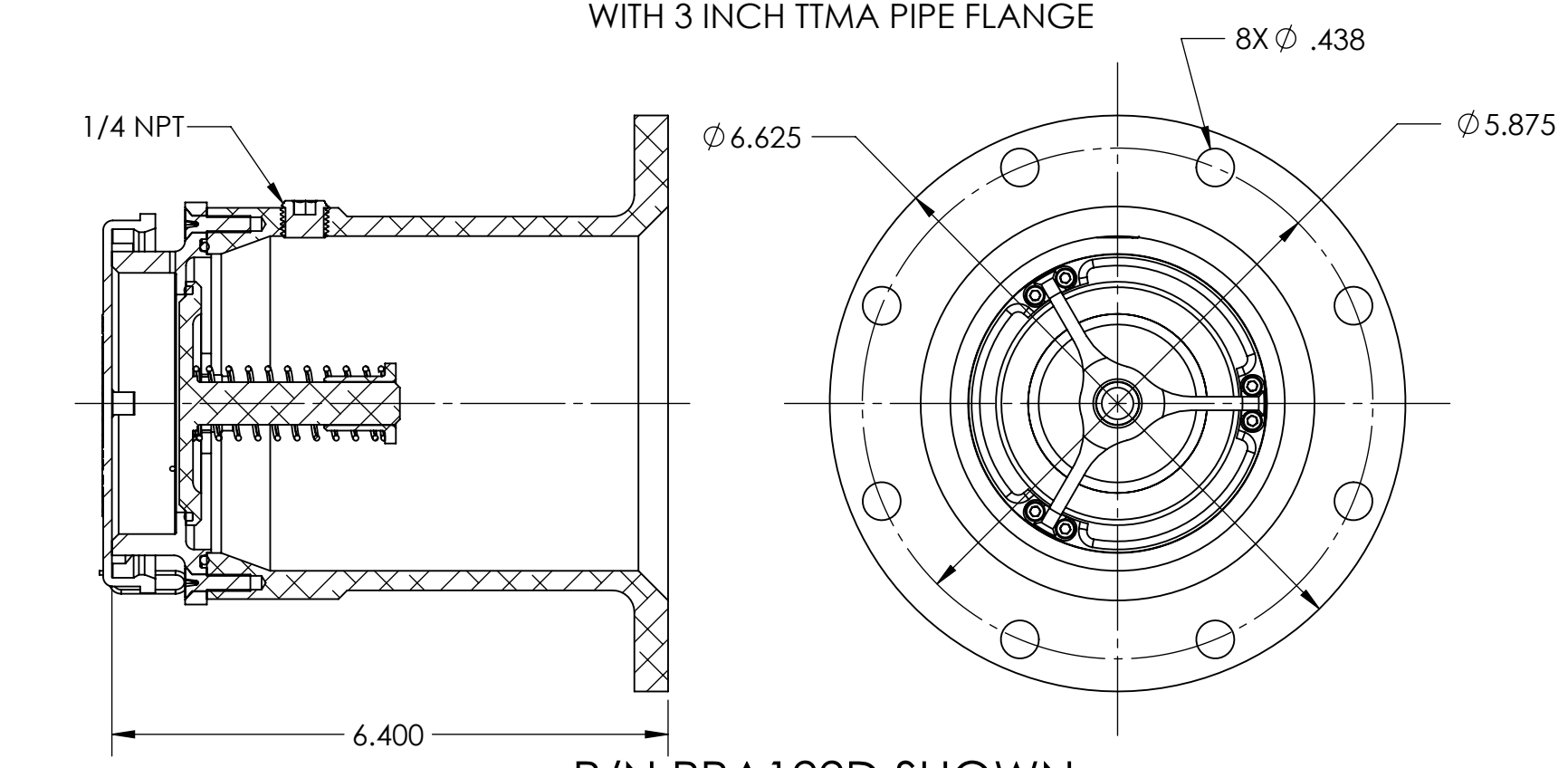
P/N PRA122N SHOWN WITH 3 INCH VICTAULIC FITTING



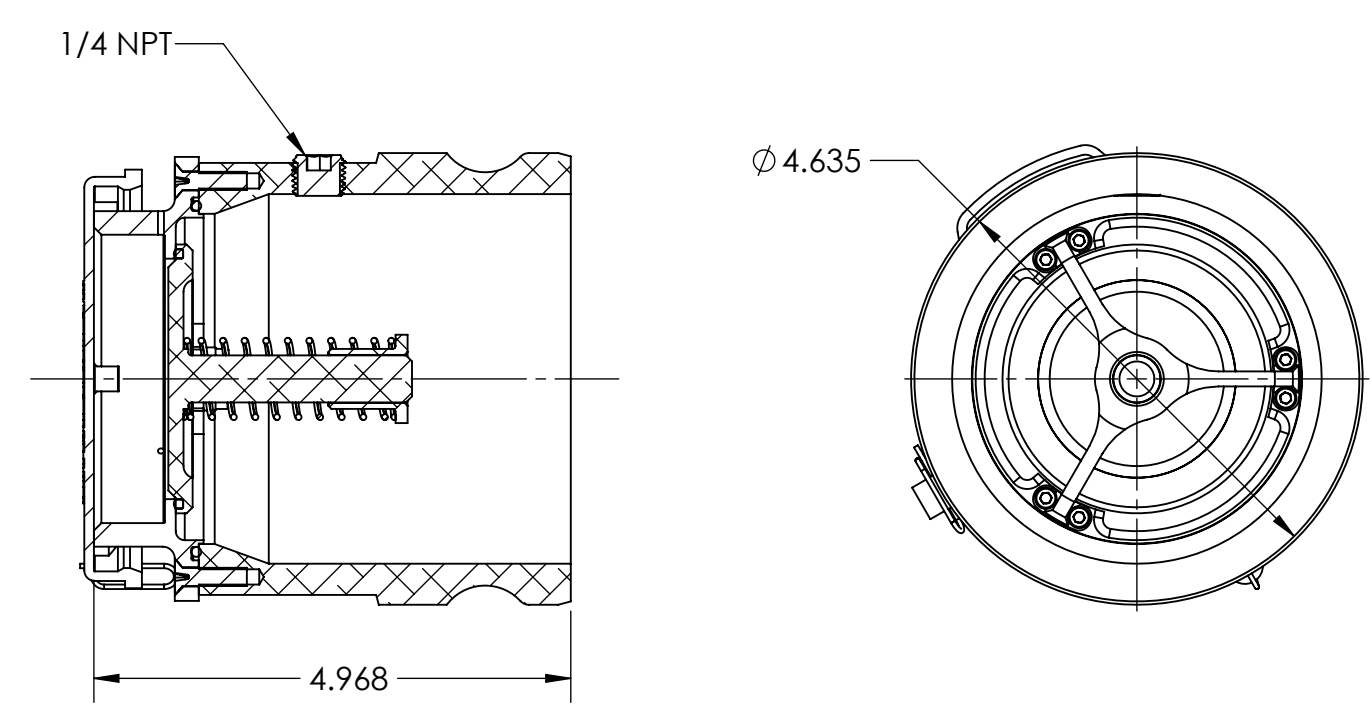
P/N PRA122C SHOWN WITH 3 INCH TTMA PIPE FLANGE



P/N PRA122J SHOWN WITH 3 INCH MALE CAMLOCK



P/N PRA122D SHOWN WITH 4 INCH TTMA PIPE FLANGE



P/N PRA122K SHOWN WITH 4 INCH MALE CAMLOCK

EXAMPLE :  
P/N PRA122A = BOTTOM LOADING ADAPTER WITH 3 INCH, 150 LB. ANSI FLANGE AND STANDARD RAYCON DUST CAP  
P/N PRA122D1 = BOTTOM LOADING ADAPTER WITH 4 INCH TTMA PIPE FLANGE AND FJORD STYLE DUST CAP  
P/N PRA122N2 = BOTTOM LOADING ADAPTER WITH 3 INCH VICTAULIC FITTING AND PRESSURE CAP

ITEM 2	OPTION	PART NO.	DESCRIPTIONS
2		PRA121E	BOTTOM LOADING ADAPTER WITH PRESSURE CAP
1		PRA121D	BOTTOM LOADING ADAPTER WITH FJORD STYLE DUST CAP
STD		PRA121	BOTTOM LOADING ADAPTER WITH STANDARD RAYCON DUST CAP

N	RJA1879	1	WITH 3 INCH VICTAULIC FITTING
M	RJA1164	1	WITH 4 INCH VICTAULIC FITTING
K	RJ1589	1	WITH 4 INCH MALE CAMLOCK
J	RJ1588	2	WITH 3 INCH MALE CAMLOCK
H	RJ1179	2	WITH 2 INCH FEMALE NPT
E	RJ0408	2	WITH 2.5 INCH FEMALE NPT
D	RJ0407	1	WITH 4 INCH TTMA PIPE FLANGE
C	RJ0406	1	WITH 3 INCH TTMA PIPE FLANGE
B	RJ0205	1	WITH 4 INCH, 150 LB. ANSI FLANGE
A	RJ0204	1	WITH 3 INCH, 150 LB. ANSI FLANGE
OPTION	ITEM 1 P/N	ITEM 3 QTY	DESCRIPTIONS

ITEM NO.	PART NUMBER	DESCRIPTION	VENDOR CAGE CODE	QTY.
1	SEE TAB	HOUSING		1
2	SEE TAB	BOTTOM LOADING ADAPTER		1
3	4464K562	PIPE PLUG	3A054	SEE TAB

**RAYCON INDUSTRIES**  
**TITLE: BOTTOM LOADING ADAPTER**  
**SIZE DWG. NO. REV**  
**D PRA122 A**  
**SCALE: 1:2 WEIGHT: SHEET 1 OF 1**

UNLESS OTHERWISE SPECIFIED:  
DIMENSIONS ARE IN INCHES  
TOLERANCES:  
FRACTIONAL: ± .005  
ANGULAR: MATCH ± BEND ±  
TWO PLACE DECIMAL ±  
THREE PLACE DECIMAL ±  
INTERPRET GEOMETRIC TOLERANCING PER MATERIAL  
DRAWN: NAME DATE  
JW 17/04/18  
CHECKED: ENG APPR.  
MFG APPR.  
Q.A.  
COMMENTS:

PROPRIETARY AND CONFIDENTIAL  
THE INFORMATION CONTAINED IN THIS DRAWING IS THE SOLE PROPERTY OF RAYCON INDUSTRIES. ANY REPRODUCTION IN PART OR AS A WHOLE WITHOUT THE WRITTEN PERMISSION OF RAYCON INDUSTRIES IS PROHIBITED.

NEXT ASSY USED ON FINISH APPLICATION