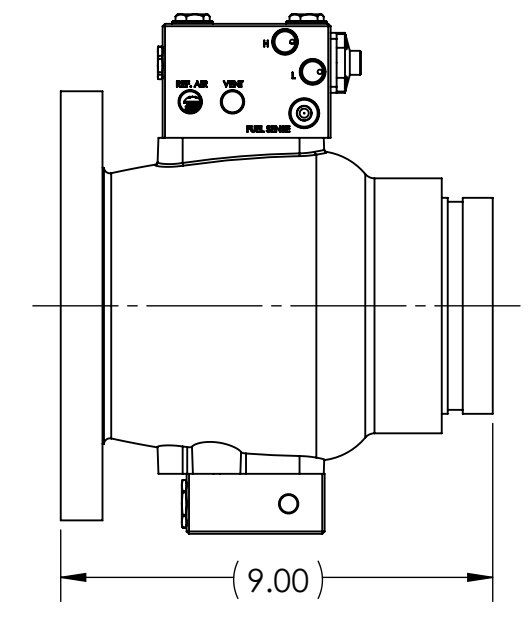
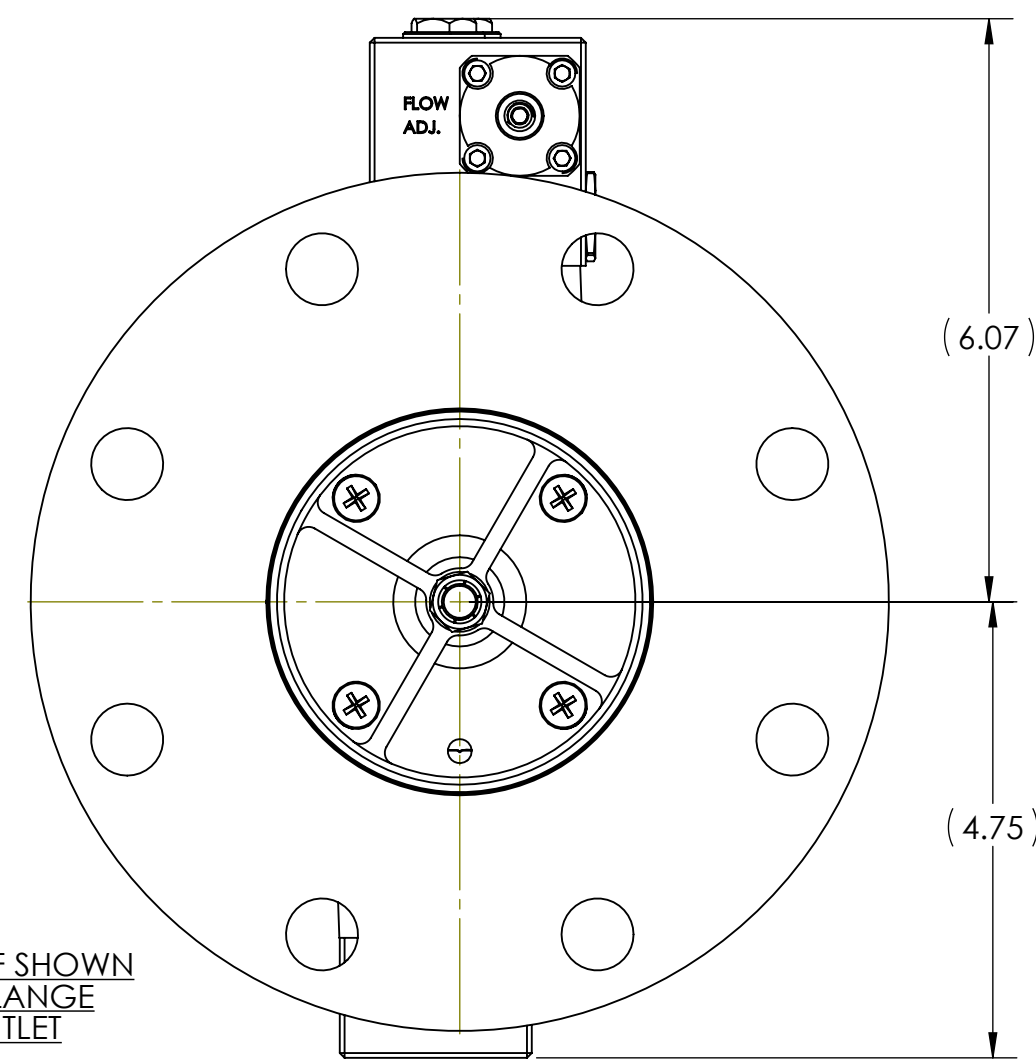
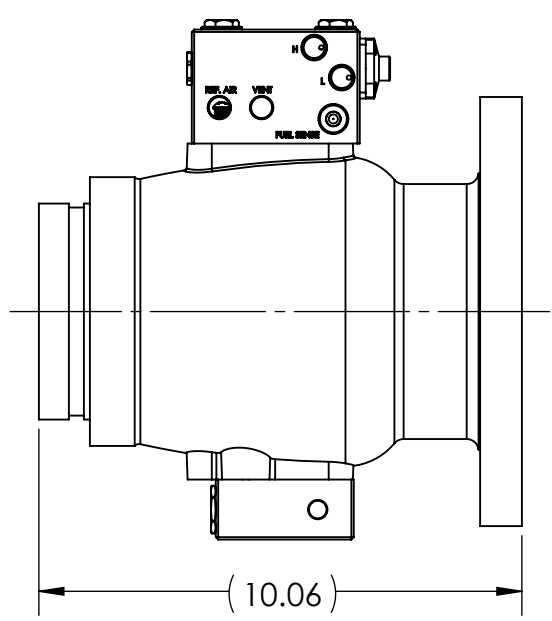


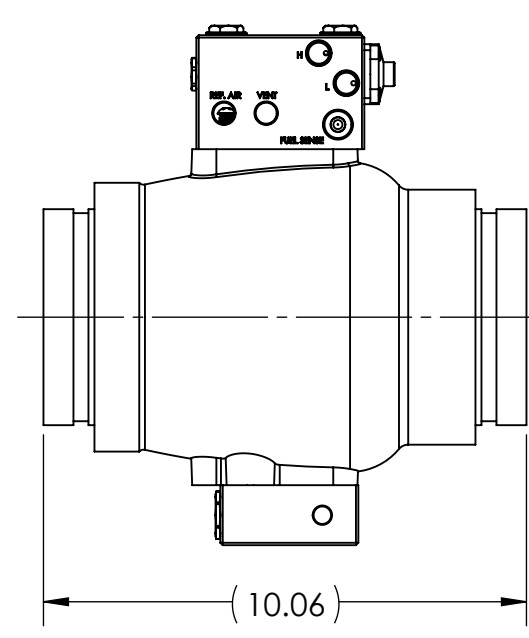
P/N PCV352FF SHOWN  
150 LB ANSI FLANGE  
INLET AND OUTLET



P/N PCV352FV SHOWN  
150 LB FLANGE LET  
VICTAULIC OUTLET



P/N PCV352VF SHOWN  
VICTAULIC INLET  
150 LB ANSI FLANGE OUTLET



P/N PCV352VV SHOWN  
VICTAULIC INLET AND OUTLET

ITEM NO.	PART NUMBER	DESCRIPTION	QTY.			
	PCV352FF	INLINE VALVE	X			
	PCV352FV			X		
	PCV352VF				X	
	PCV352VV					X
1	RJA1069FF	VALVE ASSEMBLY	1			
	RJA1069FV			1		
	RJA1069VF				1	
	RJA1069VV					1
2	RJA1242	MANIFOLD, INLINE VALVE, PNEUMATIC OPERATED, WITH PRESSURE AND FLOW RATE CONTROL	1	1	1	1
3	RJA1071	RELIEF VALVE	1	1	1	1

**PROPRIETARY AND CONFIDENTIAL**  
THE INFORMATION CONTAINED IN THIS DRAWING IS THE SOLE PROPERTY OF RAYCON INDUSTRIES. ANY REPRODUCTION IN PART OR AS A WHOLE WITHOUT THE WRITTEN PERMISSION OF RAYCON INDUSTRIES IS PROHIBITED.

UNLESS OTHERWISE SPECIFIED:		NAME	DATE
DIMENSIONS ARE IN INCHES	FRACTIONAL	DRAWN	JW 20/02/21
TOLERANCES:	ANGULAR: MACH BEND	CHECKED	
TWO PLACE DECIMAL	THREE PLACE DECIMAL	ENG APPR.	
		MFG APPR.	
INTERPRET GEOMETRIC TOLERANCING PER:		Q.A.	
MATERIAL		COMMENTS:	
FINISH			
APPLICATION	DO NOT SCALE DRAWING		

**RAYCON INDUSTRIES**

TITLE: **INLINE VALVE**  
4 INCH, PNEUMATIC OPERATED WITH FLOW RATE CONTROL & OUTLET PRESSURE RELIEF

SIZE DWG. NO. REV  
**C** **PCV352** -

SCALE: 1:4 WEIGHT: SHEET 1 OF 1