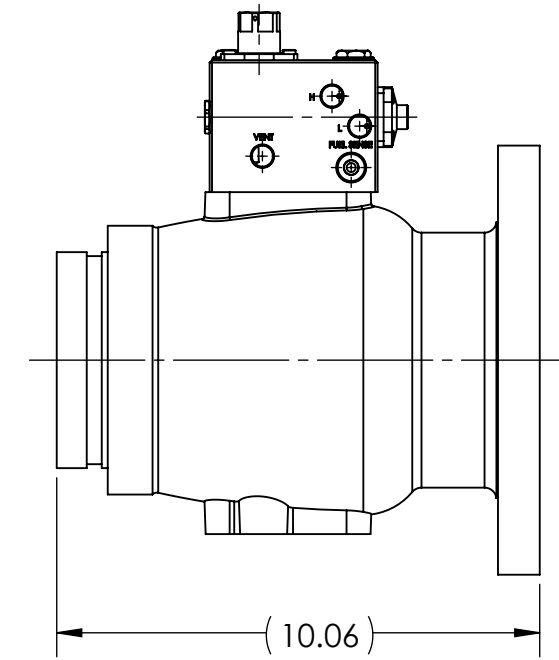
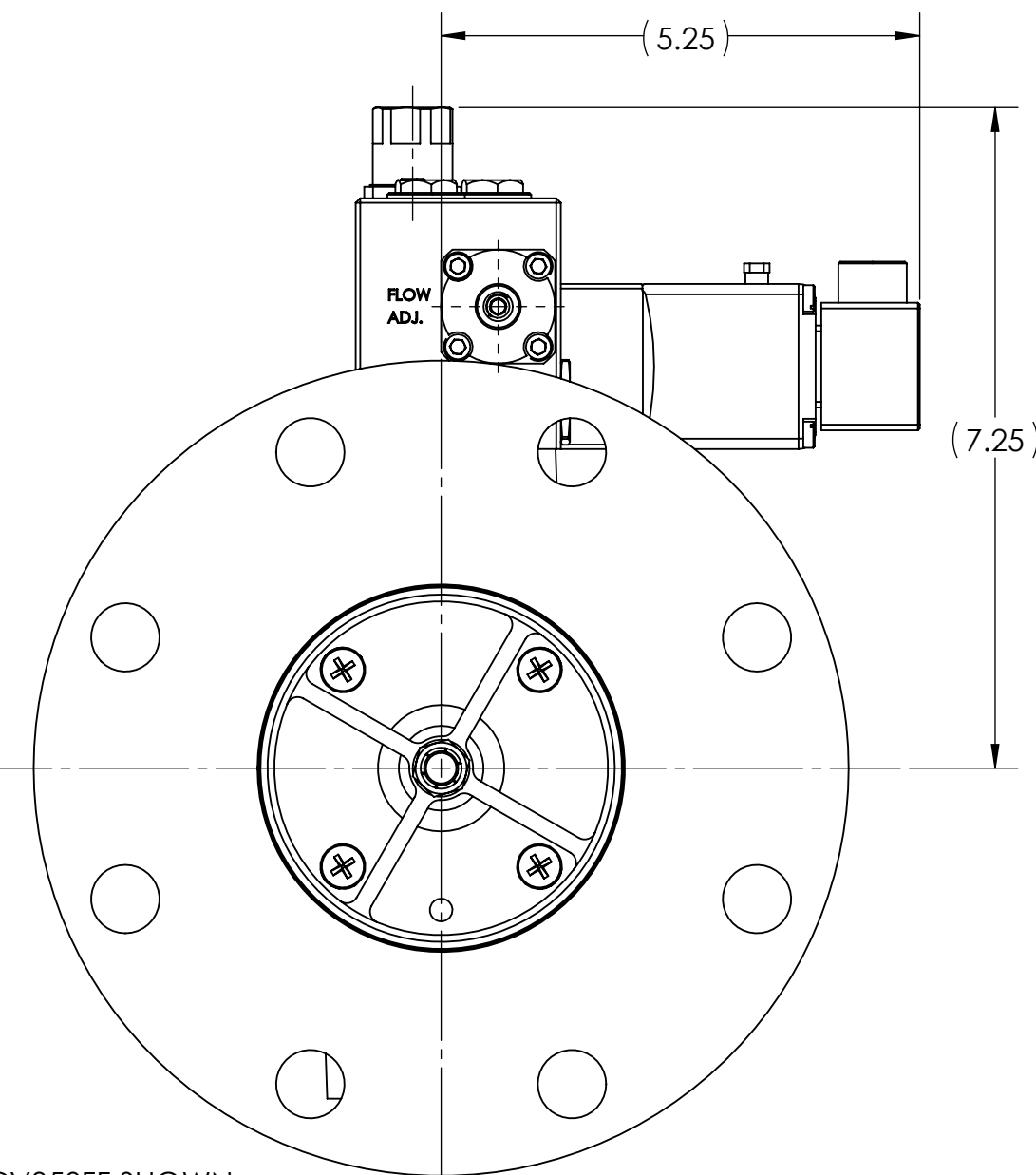
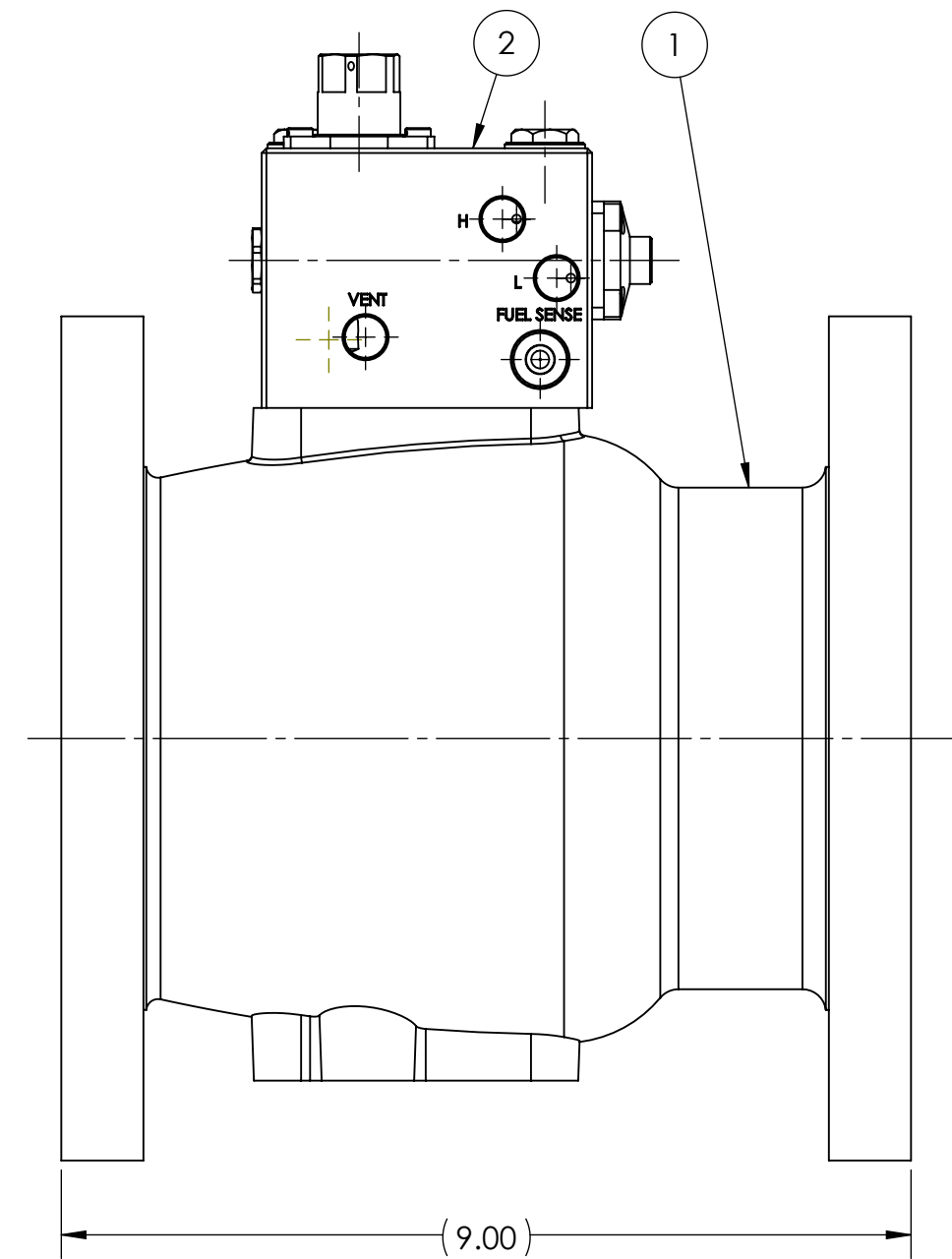


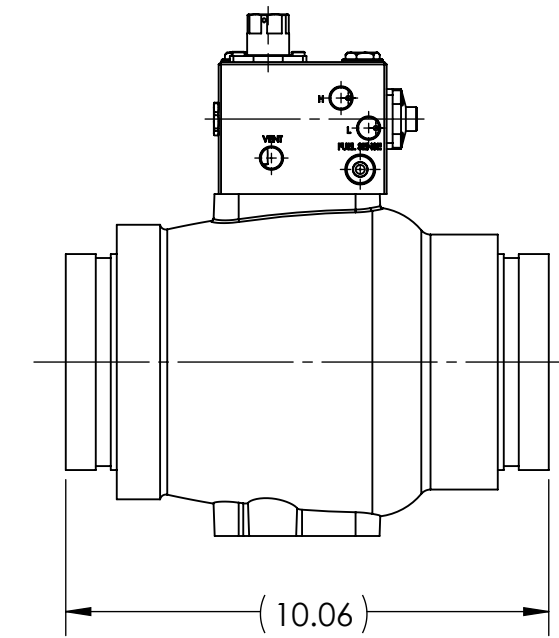
P/N PCV350FV SHOWN
150 LB FLANGE LET
VICTAULIC OUTLET



P/N PCV350VF SHOWN
VICTAULIC INLET
150 LB ANSI FLANGE OUTLET



P/N PCV350FF SHOWN
150 LB ANSI FLANGE
INLET AND OUTLET



P/N PCV350VV SHOWN
VICTAULIC INLET AND OUTLET

ITEM NO.	PART NUMBER	DESCRIPTION	QTY.						
	PCV350FF-12VDC	INLINE VALVE	X						
	PCV350FF-24VDC			X					
	PCV350FV-12VDC				X				
	PCV350FV-24VDC					X			
	PCV350VF-12VDC						X		
	PCV350VF-24VDC							X	
	PCV350VV-12VDC								X
	PCV350VV-24VDC								X
1	RJA1074FF	VALVE ASSEMBLY	1	1					
	RJA1074FV				1	1			
	RJA1074VF						1	1	
	RJA1074VV								1 1
2	RJA1257-12VDC	MANIFOLD, INLINE VALVE, ELECTRO-HYDRAULIC OPERATED, WITH PRESSURE AND FLOW RATE CONTROL	1	1	1	1	1	1	
	RJA1257-24VDC			1	1	1	1	1	

PROPRIETARY AND CONFIDENTIAL
THE INFORMATION CONTAINED IN THIS DRAWING IS THE SOLE PROPERTY OF RAYCON INDUSTRIES. ANY REPRODUCTION IN PART OR AS A WHOLE WITHOUT THE WRITTEN PERMISSION OF RAYCON INDUSTRIES IS PROHIBITED.

UNLESS OTHERWISE SPECIFIED:		NAME	DATE
DIMENSIONS ARE IN INCHES		JW	20/02/07
TOLERANCES:		CHECKED	
FRACTIONAL		ENG APPR.	
ANGULAR: MACH BEND		MFG APPR.	
TWO PLACE DECIMAL		Q.A.	
THREE PLACE DECIMAL		COMMENTS:	
INTERPRET GEOMETRIC TOLERANCING PER:			
MATERIAL			
FINISH			
APPLICATION			
DO NOT SCALE DRAWING			

RAYCON INDUSTRIES

TITLE:
INLINE VALVE
4 INCH, ELECTRO-HYDRAULIC OPERATED WITH PRESSURE & FLOW RATE CONTROL

SIZE	DWG. NO.	REV
C	PCV350	-

SCALE: 1:4 WEIGHT: SHEET 1 OF 1