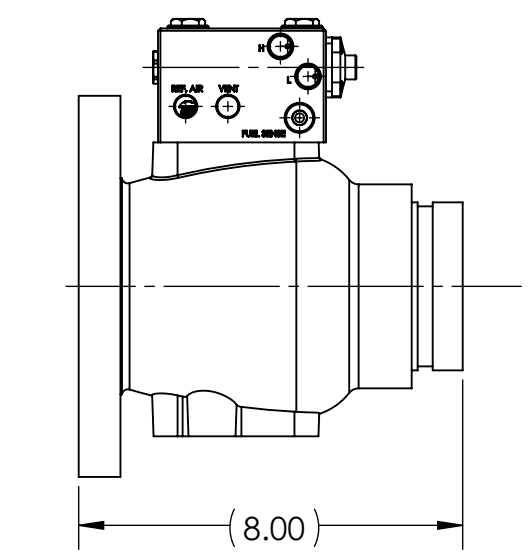
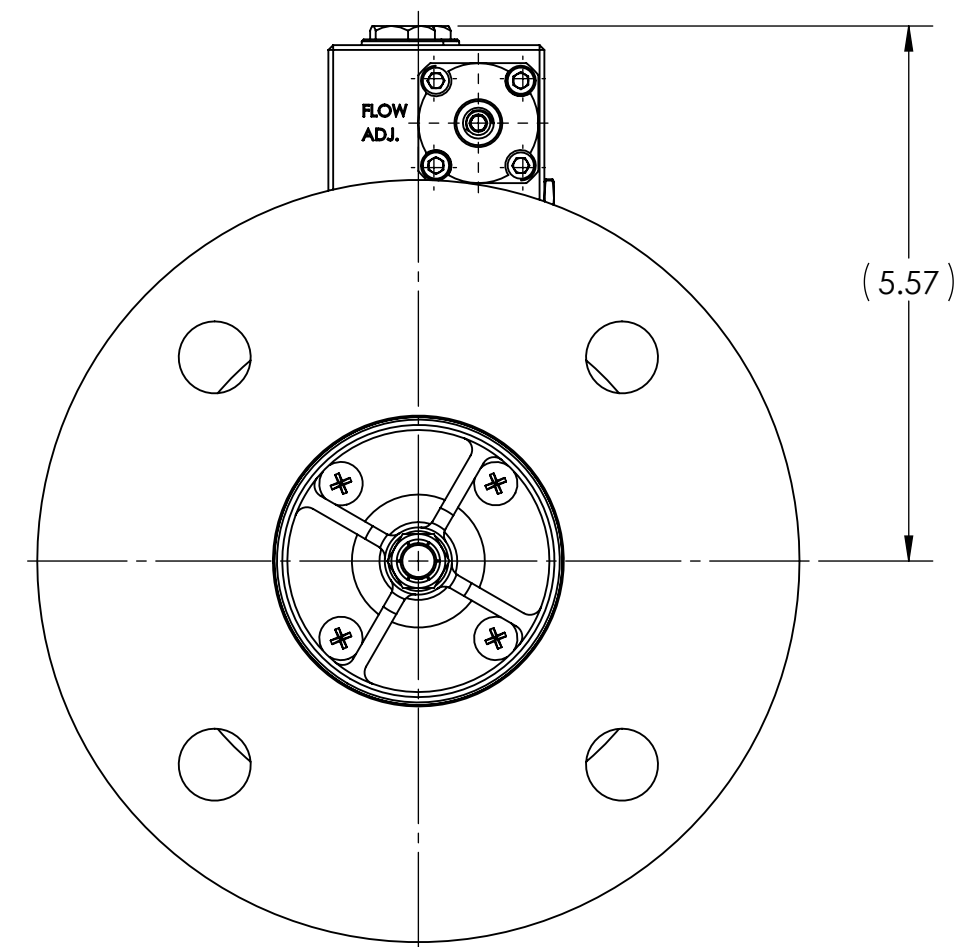
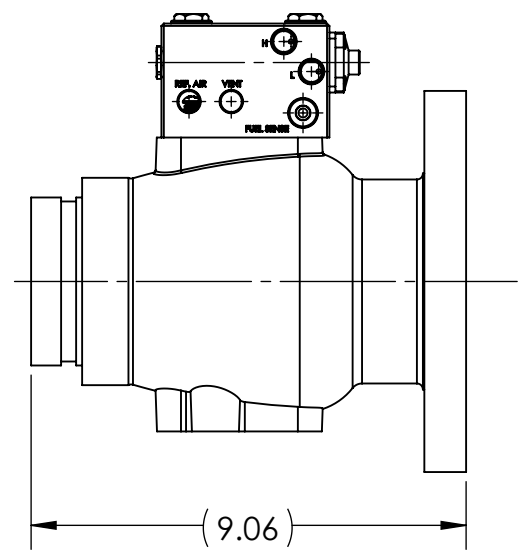


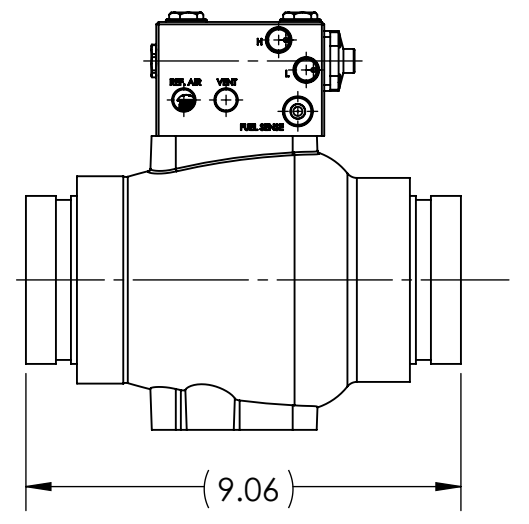
P/N PCV349 SHOWN
150 LB ANSI FLANGE
INLET AND OUTLET



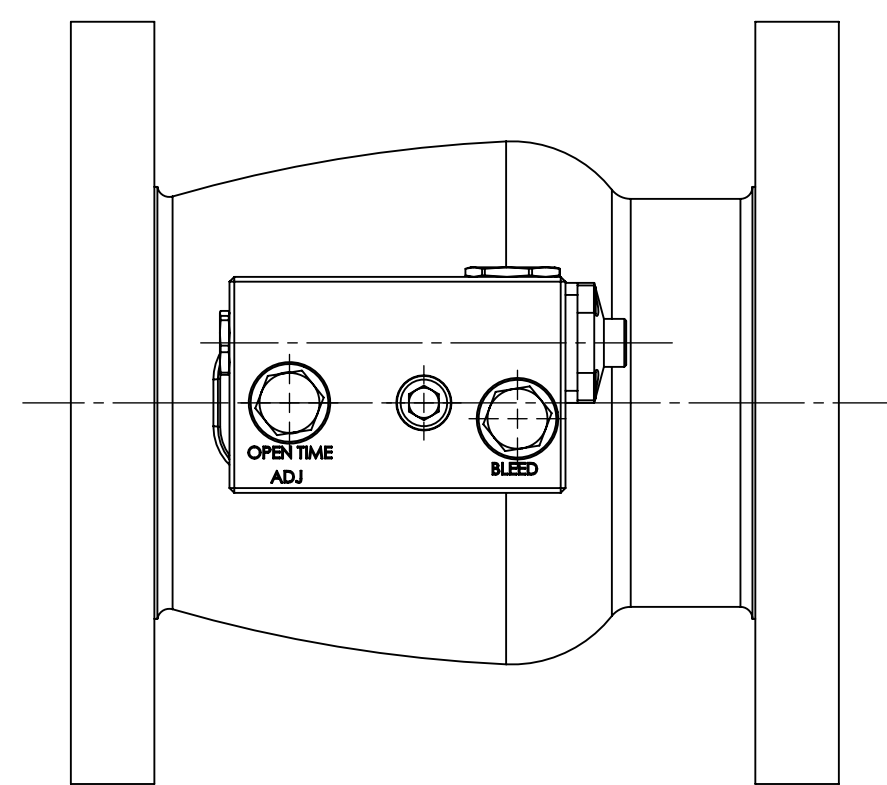
P/N PCV349FV SHOWN



P/N PCV349VF SHOWN



P/N PCV349VV SHOWN



ITEM NO.	PART NUMBER	DESCRIPTION	QTY.			
	PCV349FF	INLINE VALVE	X			
	PCV349FV			X		
	PCV349VF				X	
	PCV349VV					X
1	RJA1112FF	VALVE ASSEMBLY	1			
	RJA1112FV			1		
	RJA1112VF				1	
	RJA1112VV					1
2	RJA1257-12VDC	MANIFOLD, INLINE VALVE,	1	1	1	1

PROPRIETARY AND CONFIDENTIAL
THE INFORMATION CONTAINED IN THIS DRAWING IS THE SOLE PROPERTY OF RAYCON INDUSTRIES. ANY REPRODUCTION IN PART OR AS A WHOLE WITHOUT THE WRITTEN PERMISSION OF RAYCON INDUSTRIES IS PROHIBITED.

UNLESS OTHERWISE SPECIFIED:		NAME	DATE
DIMENSIONS ARE IN INCHES		JW	20/02/07
TOLERANCES:		CHECKED	
FRACTIONAL		ENG APPR.	
ANGULAR: MACH BEND		MFG APPR.	
TWO PLACE DECIMAL		Q.A.	
THREE PLACE DECIMAL		COMMENTS:	
INTERPRET GEOMETRIC TOLERANCING PER:			
MATERIAL			
FINISH			
APPLICATION	DO NOT SCALE DRAWING		

RAYCON INDUSTRIES

TITLE:
INLINE VALVE
3 INCH, PNEUMATIC OPERATED
WITH PRESSURE & FLOW RATE CONTROL

SIZE	DWG. NO.	REV
C	PCV349	-

SCALE: 1:4 WEIGHT: SHEET 1 OF 1