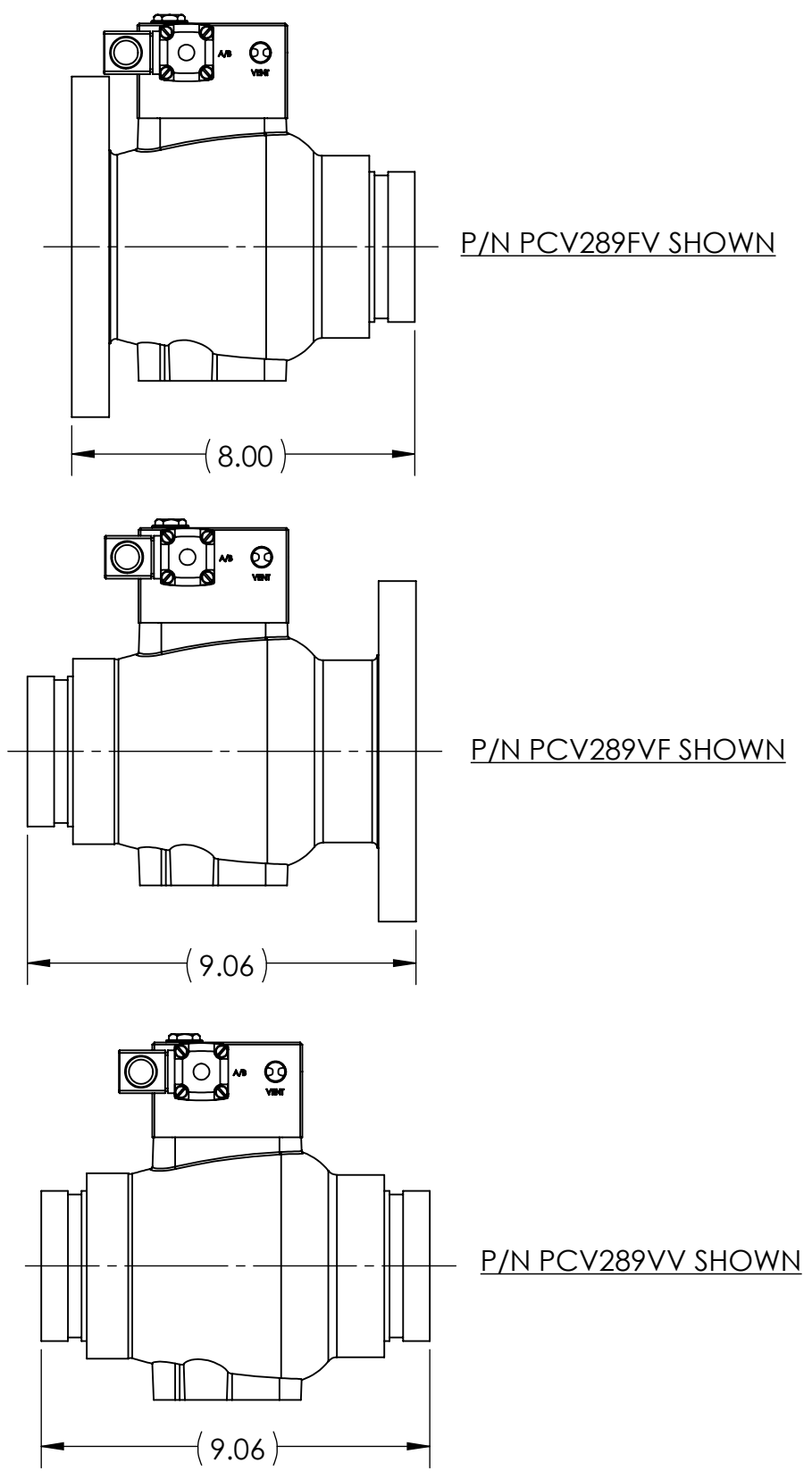
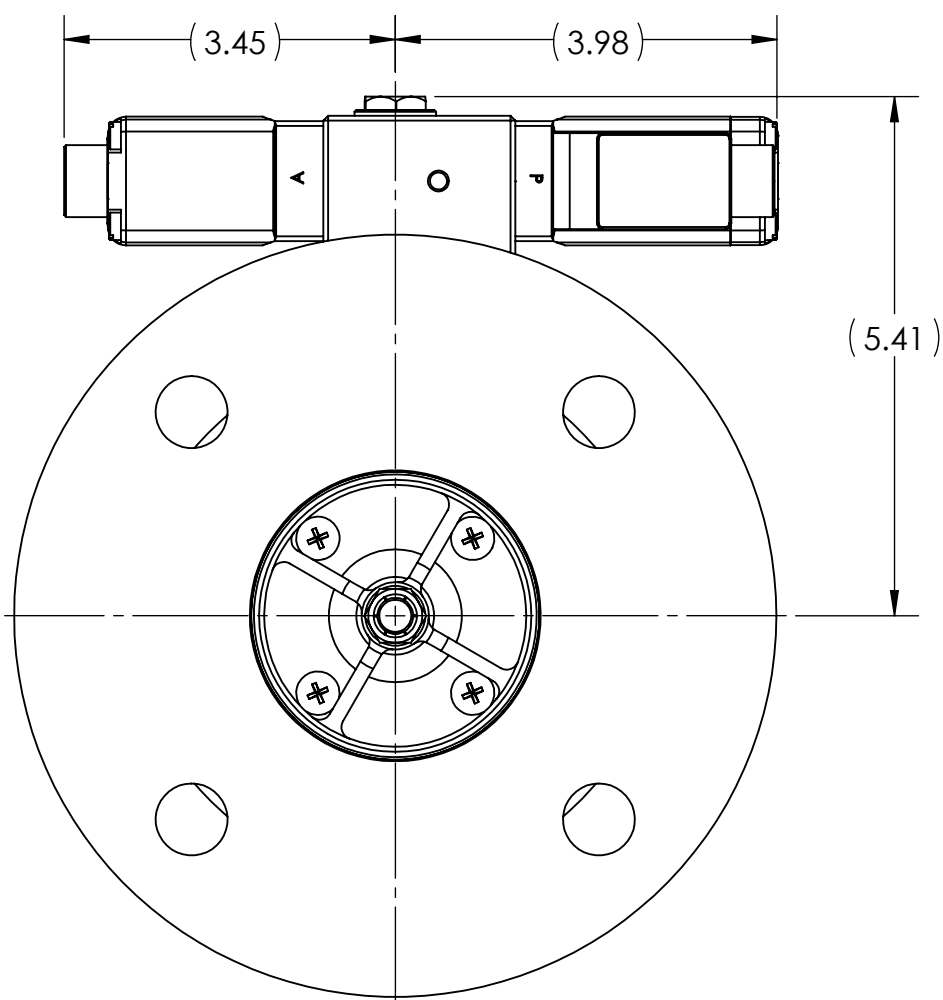


P/N PCV289FF SHOWN



ITEM NO.	PART NUMBER	DESCRIPTION	QTY.					
1	PCV289FF-12VDC	BYPASS VALVE	X					
	PCV289FF-24VDC		X					
	PCV289FV-12VDC			X				
	PCV289FV-24VDC				X			
	PCV289VF-12VDC					X		
	PCV289VF-24VDC						X	
	PCV289VV-12VDC							X
	PCV289VV-24VDC							
1	RJA1112FF	VALVE ASSEMBLY	1	1				
	RJA1112FV				1	1		
	RJA1112VF						1	1
	RJA1112VV							1
2	RJA1089-12VDC	MANIFOLD, BYPASS VALVE	1		1	1	1	
	RJA1089-24VDC			1	1	1	1	

**PROPRIETARY AND CONFIDENTIAL**  
 THE INFORMATION CONTAINED IN THIS DRAWING IS THE SOLE PROPERTY OF RAYCON INDUSTRIES. ANY REPRODUCTION IN PART OR AS A WHOLE WITHOUT THE WRITTEN PERMISSION OF RAYCON INDUSTRIES IS PROHIBITED.

UNLESS OTHERWISE SPECIFIED:		NAME	DATE
DIMENSIONS ARE IN INCHES		DRAWN	JW 17/11/10
TOLERANCES:		CHECKED	
FRACTIONAL ±		ENG APPR.	
ANGULAR: MACH ±	BEND ±	MFG APPR.	
TWO PLACE DECIMAL ±		Q.A.	
THREE PLACE DECIMAL ±		COMMENTS:	
MATERIAL			
FINISH			
APPLICATION	DO NOT SCALE DRAWING		

**RAYCON INDUSTRIES**

TITLE:  
**BYPASS VALVE**  
 3 INCH, DIGITAL CONTROLLED

SIZE DWG. NO. REV  
**C** PCV289 -

SCALE: 1:4 WEIGHT: SHEET 1 OF 1