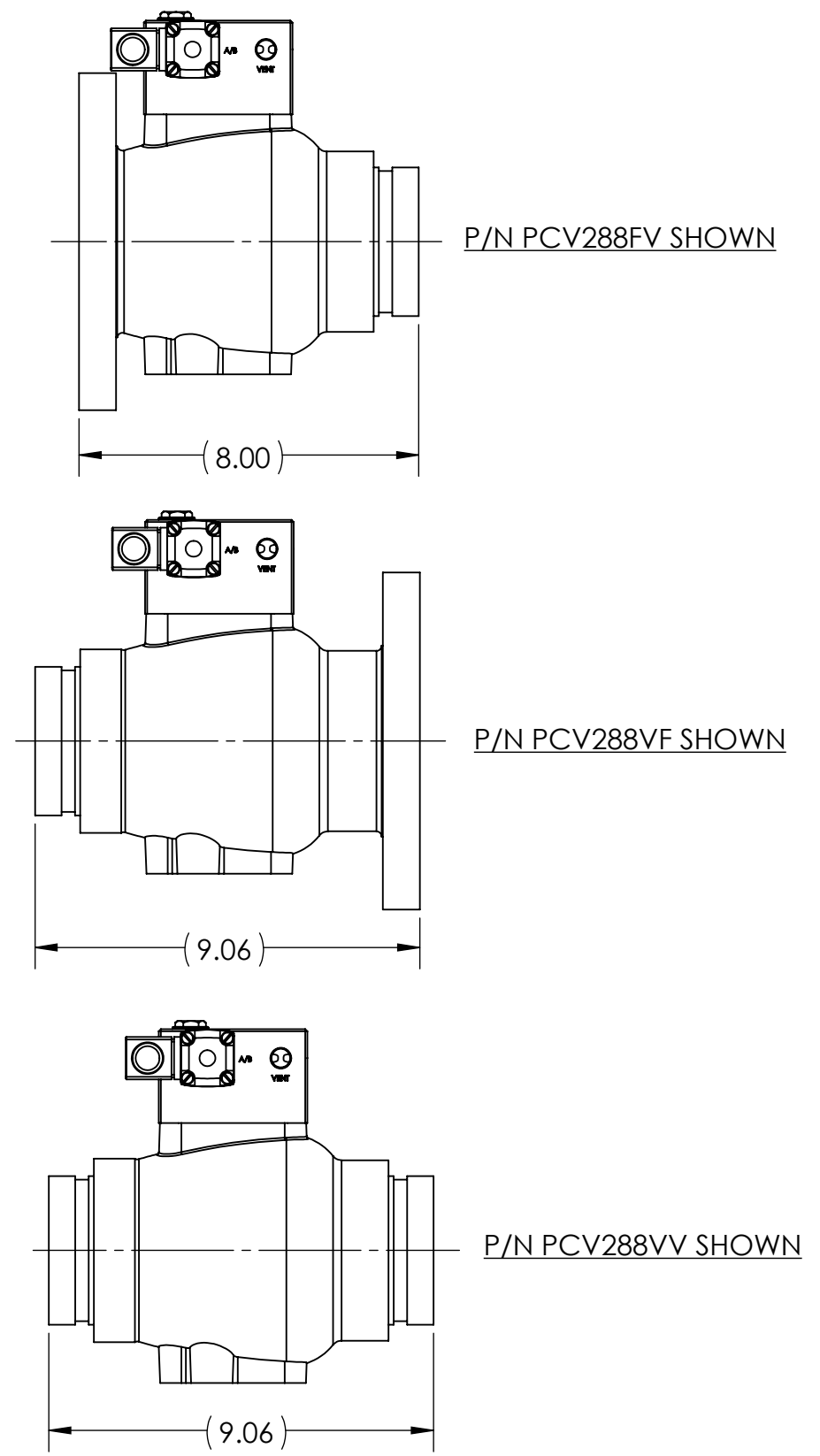
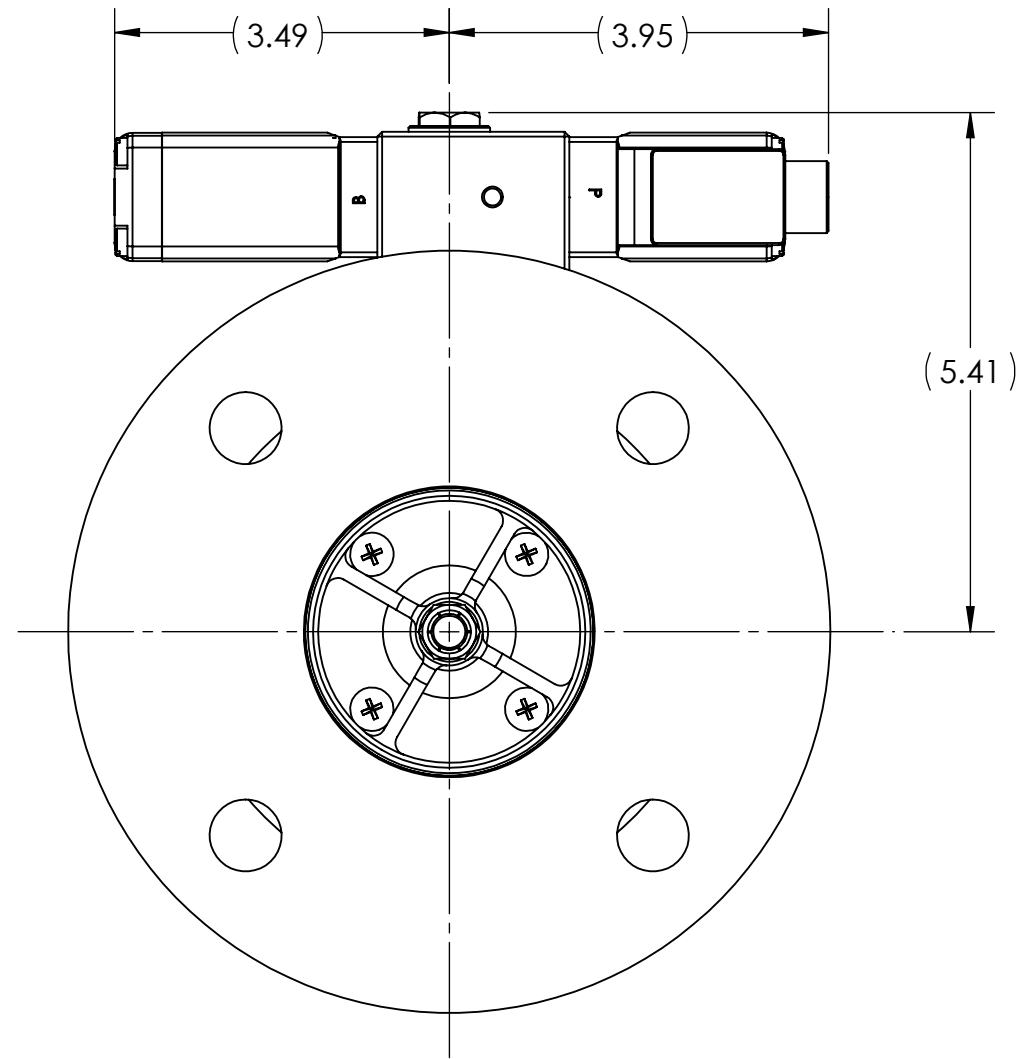


P/N PCV288FF SHOWN



P/N PCV288FV SHOWN

P/N PCV288VF SHOWN

P/N PCV288VV SHOWN

ITEM NO.	PART NUMBER	DESCRIPTION	QTY.					
	PCV288FF-12VDC	INLINE VALVE	X					
	PCV288FF-24VDC			X				
	PCV288FV-12VDC				X			
	PCV288FV-24VDC					X		
	PCV288VF-12VDC						X	
	PCV288VF-24VDC							X
	PCV288VV-12VDC							X
	PCV288VV-24VDC							
1	RJA1112FF	VALVE ASSEMBLY	1	1				
	RJA1112FV				1	1		
	RJA1112VF						1	1
	RJA1112VV							1
2	RJA1087-12VDC	MANIFOLD, INLINE VALVE	1		1	1	1	
	RJA1087-24VDC			1	1	1	1	

PROPRIETARY AND CONFIDENTIAL
 THE INFORMATION CONTAINED IN THIS DRAWING IS THE SOLE PROPERTY OF RAYCON INDUSTRIES. ANY REPRODUCTION IN PART OR AS A WHOLE WITHOUT THE WRITTEN PERMISSION OF RAYCON INDUSTRIES IS PROHIBITED.

UNLESS OTHERWISE SPECIFIED:		NAME	DATE	
DIMENSIONS ARE IN INCHES	TOLERANCES:	DRAWN	JW	17/11/10
FRACTIONAL ±	ANGULAR: MACH ±	CHECKED		
TWO PLACE DECIMAL ±	BEND ±	ENG APPR.		
THREE PLACE DECIMAL ±		MFG APPR.		
INTERPRET GEOMETRIC TOLERANCING PER:		Q.A.		
MATERIAL		COMMENTS:		
FINISH				
NEXT ASSY	USED ON			
APPLICATION	DO NOT SCALE DRAWING			

RAYCON INDUSTRIES

TITLE:
INLINE VALVE
 3 INCH, DIGITAL CONTROLLED WITHOUT OUTLET PRESSURE RELIEF

SIZE DWG. NO. REV
C **PCV288** -

SCALE: 1:4 WEIGHT: SHEET 1 OF 1