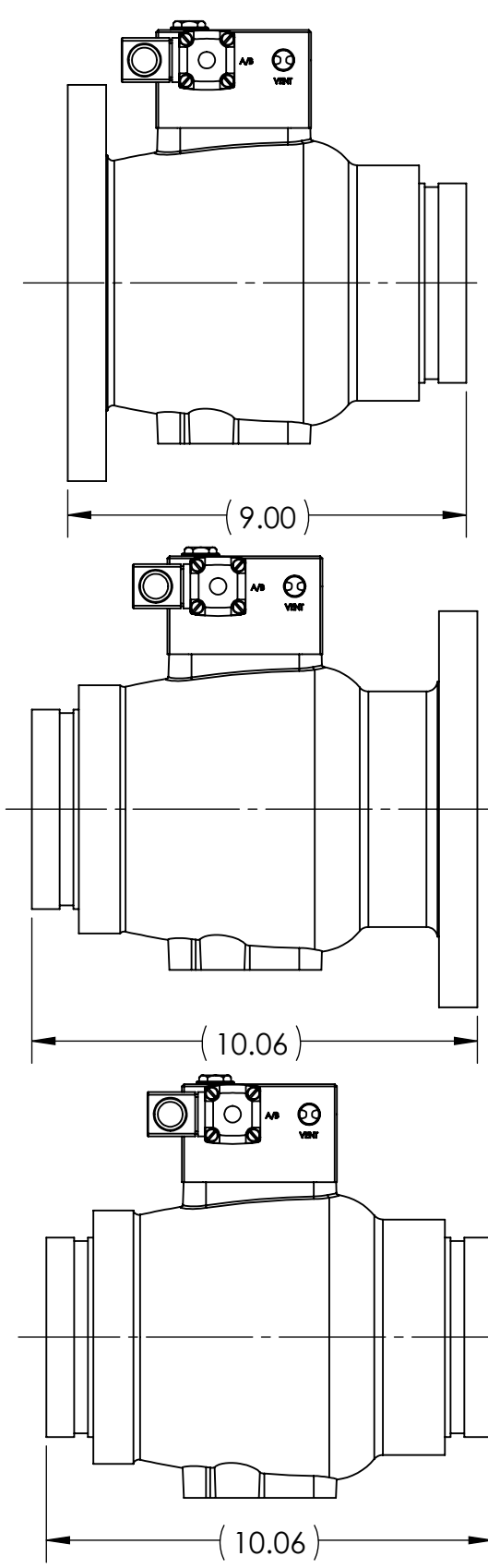


P/N PCV287FF SHOWN



ITEM NO.	PART NUMBER	DESCRIPTION	QTY.					
1	PCV287FF-12VDC	BYPASS VALVE	X					
	PCV287FF-24VDC		X					
	PCV287FV-12VDC			X				
	PCV287FV-24VDC				X			
	PCV287VF-12VDC					X		
	PCV287VF-24VDC						X	
	PCV287VV-12VDC							X
	PCV287VV-24VDC							
1	RJA1074FF	VALVE ASSEMBLY	1	1				
	RJA1074FV				1	1		
	RJA1074VF						1	1
	RJA1074VV							1
2	RJA1089-12VDC	MANIFOLD, BYPASS VALVE	1		1	1	1	
	RJA1089-24VDC			1	1	1	1	

PROPRIETARY AND CONFIDENTIAL
 THE INFORMATION CONTAINED IN THIS DRAWING IS THE SOLE PROPERTY OF RAYCON INDUSTRIES. ANY REPRODUCTION IN PART OR AS A WHOLE WITHOUT THE WRITTEN PERMISSION OF RAYCON INDUSTRIES IS PROHIBITED.

UNLESS OTHERWISE SPECIFIED:		NAME	DATE
DIMENSIONS ARE IN INCHES		DRAWN	JW 17/11/10
TOLERANCES:		CHECKED	
FRACTIONAL ±		ENG APPR.	
ANGULAR: MACH ±	BEND ±	MFG APPR.	
TWO PLACE DECIMAL ±	THREE PLACE DECIMAL ±	Q.A.	
		COMMENTS:	
NEXT ASSY	USED ON		
APPLICATION	DO NOT SCALE DRAWING		

RAYCON INDUSTRIES

TITLE:
BYPASS VALVE
 4 INCH, DIGITAL CONTROLLED

SIZE DWG. NO. REV
C PCV287 -

SCALE: 1:4 WEIGHT: SHEET 1 OF 1