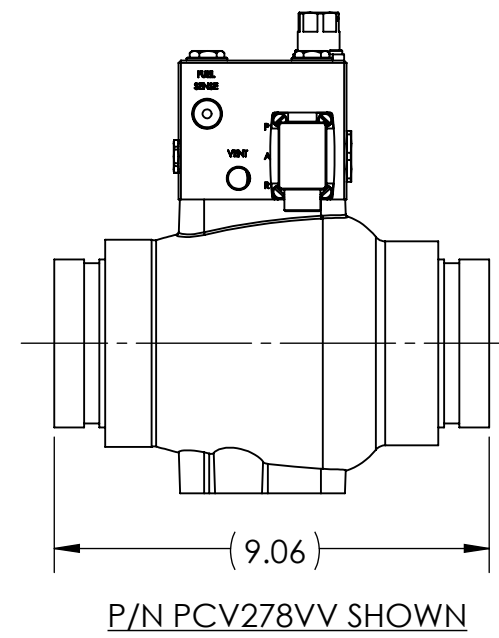
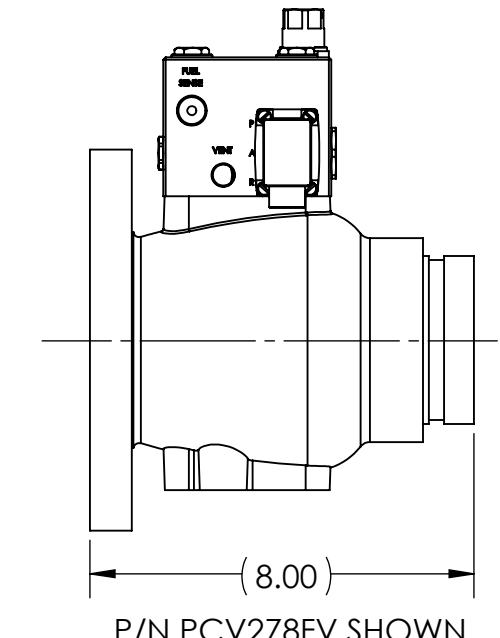


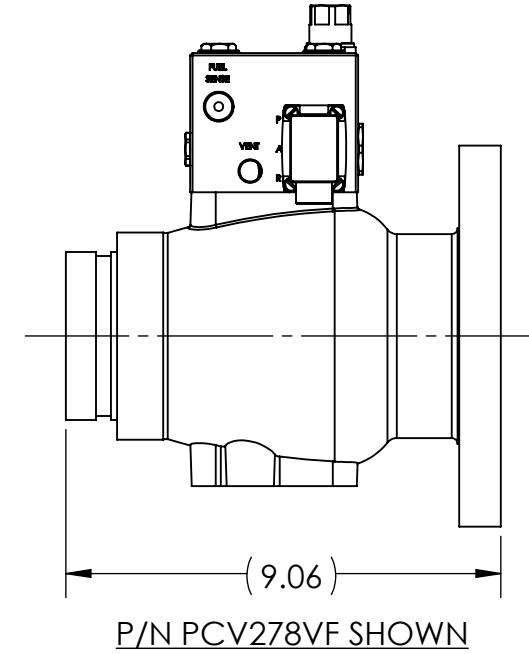
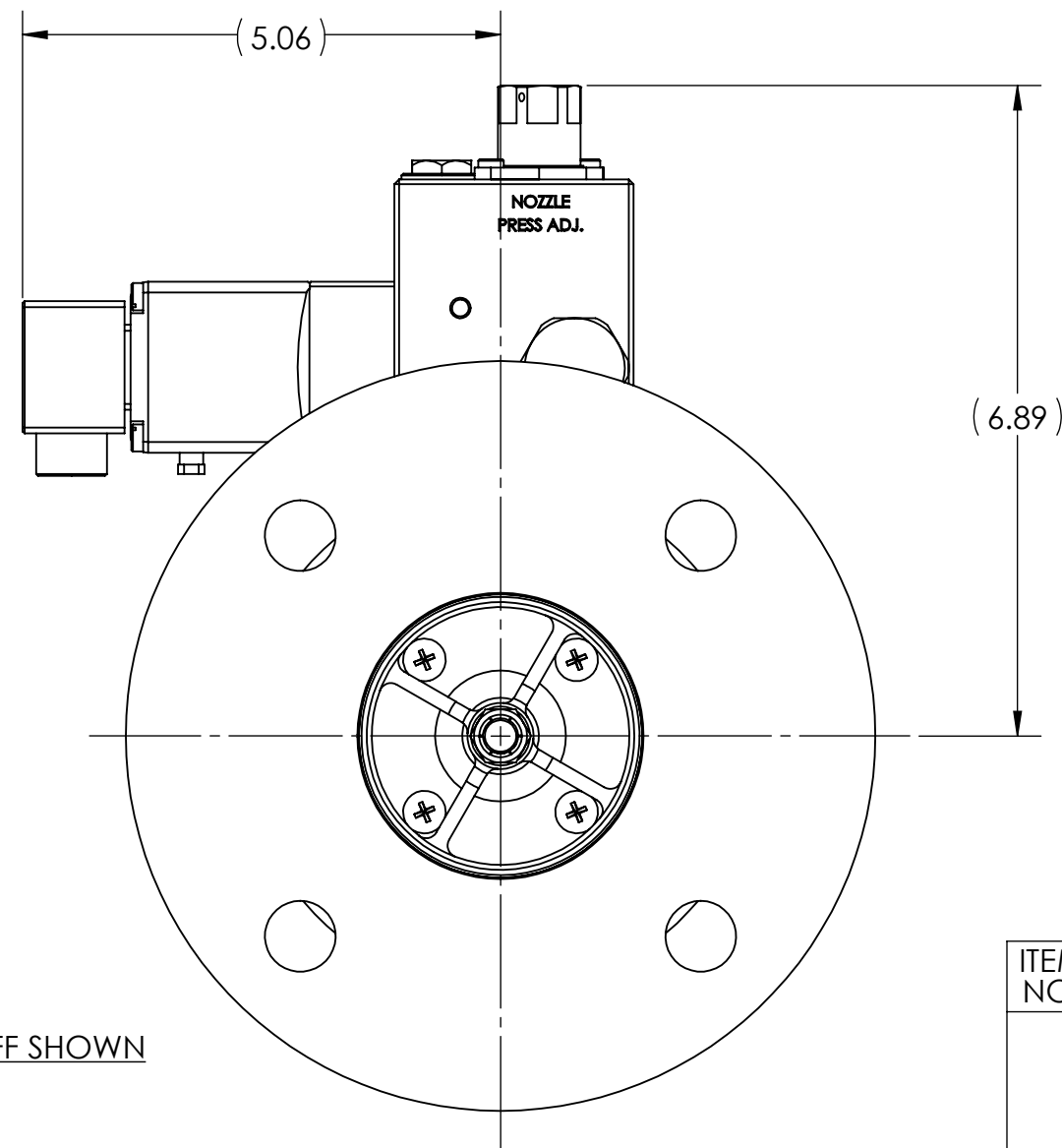
P/N PCV278FF SHOWN



P/N PCV278VV SHOWN



P/N PCV278FV SHOWN



P/N PCV278VF SHOWN

ITEM NO.	PART NUMBER	DESCRIPTION	QTY.					
1	PCV278FF-12VDC	BYPASS VALVE	X					
	PCV278FF-24VDC		X					
	PCV278FV-12VDC			X				
	PCV278FV-24VDC				X			
	PCV278VF-12VDC					X		
	PCV278VF-24VDC						X	
	PCV278VV-12VDC							X
	PCV278VV-24VDC							
2	RJA1112FF	VALVE ASSEMBLY	1	1				
	RJA1112FV				1	1		
	RJA1112VF					1	1	
	RJA1112VV						1	1
2	RJA1081-12VDC	MANIFOLD, BYPASS VALVE	1	1	1	1		
	RJA1081-24VDC		1	1	1	1		

PROPRIETARY AND CONFIDENTIAL
 THE INFORMATION CONTAINED IN THIS DRAWING IS THE SOLE PROPERTY OF RAYCON INDUSTRIES. ANY REPRODUCTION IN PART OR AS A WHOLE WITHOUT THE WRITTEN PERMISSION OF RAYCON INDUSTRIES IS PROHIBITED.

UNLESS OTHERWISE SPECIFIED:		NAME	DATE	
DIMENSIONS ARE IN INCHES	TOLERANCES:	DRAWN	JW	17/09/18
FRACTIONAL ±	ANGULAR: MACH ±	CHECKED		
TWO PLACE DECIMAL ±	BEND ±	ENG APPR.		
THREE PLACE DECIMAL ±		MFG APPR.		
INTERPRET GEOMETRIC TOLERANCING PER:	MATERIAL	Q.A.		
	FINISH	COMMENTS:		
NEXT ASSY	USED ON			
APPLICATION	DO NOT SCALE DRAWING			

RAYCON INDUSTRIES

TITLE:
BYPASS VALVE
 3 INCH, ELECTRO-HYDRAULIC OPERATED WITHOUT PUMP PRESSURE CONTROL

SIZE DWG. NO. REV
C PCV278 -

SCALE: 1:4 WEIGHT: SHEET 1 OF 1