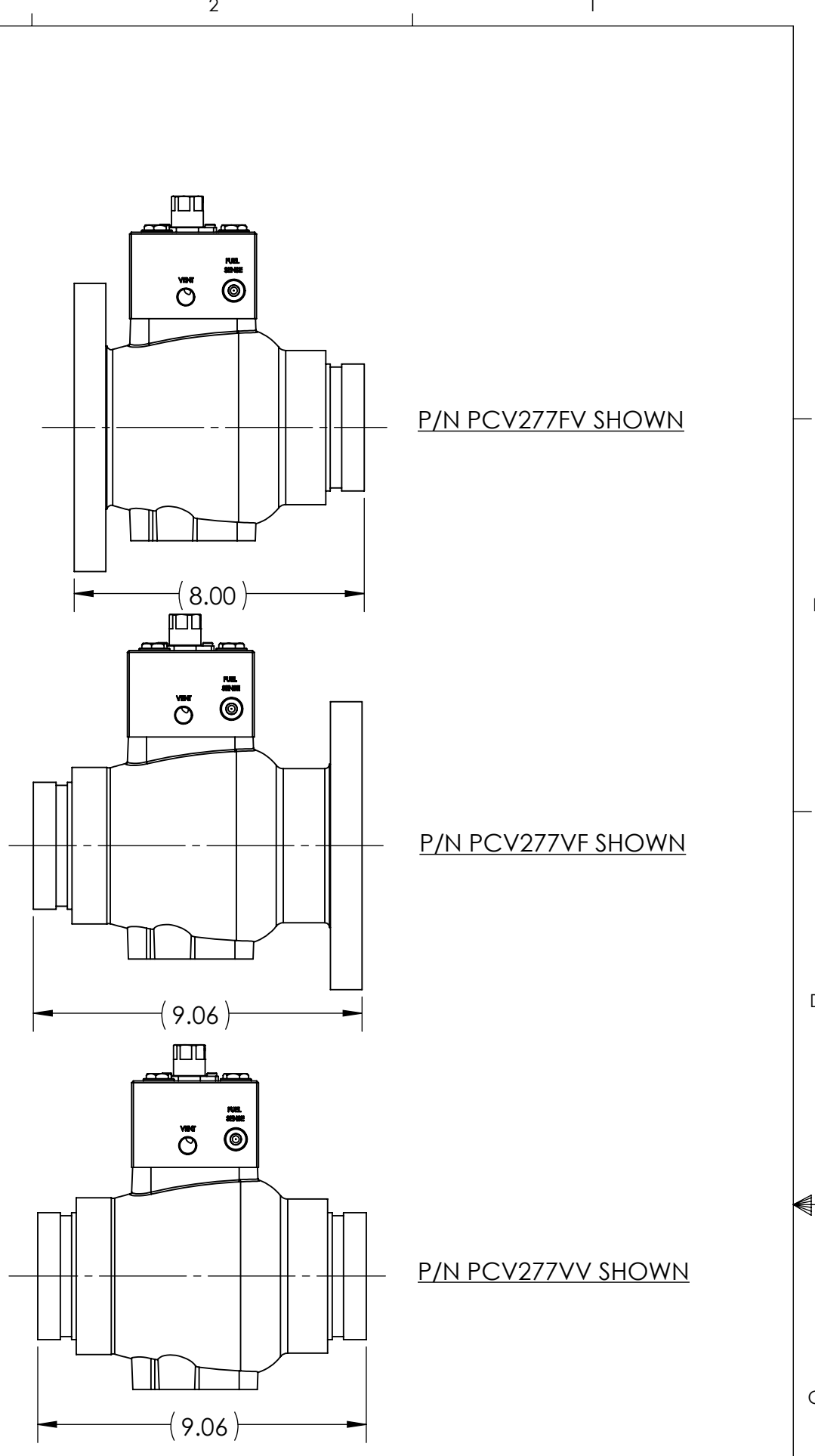


P/N PCV277FF SHOWN



ITEM NO.	PART NUMBER	DESCRIPTION	QTY.						
			1	2	3	4	5		
	PCV277FF-12VDC	INLINE VALVE	X						
	PCV277FF-24VDC			X					
	PCV277FV-12VDC				X				
	PCV277FV-24VDC					X			
	PCV277VF-12VDC						X		
	PCV277VF-24VDC							X	
	PCV277VV-12VDC								X
	PCV277VV-24VDC								
1	RJA1080-12VDC	MANIFOLD, INLINE VALVE,	1	1	1	1			
	RJA1080-24VDC		1	1	1	1			
2	RJA1112FF	VALVE ASSEMBLY	1	1					
	RJA1112FV			1	1				
	RJA1112VF					1	1		
	RJA1112VV						1	1	

PROPRIETARY AND CONFIDENTIAL
 THE INFORMATION CONTAINED IN THIS DRAWING IS THE SOLE PROPERTY OF RAYCON INDUSTRIES. ANY REPRODUCTION IN PART OR AS A WHOLE WITHOUT THE WRITTEN PERMISSION OF RAYCON INDUSTRIES IS PROHIBITED.

UNLESS OTHERWISE SPECIFIED:	NAME	DATE	
DIMENSIONS ARE IN INCHES	DRAWN	JW	17/09/18
TOLERANCES:	CHECKED		
FRACTIONAL ±	ENG APPR.		
ANGULAR: MACH ±	MFG APPR.		
BEND ±	Q.A.		
TWO PLACE DECIMAL ±	COMMENTS:		
THREE PLACE DECIMAL ±			
INTERPRET GEOMETRIC TOLERANCING PER:			
MATERIAL			
FINISH			
APPLICATION			
DO NOT SCALE DRAWING			

RAYCON INDUSTRIES

TITLE:
INLINE VALVE
 3 INCH, ELECTRO-HYDRAULIC OPERATED WITHOUT OUTLET PRESSURE RELIEF

SIZE	DWG. NO.	REV
C	PCV277	-

SCALE: 1:4 WEIGHT: SHEET 1 OF 1