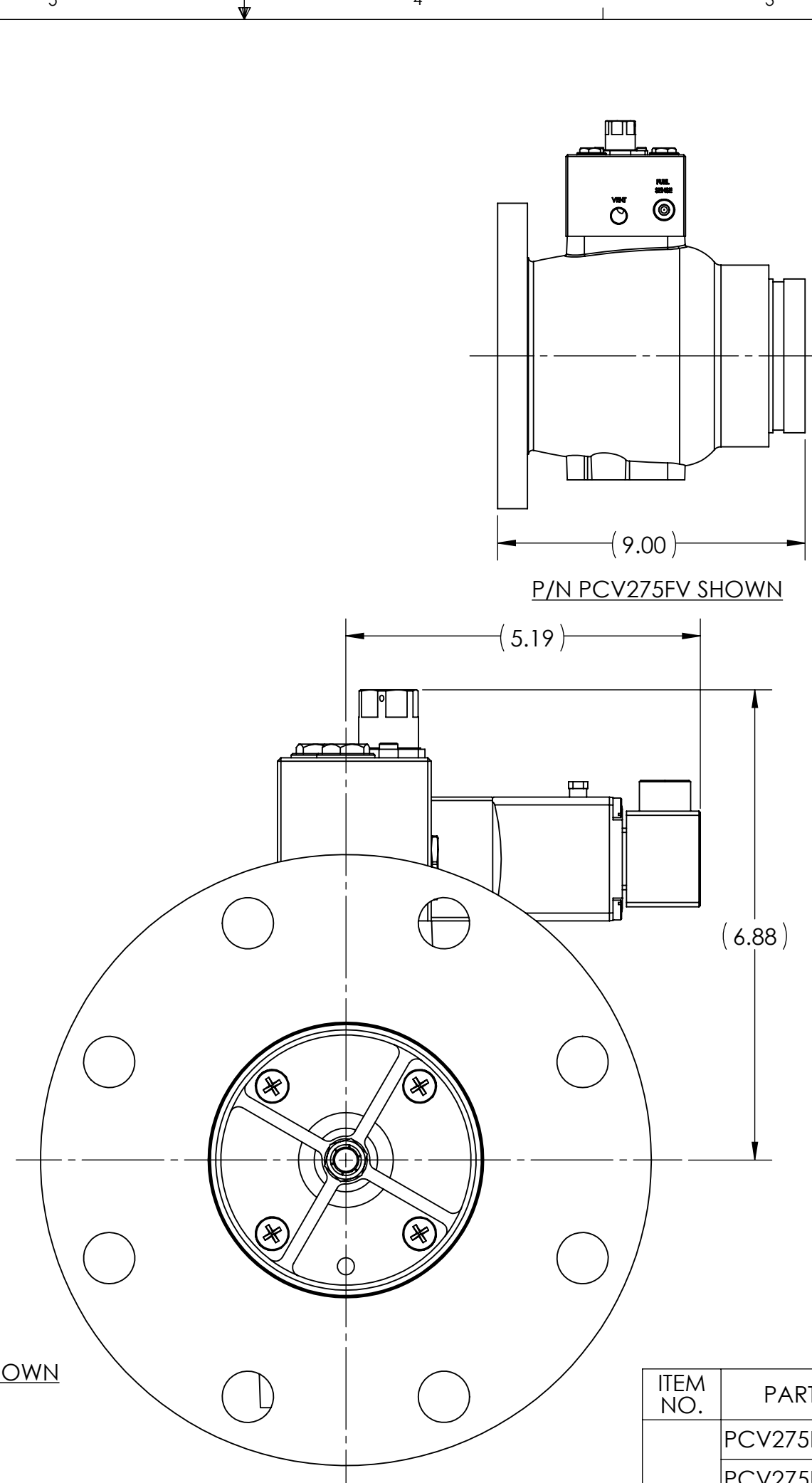
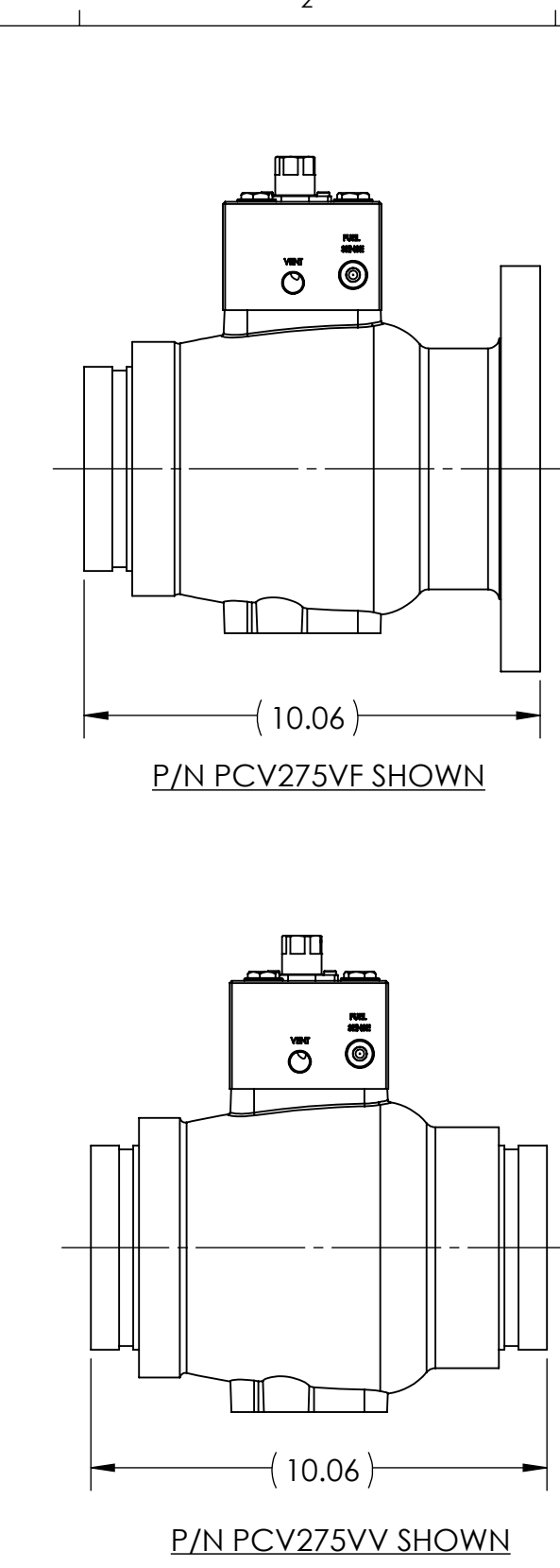


P/N PCV275FF SHOWN



P/N PCV275FV SHOWN



P/N PCV275VF SHOWN

P/N PCV275VV SHOWN

ITEM NO.	PART NUMBER	DESCRIPTION	QTY.					
			1	2	3	4	5	
1	PCV275FF-12VDC	INLINE VALVE	X					
	PCV275FF-24VDC		X					
	PCV275FV-12VDC			X				
	PCV275FV-24VDC				X			
	PCV275VF-12VDC					X		
	PCV275VF-24VDC						X	
	PCV275VV-12VDC							X
	PCV275VV-24VDC							
1	RJA1074FF	VALVE ASSEMBLY	1	1				
	RJA1074FV				1	1		
	RJA1074VF						1	1
	RJA1074VV							1
2	RJA1080-12VDC	MANIFOLD, INLINE VALVE	1	1	1	1		
	RJA1080-24VDC		1	1	1	1		

PROPRIETARY AND CONFIDENTIAL
 THE INFORMATION CONTAINED IN THIS DRAWING IS THE SOLE PROPERTY OF RAYCON INDUSTRIES. ANY REPRODUCTION IN PART OR AS A WHOLE WITHOUT THE WRITTEN PERMISSION OF RAYCON INDUSTRIES IS PROHIBITED.

UNLESS OTHERWISE SPECIFIED:		NAME	DATE	
DIMENSIONS ARE IN INCHES	TOLERANCES:	DRAWN	JW	17/09/17
FRACTIONAL ±	ANGULAR: MACH ±	CHECKED		
TWO PLACE DECIMAL ±	BEND ±	ENG APPR.		
THREE PLACE DECIMAL ±		MFG APPR.		
INTERPRET GEOMETRIC TOLERANCING PER:	MATERIAL	Q.A.		
	FINISH	COMMENTS:		
NEXT ASSY	USED ON			
APPLICATION	DO NOT SCALE DRAWING			

RAYCON INDUSTRIES

TITLE: **INLINE VALVE**
 4 INCH, ELECTRO-HYDRAULIC OPERATED WITHOUT OUTLET PRESSURE RELIEF

SIZE DWG. NO. REV
C PCV275 -

SCALE: 1:4 WEIGHT: SHEET 1 OF 1