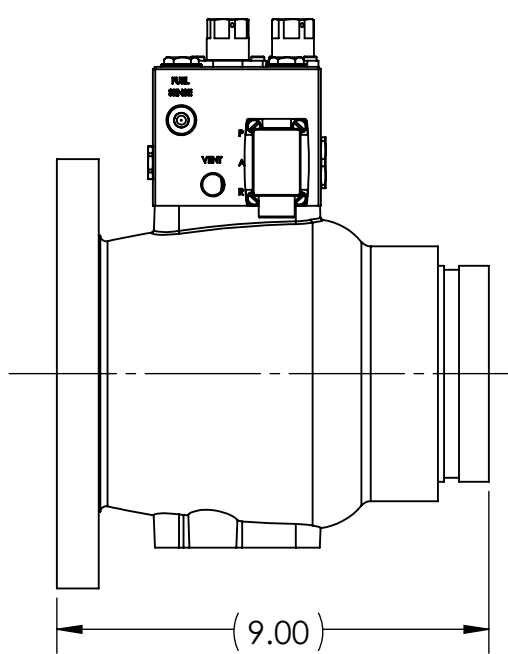
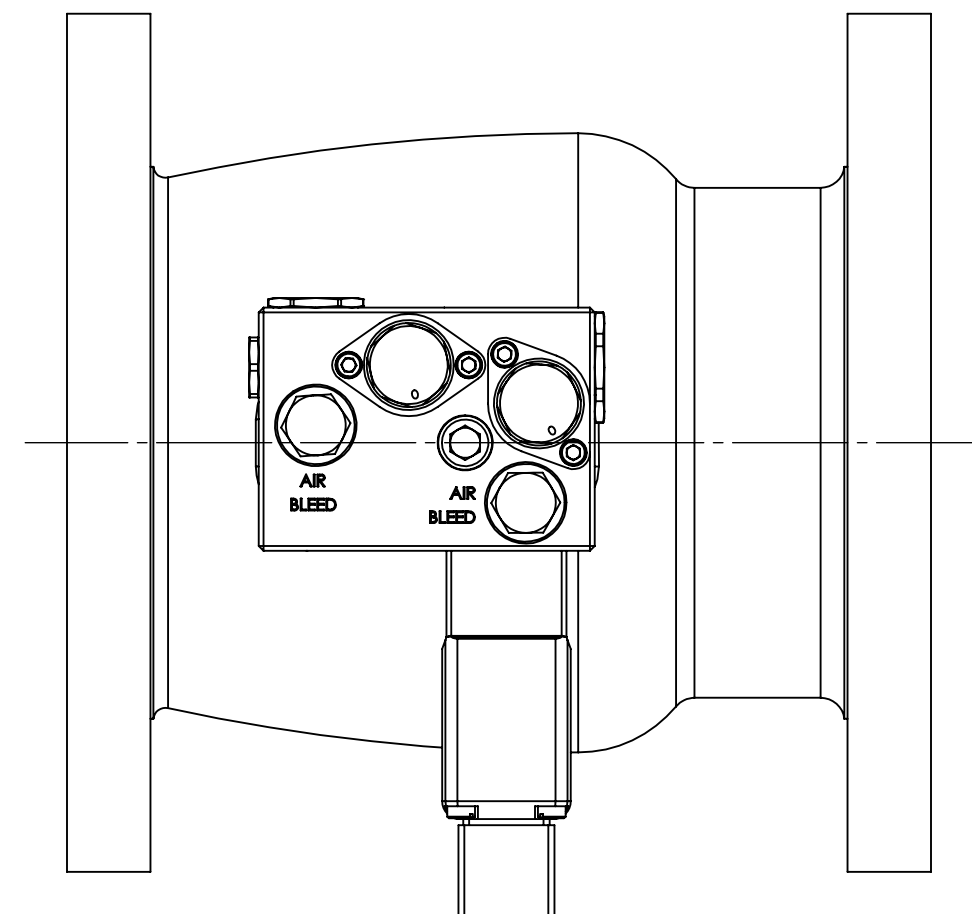
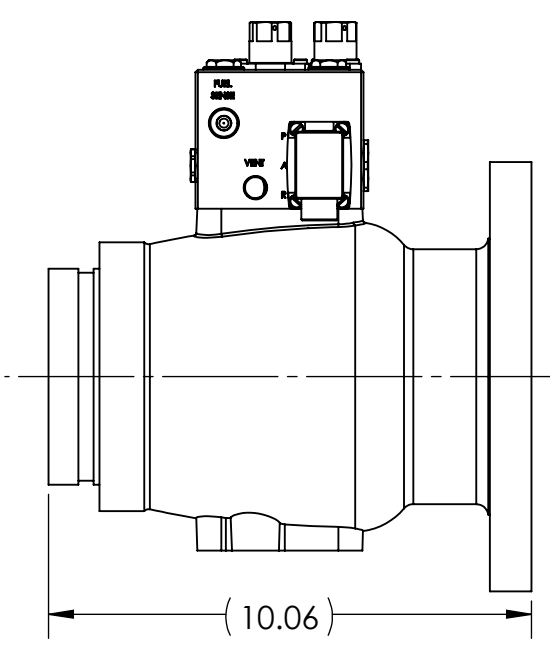


8 7 6 5 4 3 2 1

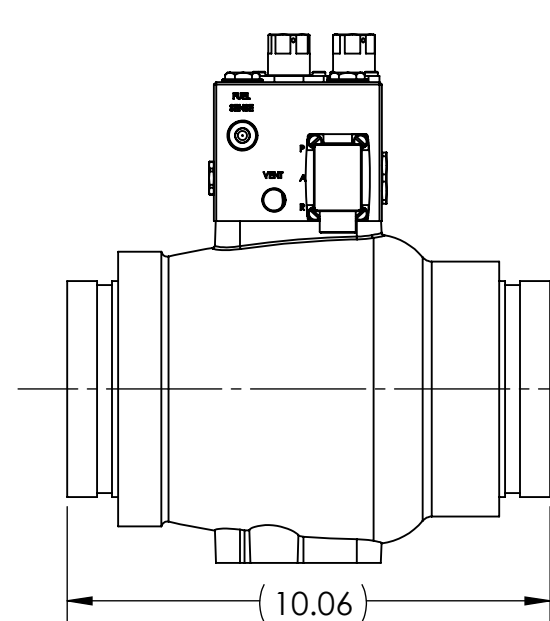
F
E
D
C
B
A



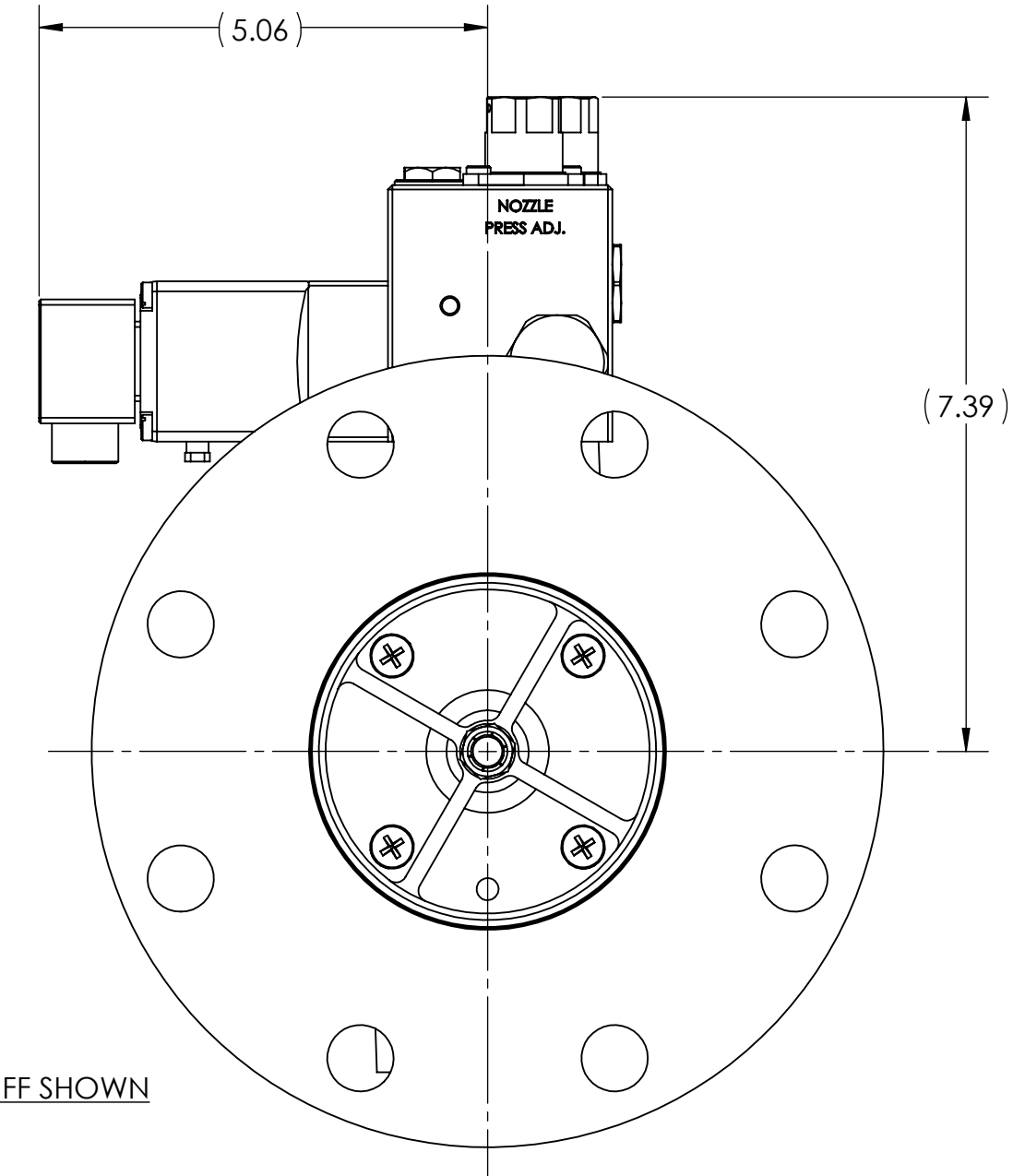
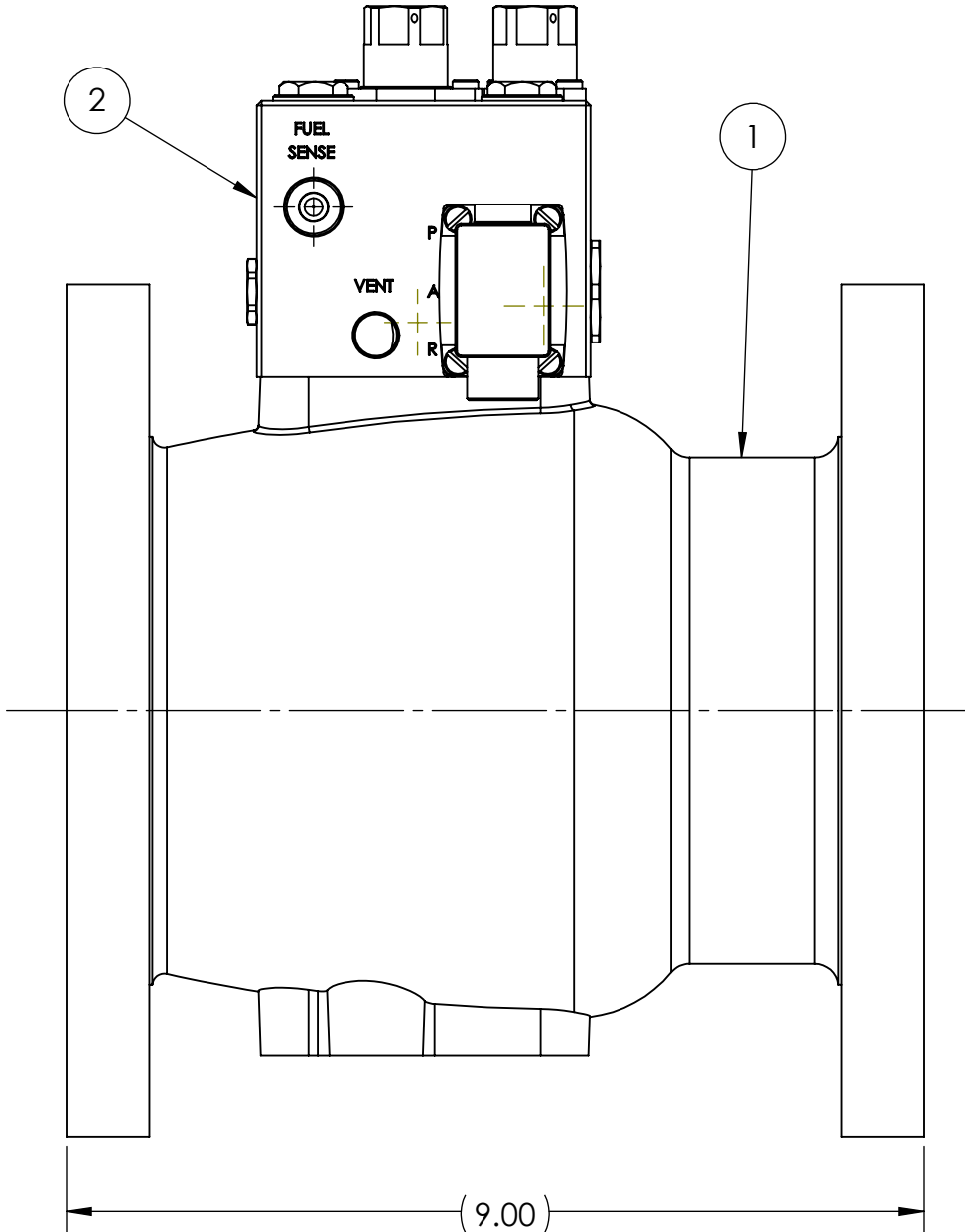
P/N PCV221FV SHOWN



P/N PCV221VF SHOWN



P/N PCV221VV SHOWN



P/N PCV221FF SHOWN

ITEM NO.	PART NUMBER	DESCRIPTION	QTY.						
	PCV221FF-12VDC	BYPASS VALVE	X						
	PCV221FF-24VDC			X					
	PCV221FV-12VDC				X				
	PCV221FV-24VDC					X			
	PCV221VF-12VDC						X		
	PCV221VF-24VDC							X	
	PCV221VV-12VDC								X
	PCV221VV-24VDC								
1	RJA1074FF	VALVE ASSEMBLY	1	1					
	RJA1074FV				1	1			
	RJA1074VF						1	1	
	RJA1074VV							1	1
2	RJA1082-12VDC	MANIFOLD ASSEMBLY	1	1	1	1			
	RJA1082-24VDC			1	1	1	1		

PROPRIETARY AND CONFIDENTIAL
THE INFORMATION CONTAINED IN THIS DRAWING IS THE SOLE PROPERTY OF RAYCON INDUSTRIES. ANY REPRODUCTION IN PART OR AS A WHOLE WITHOUT THE WRITTEN PERMISSION OF RAYCON INDUSTRIES IS PROHIBITED.

UNLESS OTHERWISE SPECIFIED:		NAME	DATE
DIMENSIONS ARE IN INCHES		JW	15/08/22
TOLERANCES:		CHECKED	
FRACTIONAL: ±		ENG APPR.	
ANGULAR: MACH ±	BEND ±	MFG APPR.	
TWO PLACE DECIMAL ±		Q.A.	
THREE PLACE DECIMAL ±		COMMENTS:	
INTERPRET GEOMETRIC TOLERANCING PER:			
MATERIAL			
FINISH			
NEXT ASSY	USED ON		
APPLICATION	DO NOT SCALE DRAWING		

RAYCON INDUSTRIES

TITLE:
BYPASS VALVE
4 INCH, ELECTRO-HYDRAULIC OPERATED WITH PUMP PRESSURE CONTROL

SIZE DWG. NO. REV
C PCV221 -

SCALE: 1:4 WEIGHT: SHEET 1 OF 1