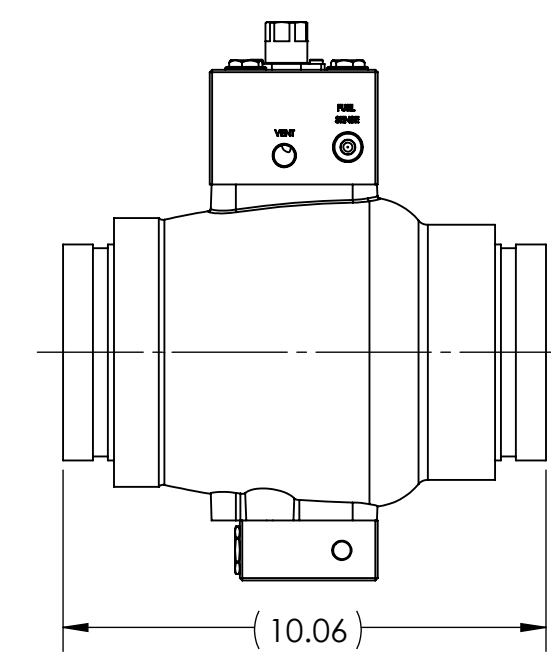
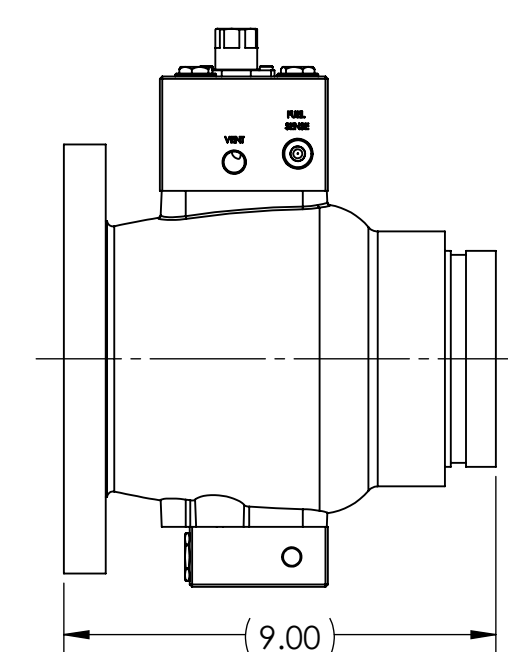


(9.00)

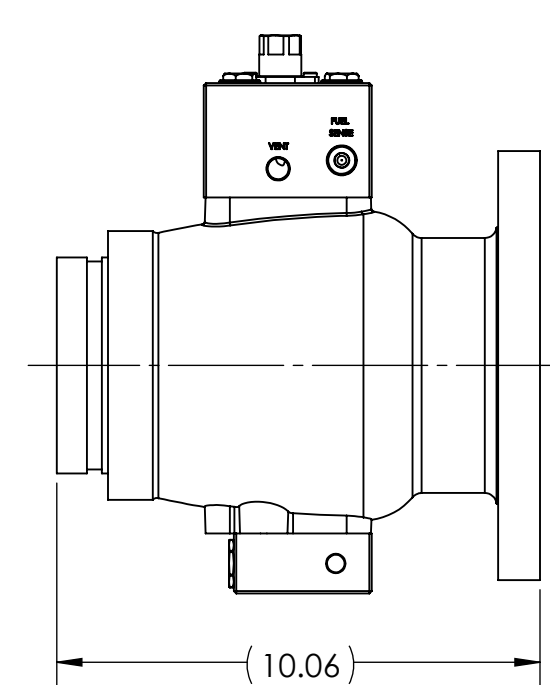
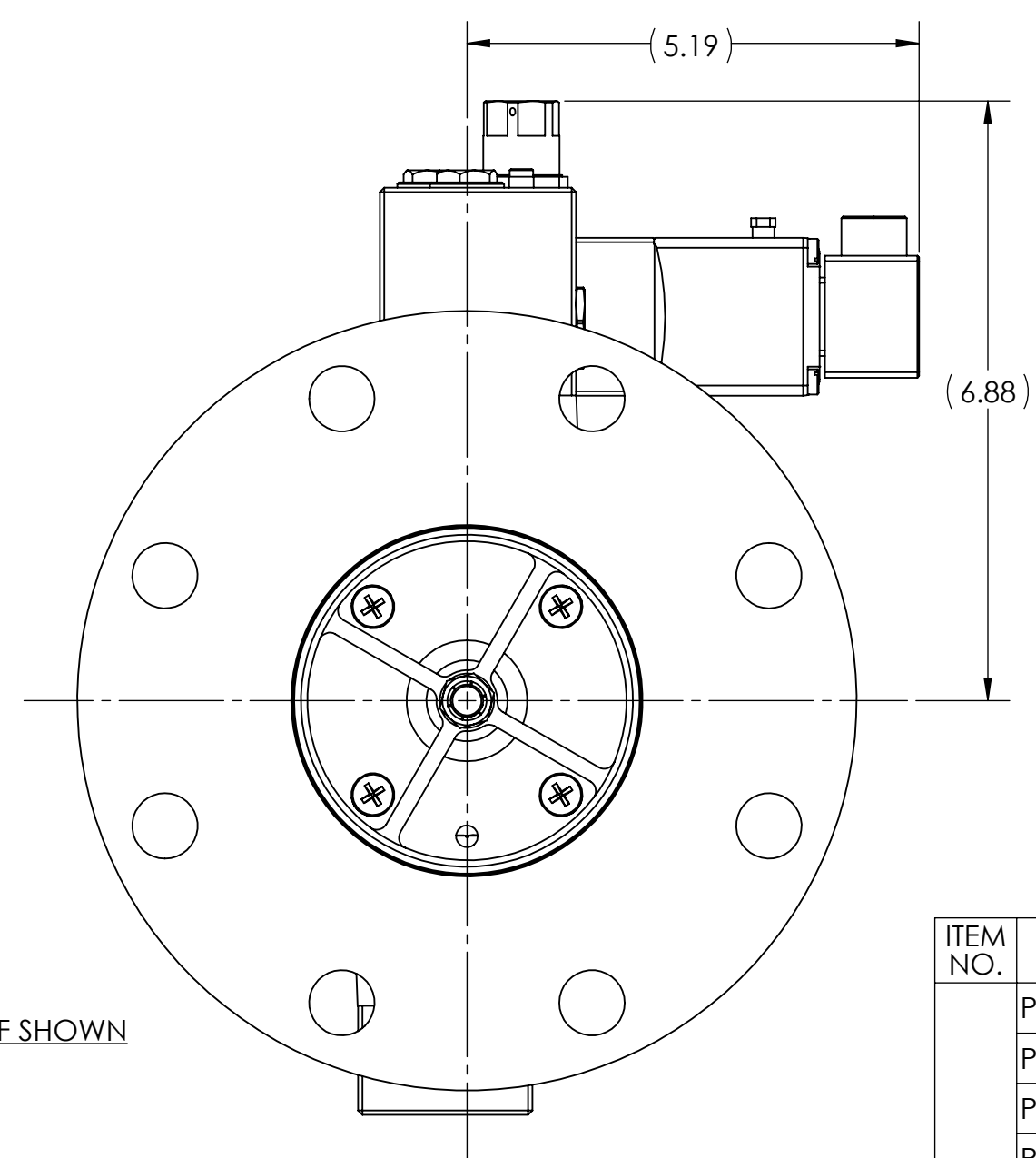
P/N PCV219FF SHOWN



P/N PCV219VV SHOWN



P/N PCV219FV SHOWN



P/N PCV219VF SHOWN

ITEM NO.	PART NUMBER	DESCRIPTION	QTY.										
			1	2	3	4	5	6	7	8			
1	PCV219FF-12VDC	INLINE VALVE	X										
	PCV219FF-24VDC			X									
	PCV219FV-12VDC				X								
	PCV219FV-24VDC					X							
	PCV219VF-12VDC						X						
	PCV219VF-24VDC							X					
	PCV219VV-12VDC									X			
	PCV219VV-24VDC										X		
2	RJA1069FF	VALVE ASSEMBLY	1	1									
	RJA1069FV				1	1							
	RJA1069VF						1	1					
	RJA1069VV								1	1			
3	RJA1080-12VDC	MANIFOLD, INLINE VALVE	1	1	1	1							
	RJA1080-24VDC			1	1	1	1						
3	RJA1071	RELIEF VALVE	1	1	1	1	1	1	1	1	1	1	

PROPRIETARY AND CONFIDENTIAL
 THE INFORMATION CONTAINED IN THIS DRAWING IS THE SOLE PROPERTY OF RAYCON INDUSTRIES. ANY REPRODUCTION IN PART OR AS A WHOLE WITHOUT THE WRITTEN PERMISSION OF RAYCON INDUSTRIES IS PROHIBITED.

UNLESS OTHERWISE SPECIFIED: DIMENSIONS ARE IN INCHES TOLERANCES: FRACTIONAL ± ANGULAR: MACH ± BEND ± TWO PLACE DECIMAL ± THREE PLACE DECIMAL ±	DRAWN JW 15/08/22	NAME DATE
INTERPRET GEOMETRIC TOLERANCING PER: MATERIAL	CHECKED	
FINISH	ENG APPR.	
APPLICATION	MFG APPR.	
DO NOT SCALE DRAWING	Q.A.	
	COMMENTS:	

RAYCON INDUSTRIES

TITLE:
INLINE VALVE
 4 INCH, ELECTRO-HYDRAULIC OPERATED WITH OUTLET PRESSURE RELIEF

SIZE DWG. NO. REV
C PCV219 -

SCALE: 1:4 WEIGHT: SHEET 1 OF 1