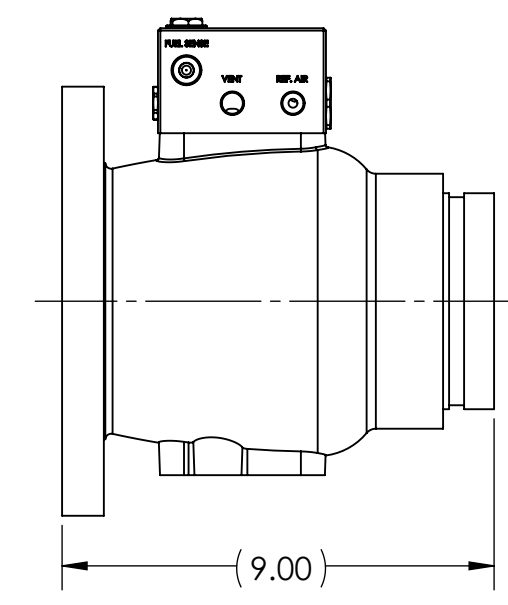
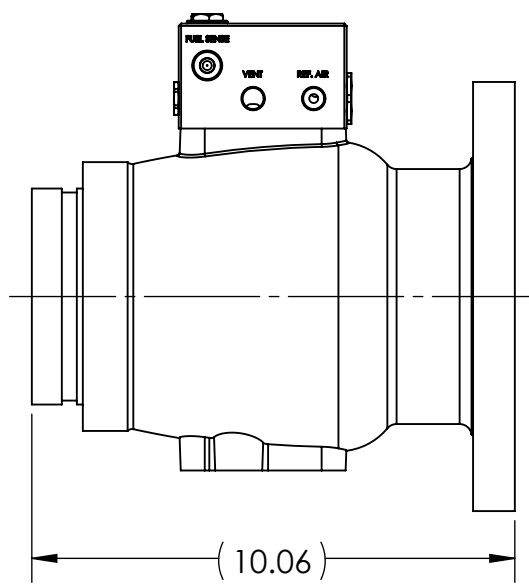


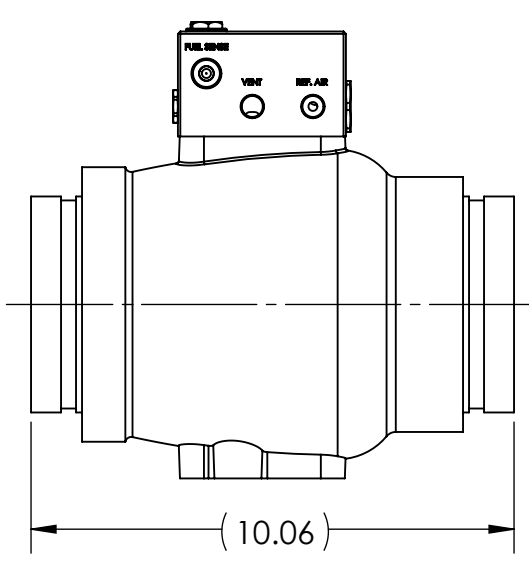
P/N PCV218FF SHOWN



P/N PCV218FV SHOWN



P/N PCV218VF SHOWN



P/N PCV218VV SHOWN

ITEM NO.	PART NUMBER	DESCRIPTION	QTY.			
	PCV218FF	BYPASS VALVE	X			
	PCV218FV			X		
	PCV218VF				X	
	PCV218VV					X
1	RJA1075FF	VALVE ASSEMBLY	1			
	RJA1075FV			1		
	RJA1075VF				1	
	RJA1075VV					1
2	RJA1072	MANIFOLD, BYPASS VALVE	1	1	1	1

**PROPRIETARY AND CONFIDENTIAL**  
 THE INFORMATION CONTAINED IN THIS DRAWING IS THE SOLE PROPERTY OF RAYCON INDUSTRIES. ANY REPRODUCTION IN PART OR AS A WHOLE WITHOUT THE WRITTEN PERMISSION OF RAYCON INDUSTRIES IS PROHIBITED.

UNLESS OTHERWISE SPECIFIED:		NAME	DATE
DIMENSIONS ARE IN INCHES		DRAWN	JW 15/05/20
TOLERANCES:		CHECKED	
FRACTIONAL: ±		ENG APPR.	
ANGULAR: MACH ±		MFG APPR.	
BEND ±		Q.A.	
TWO PLACE DECIMAL ±		COMMENTS:	
THREE PLACE DECIMAL ±			
MATERIAL			
FINISH			
NEXT ASSY	USED ON		
APPLICATION	DO NOT SCALE DRAWING		

**RAYCON INDUSTRIES**

TITLE:  
**BYPASS VALVE**  
 4 INCH, PNEUMATIC OPERATED  
 WITHOUT PUMP PRESSURE CONTROL

SIZE	DWG. NO.	REV
<b>C</b>	<b>PCV218</b>	-

SCALE: 1:4 WEIGHT: SHEET 1 OF 1