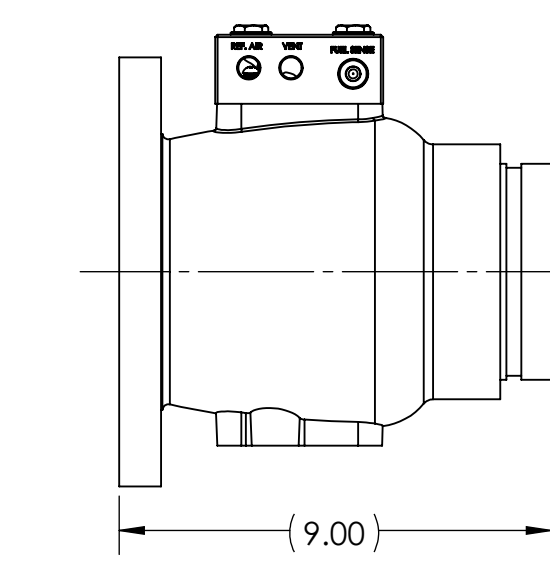
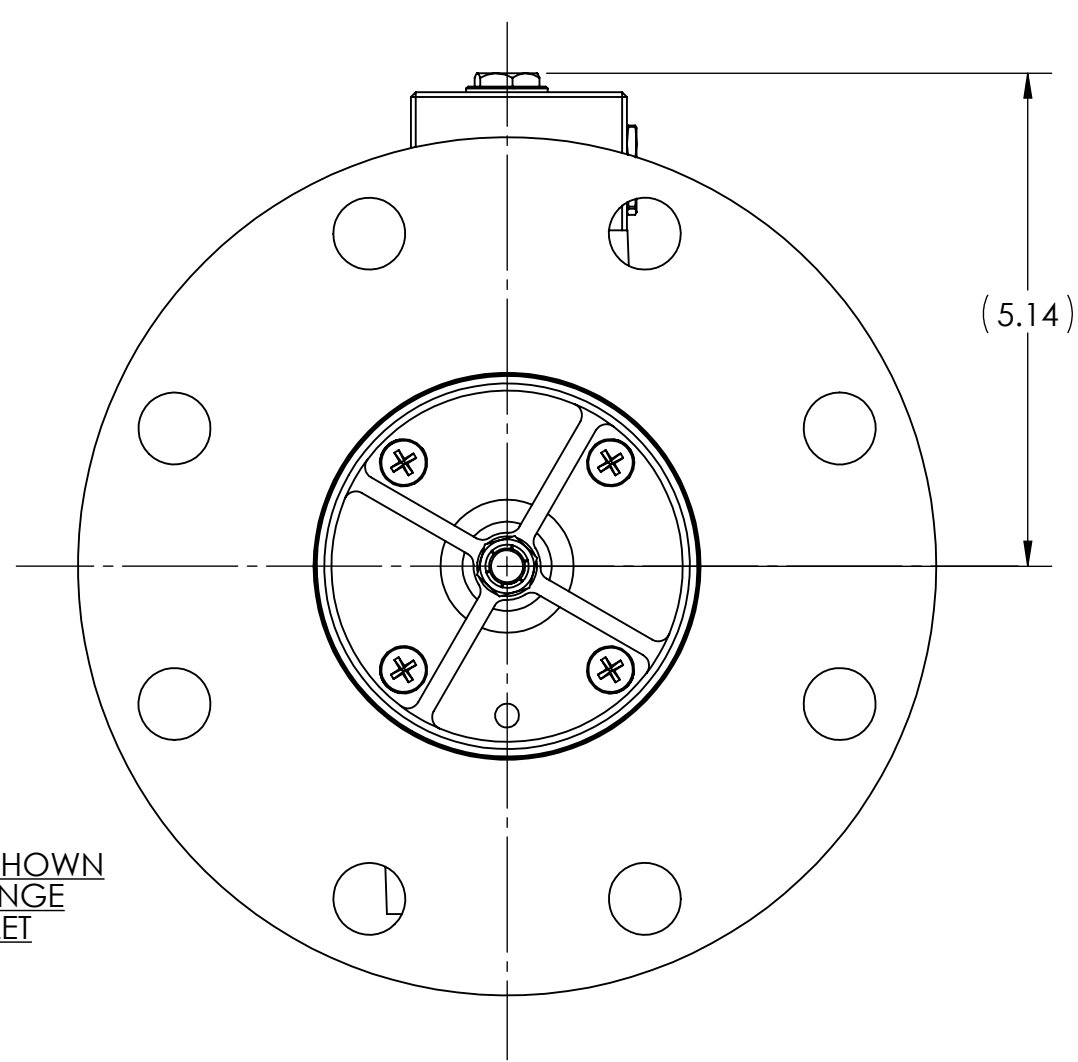
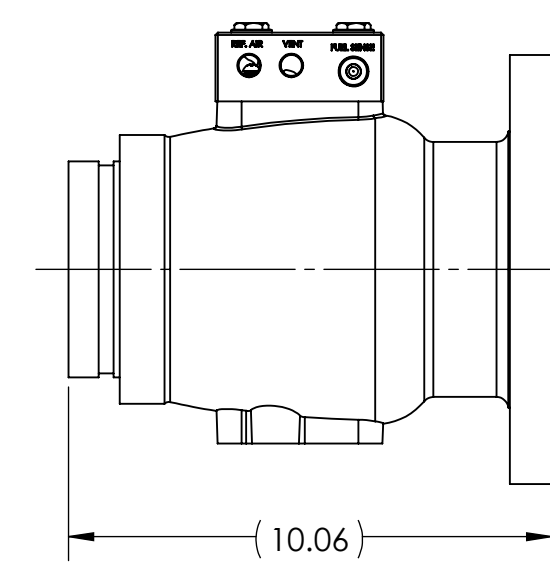


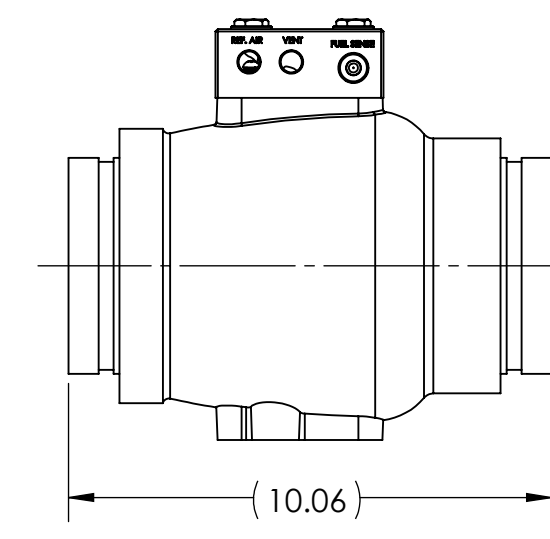
P/N PCV217FF SHOWN
150 LB ANSI FLANGE
INLET AND OUTLET



P/N PCV217FV SHOWN
150 LB ANSI FLANGE INLET
VICTAULIC OUTLET



P/N PCV217VF SHOWN
VICTAULIC INLET
150 LB ANSI FLANGE OUTLET



P/N PCV217VV SHOWN
VICTAULIC INLET AND OUTLET

ITEM NO.	PART NUMBER	DESCRIPTION	QTY.			
	PCV217FF	INLINE VALVE	X			
	PCV217FV			X		
	PCV217VF				X	
	PCV217VV					X
1	RJA1074FF	VALVE ASSEMBLY	1			
	RJA1074FV			1		
	RJA1074VF				1	
	RJA1112VV					1
2	RJA1070	MANIFOLD, INLINE VALVE	1	1	1	1

PROPRIETARY AND CONFIDENTIAL
THE INFORMATION CONTAINED IN THIS DRAWING IS THE SOLE PROPERTY OF RAYCON INDUSTRIES. ANY REPRODUCTION IN PART OR AS A WHOLE WITHOUT THE WRITTEN PERMISSION OF RAYCON INDUSTRIES IS PROHIBITED.

UNLESS OTHERWISE SPECIFIED:		NAME	DATE
DIMENSIONS ARE IN INCHES		DRAWN	JW 15/05/20
TOLERANCES:		CHECKED	
FRACTIONAL ±		ENG APPR.	
ANGULAR: MACH ± BEND ±		MFG APPR.	
TWO PLACE DECIMAL ±		Q.A.	
THREE PLACE DECIMAL ±		COMMENTS:	
NEXT ASSY	USED ON	FINISH	
APPLICATION		DO NOT SCALE DRAWING	

RAYCON INDUSTRIES

TITLE:
INLINE VALVE
4 INCH, PNEUMATIC OPERATED
WITHOUT OUTLET PRESSURE RELIEF

SIZE DWG. NO. REV
C PCV217 -

SCALE: 1:4 WEIGHT: SHEET 1 OF 1