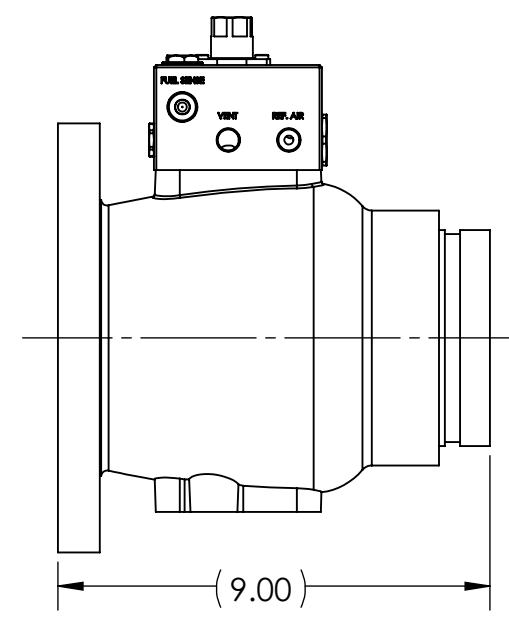
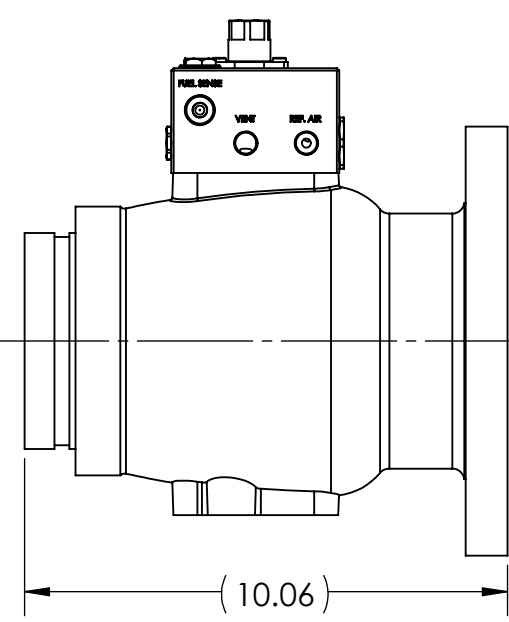


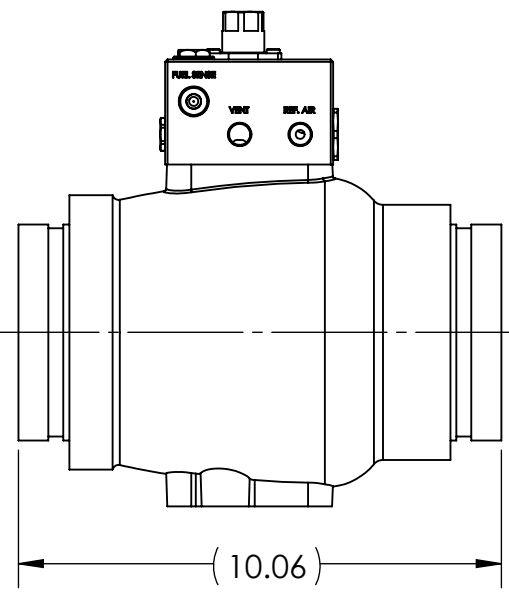
P/N PCV214FF SHOWN
150 LB ANSI FLANGE
INLET AND OUTLET



P/N PCV214FV SHOWN
150 LB ANSI FLANGE INLET
VICTAULIC OUTLET



P/N PCV214VF SHOWN
VICTAULIC INLET
150 LB ANSI FLANGE OULET



P/N PCV214VV SHOWN
VICTAULIC INLET AND
OUTLET

ITEM NO.	PART NUMBER	DESCRIPTION	QTY.			
	PCV214FF	BYPASS VALVE	X			
	PCV214FV			X		
	PCV214VF				X	
	PCV214VV					X
1	RJA1075FF	VALVE ASSEMBLY	1			
	RJA1075FV			1		
	RJA1075VF				1	
	RJA1075VV					1
2	RJA1073	MANIFOLD, BYPASS VALVE	1	1	1	1

PROPRIETARY AND CONFIDENTIAL
THE INFORMATION CONTAINED IN THIS DRAWING IS THE SOLE PROPERTY OF RAYCON INDUSTRIES. ANY REPRODUCTION IN PART OR AS A WHOLE WITHOUT THE WRITTEN PERMISSION OF RAYCON INDUSTRIES IS PROHIBITED.

UNLESS OTHERWISE SPECIFIED: DIMENSIONS ARE IN INCHES TOLERANCES: FRACTIONAL ± ANGULAR: MACH ± BEND ± TWO PLACE DECIMAL ± THREE PLACE DECIMAL ±	DRAWN JW 15/05/20	NAME DATE
INTERPRET GEOMETRIC TOLERANCING PER: MATERIAL	CHECKED	ENG APPR.
FINISH	MFG APPR.	Q.A.
APPLICATION	DO NOT SCALE DRAWING	COMMENTS:

RAYCON INDUSTRIES

TITLE:
BYPASS VALVE
4 INCH, PNEUMATIC OPERATED
WITH PUMP PRESSURE CONTROL

SIZE DWG. NO. REV
C **PCV214** -

SCALE: 1:4 WEIGHT: SHEET 1 OF 1