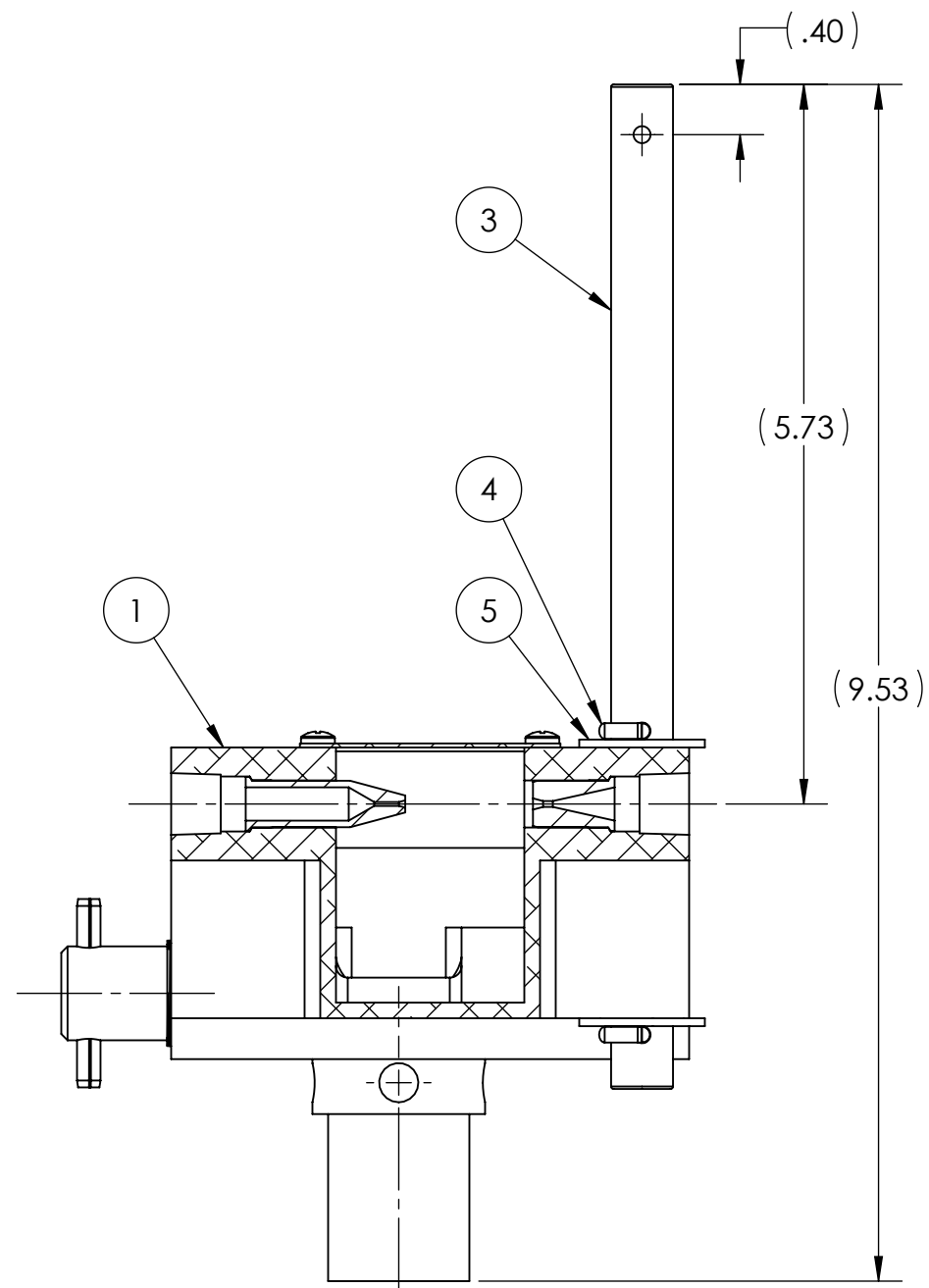
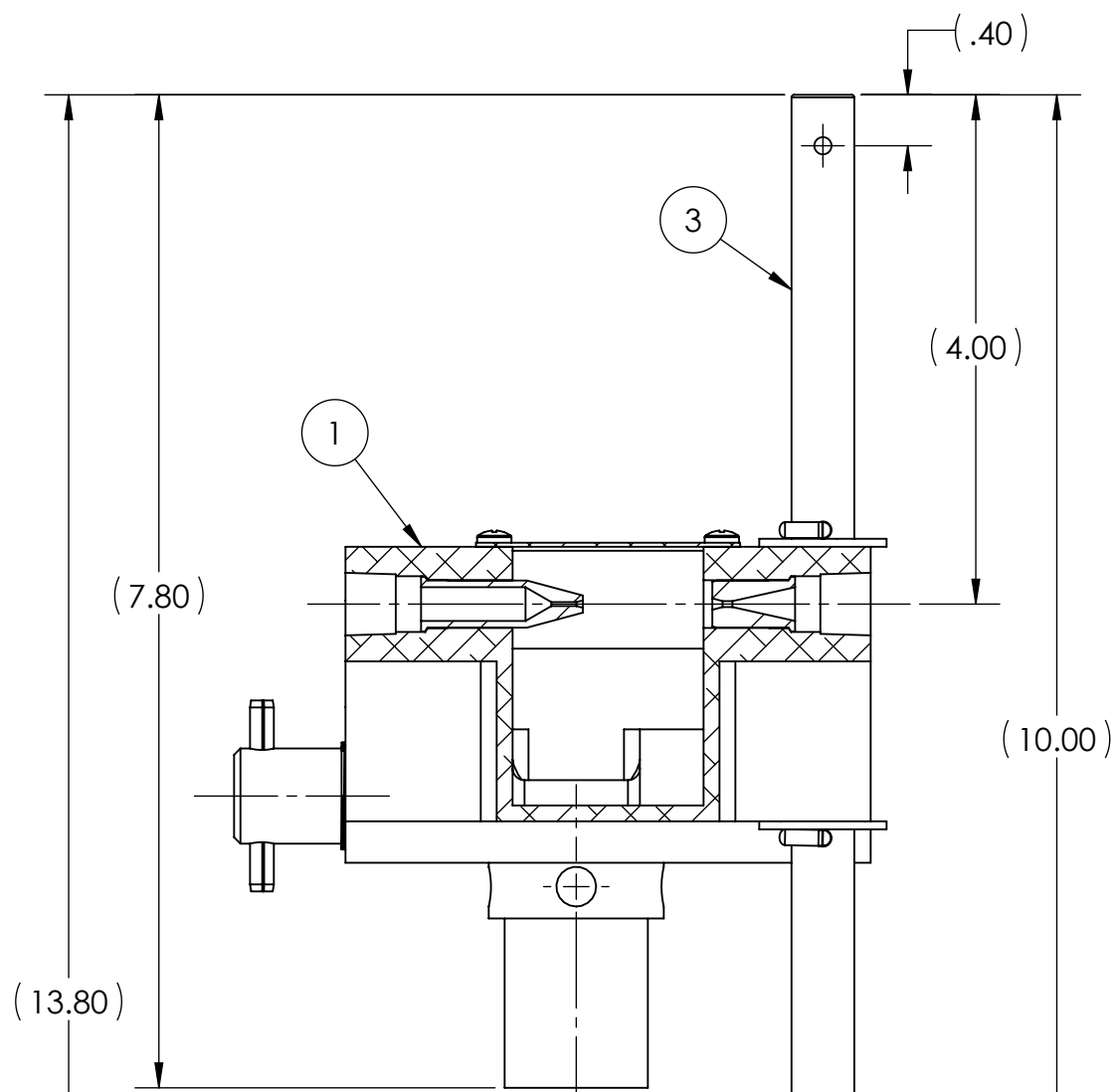


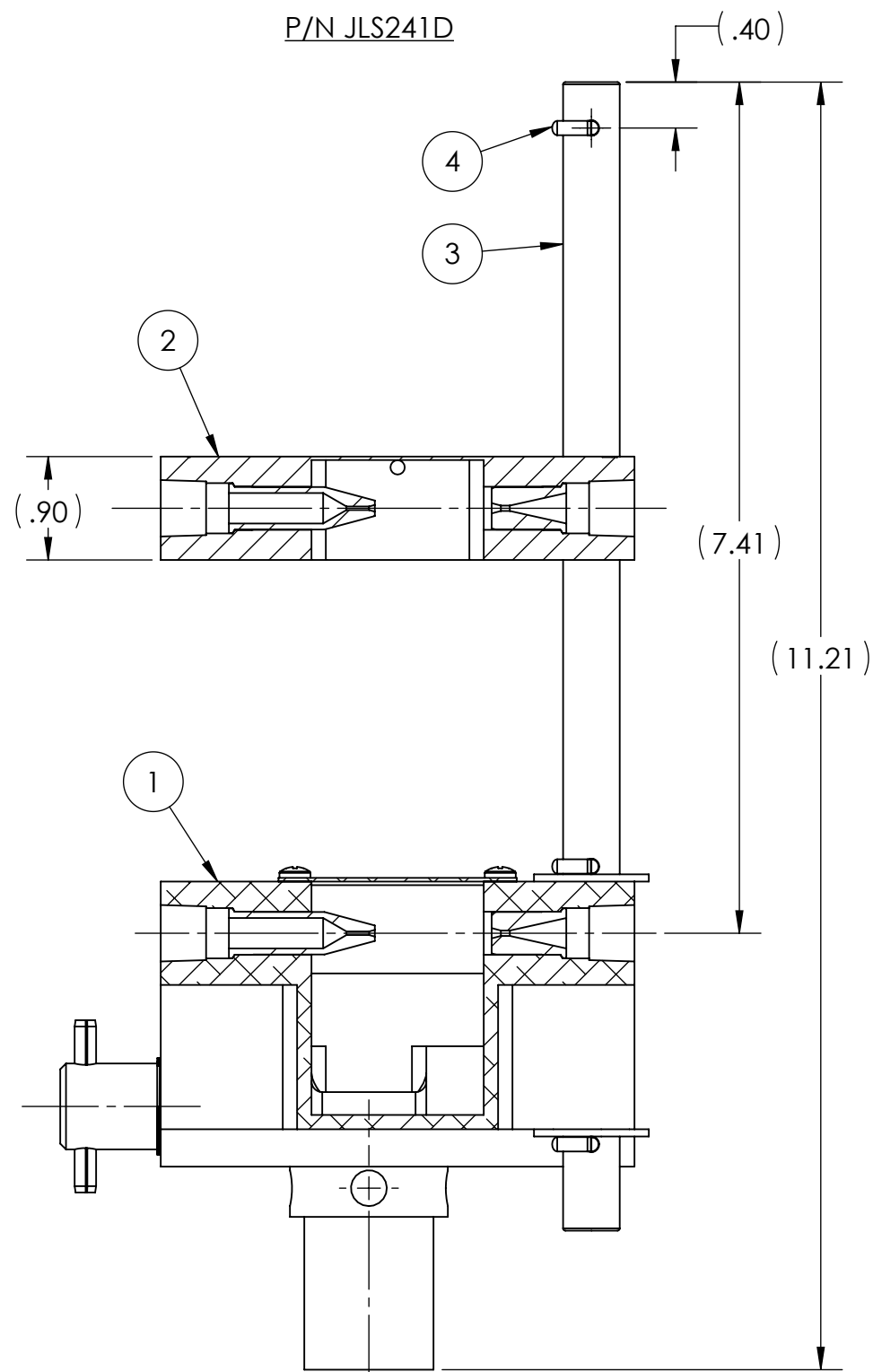
P/N JLS241



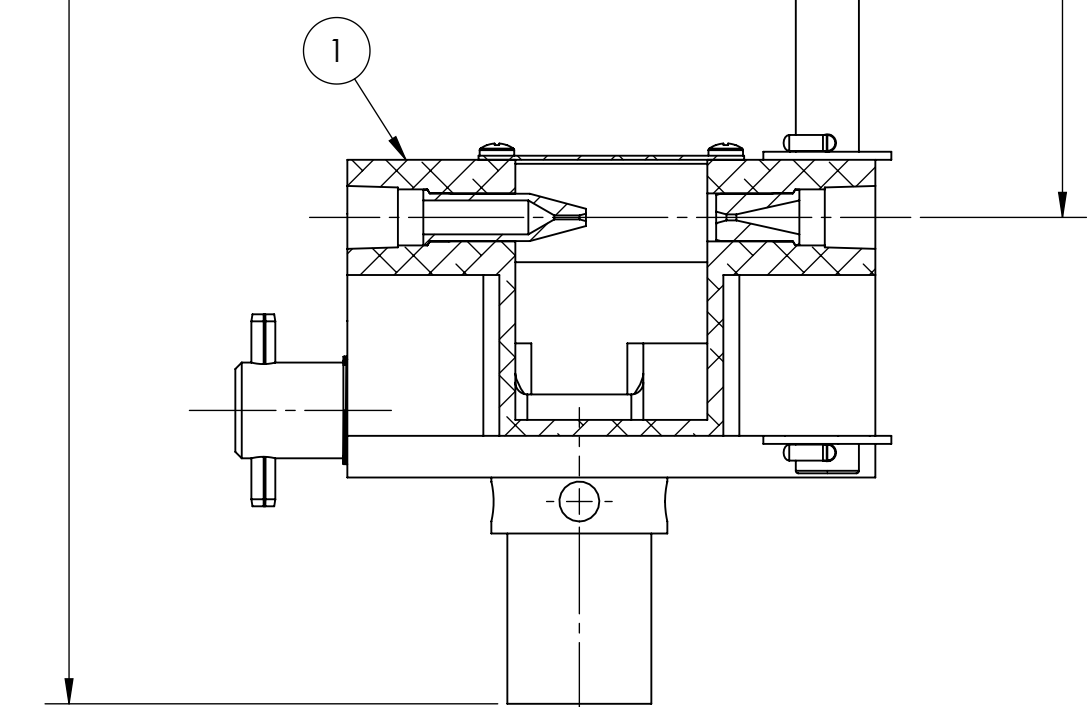
P/N JLS241D



P/N JLS241E



P/N JLS241F



P/N JLS241F

5	92217A540	FLAT WASHER	3A054	2	4	2
4	98401A474	COTTOR PIN	3A054	2	4	3
	RJ1492					1
3	RJ1493	ADJUSTMENT ROD, 1/2-13UNC-2B THD.			1	
	RJ1494			1		
2	RJA1120	SHORT BODY JET LEVEL SENSOR				1
1	RJA1117	JET LEVE SENSOR		1	1	2
	JLS241F	STD AND SHORT BODY SENSOR				X
	JLS241E	DUEL JET LEVEL SENSORS WITH ADJUSTMENT ROD				X
	JLS241D	JET LEVEL SENSOR WITH ADJUSTMENT ROD			X	
	JLS241	JET LEVEL SENSOR		X		
ITEM NO.	PART NO.	DESCRIPTIONS	VENDOR CAGE CODE	QTY		

**PROPRIETARY AND CONFIDENTIAL**  
 THE INFORMATION CONTAINED IN THIS DRAWING IS THE SOLE PROPERTY OF RAYCON INDUSTRIES. ANY REPRODUCTION IN PART OR AS A WHOLE WITHOUT THE WRITTEN PERMISSION OF RAYCON INDUSTRIES IS PROHIBITED.

UNLESS OTHERWISE SPECIFIED:		NAME	DATE	<b>RAYCON INDUSTRIES</b>	
DIMENSIONS ARE IN INCHES		DRAWN	JW	16/02/15	TITLE: <b>JET LEVEL SENSOR</b>
TOLERANCES:		CHECKED			
FRACTIONAL ±		ENG APPR.			
ANGULAR: MACH ±.5° BEND ±		MFG APPR.			
TWO PLACE DECIMAL ±.010		Q.A.			SIZE DWG. NO. REV <b>C JLS241 -</b>
THREE PLACE DECIMAL ±.005		COMMENTS:			
INTERPRET GEOMETRIC TOLERANCING PER:		FINISH		SCALE: 1:4	WEIGHT:
MATERIAL		DO NOT SCALE DRAWING		SHEET 1 OF 1	
APPLICATION					