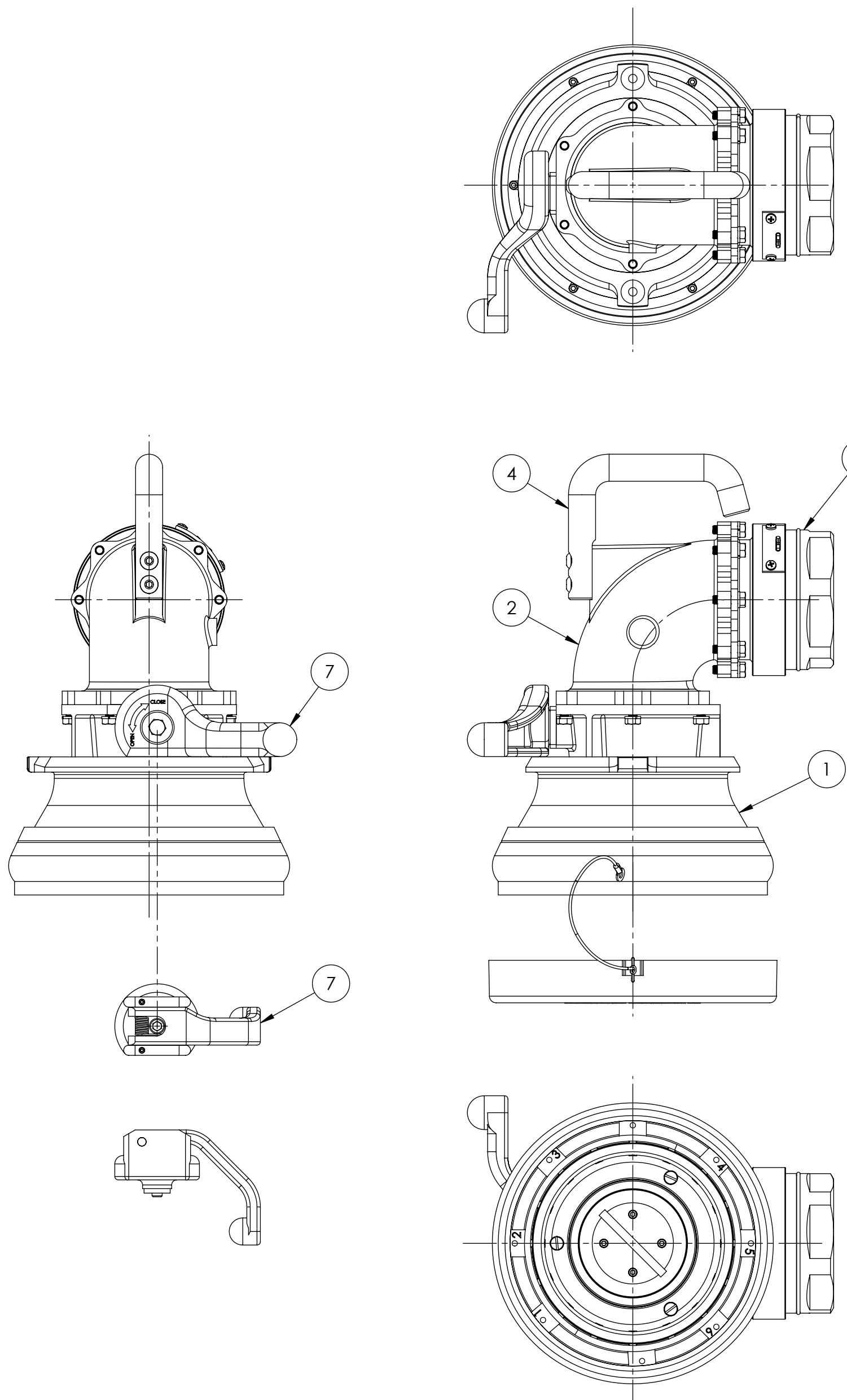


8 7 6 5 4 3 2 1

F
E
D
C
B
A

F
E
D
C
B
A



OPTION	ITEM NO.	PART NUMBER	DESCRIPTION	QTY.
STD W/O Z	1	RJA1066	COUPLER ASSEMBLY	1
Z		RJA1229	COUPLER ASSY, 2ND EDITION	
STD	2	RJA1236	ELBOW ASSEMBLY	1
H4	3	RJA1224	FEMALE Q.D. WITH 4 INCH BSPP	1
H3		RJA1223	FEMALE Q.D. WITH 3 INCH BSPP	
H2		RJA1067	FEMALE Q.D. WITH 4 INCH NPT	
H1		RJA1222	FEMALE Q.D. WITH 3 INCH NPT	
E	4	RJA1155	LONGITUDINAL HANDLE ASSEMBLY	1
G	5	RJA1220	CARRIAGE	1
T	6	RJA1176	TALL HANDLE, SEMI-RIGID	1
STD	7	RJA1234	HANDLE ASSEMBLY	1
K		RJA1235	FOLDABLE HANDLE ASSEMBLY	
L		RJA1254	FOLDABLE HANDLE ASSY, EXTENDED LENGTH	

PROPRIETARY AND CONFIDENTIAL
 THE INFORMATION CONTAINED IN THIS DRAWING IS THE SOLE PROPERTY OF RAYCON INDUSTRIES, ANY REPRODUCTION IN PART OR AS A WHOLE WITHOUT THE WRITTEN PERMISSION OF RAYCON INDUSTRIES IS PROHIBITED.

UNLESS OTHERWISE SPECIFIED:		NAME	DATE	RAYCON INDUSTRIES	
DIMENSIONS ARE IN INCHES		DRAWN	JW		19/07/08
TOLERANCES:		CHECKED			TITLE:
FRACTIONAL: ±		ENG APPR.			HYDRANT COUPLER
ANGULAR: MACH ±		MFG APPR.		Q.A.	
BEND ±		COMMENTS:		SIZE DWG. NO. REV	
TWO PLACE DECIMAL ±				C HYC344	
THREE PLACE DECIMAL ±				SCALE: 1:4 WEIGHT: SHEET 1 OF 1	
INTERPRET GEOMETRIC TOLERANCING PER:	MATERIAL				
FINISH					
NEXT ASSY	USED ON				
APPLICATION	DO NOT SCALE DRAWING				

8 7 6 5 4 3 2 1