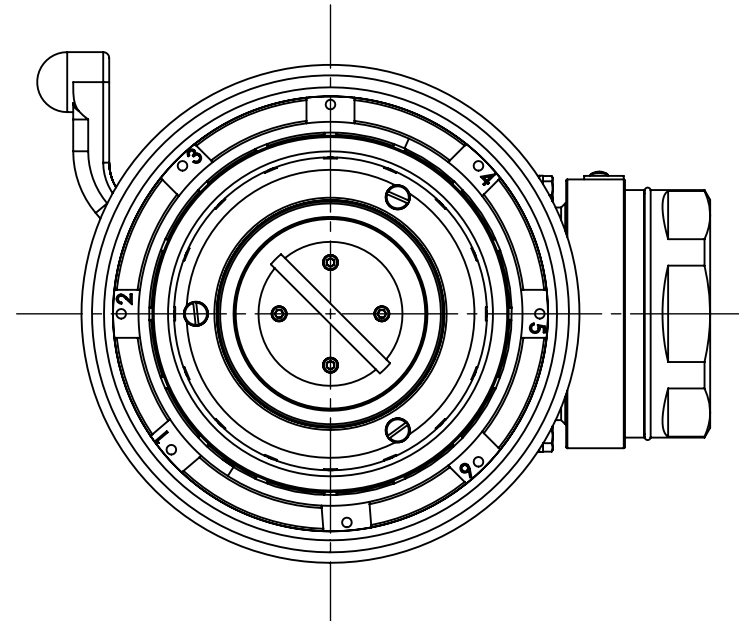
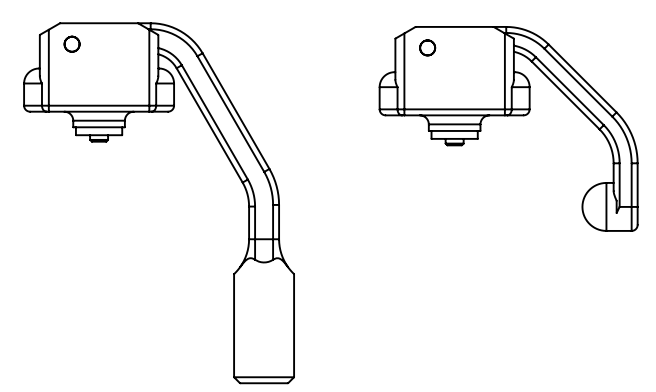
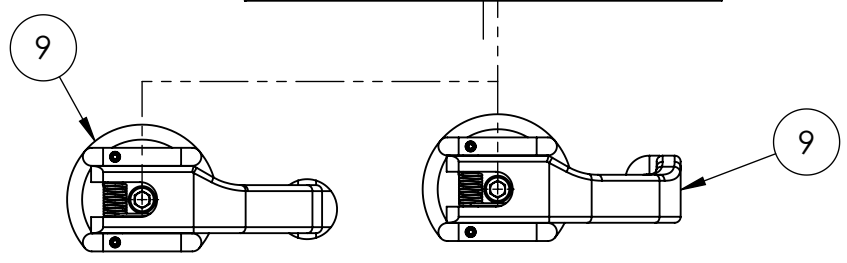
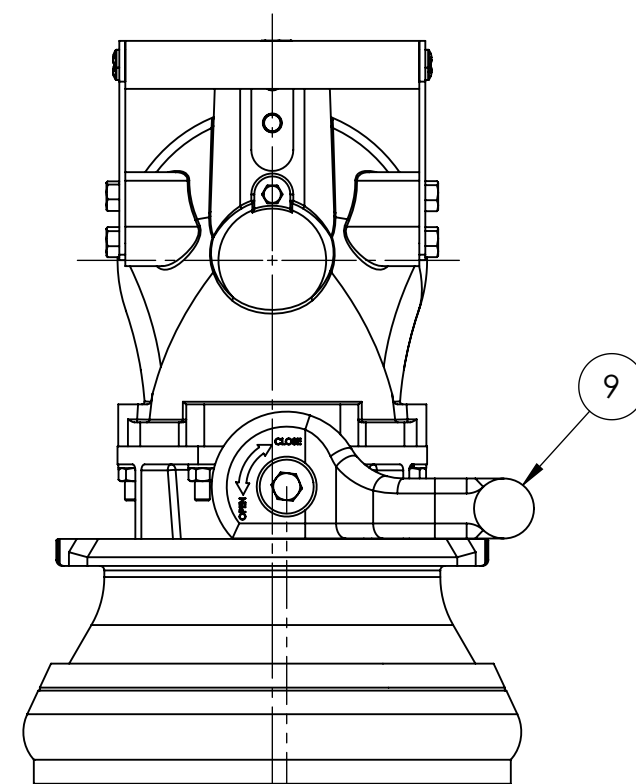
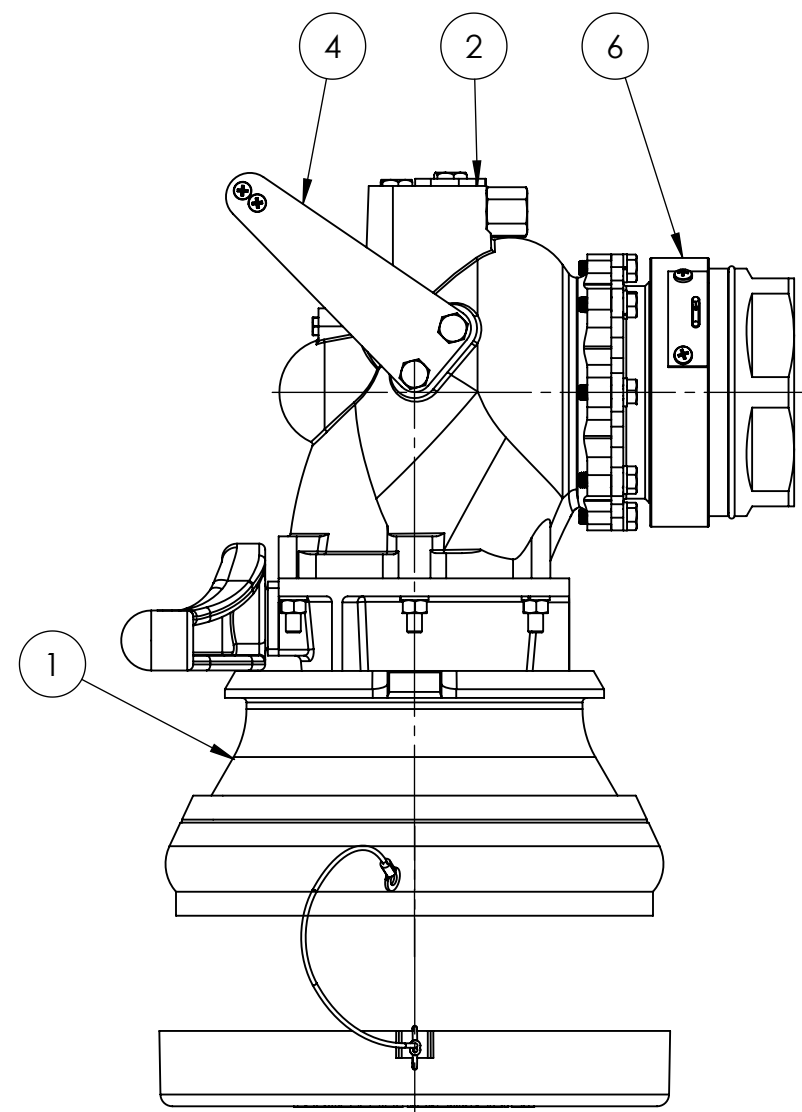
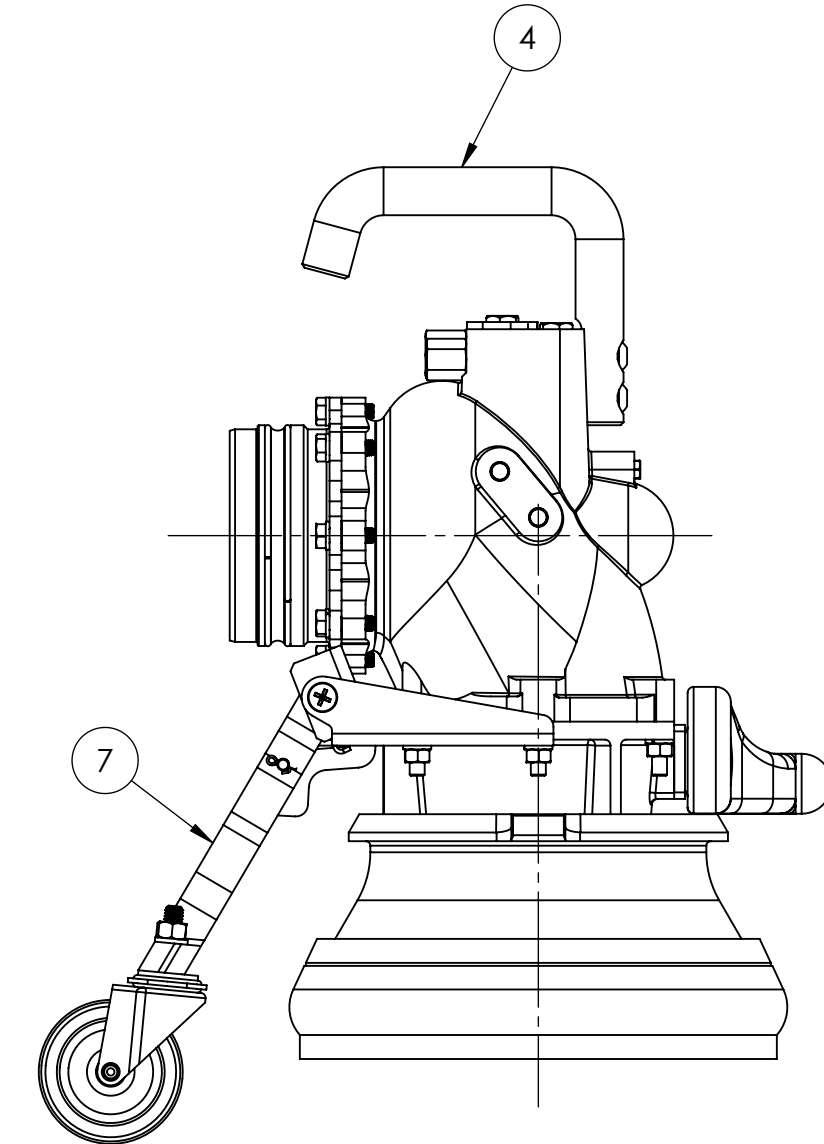
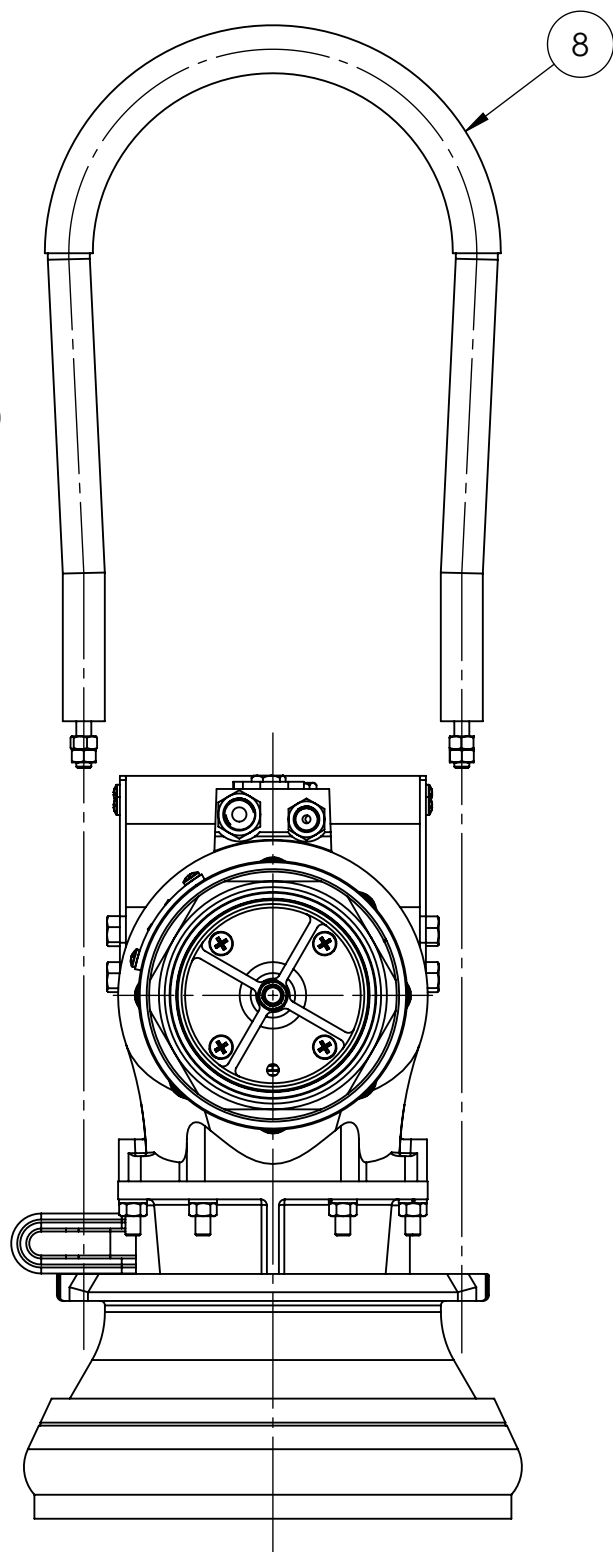
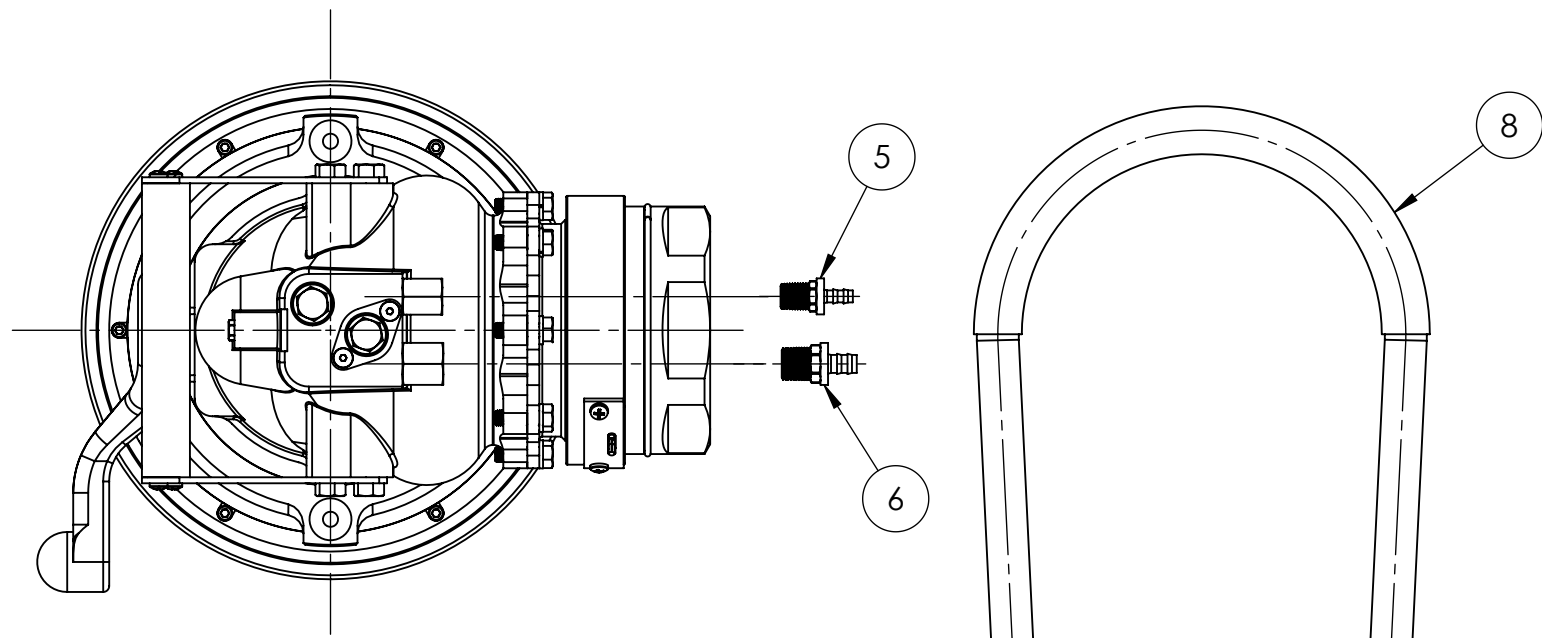


8 7 6 5 4 3 2 1

F E D C B A



OPTION	ITEM NO.	PART NUMBER	DESCRIPTION	VENDOR CAGE CODE	QTY.
STD W/O Z	1	RJA1066	COUPLER ASSEMBLY		1
Z		RJA1229	COUPLER ASSY, 2ND EDITION		
STD	2	RJA1236	ELBOW ASSEMBLY		1
H4	3	RJA1224	FEMALE Q.D. WITH 4 INCH BSPP		1
H3		RJA1223	FEMALE Q.D. WITH 3 INCH BSPP		
H2		RJA1067	FEMALE Q.D. WITH 3 INCH NPT		
H1		RJA1222	FEMALE Q.D. WITH 3 INCH NPT		
D	4	RJA1078	CROSS HANDLE ASSEMBLY		1
E		RJA1155	LONGITUDINAL HANDLE ASSEMBLY		
F	5	91465K91	1/4 INCH HOSE BARB	3A054	1
	6	91465K93	3/8 INCH HOSE BARB	3A054	1
G	7	RJA1220	CARRIAGE		1
T	8	RJA1176	TALL HANDLE, SEMI-RIGID		1
STD	9	RJA1234	HANDLE ASSEMBLY		1
K		RJA1235	FOLDABLE HANDLE ASSEMBLY		
L		RJA1254	FOLDABLE HANDLE ASSY, EXTENDED LENGTH		

PROPRIETARY AND CONFIDENTIAL
 THE INFORMATION CONTAINED IN THIS DRAWING IS THE SOLE PROPERTY OF RAYCON INDUSTRIES, ANY REPRODUCTION IN PART OR AS A WHOLE WITHOUT THE WRITTEN PERMISSION OF RAYCON INDUSTRIES IS PROHIBITED.

UNLESS OTHERWISE SPECIFIED:		NAME	DATE
DIMENSIONS ARE IN INCHES		JW	15/05/15
TOLERANCES:		CHECKED	
FRACTIONAL ±		ENG APPR.	
ANGULAR: MACH ±		MFG APPR.	
BEND ±		Q.A.	
TWO PLACE DECIMAL ±		COMMENTS:	
THREE PLACE DECIMAL ±			
INTERPRET GEOMETRIC TOLERANCING PER:			
MATERIAL			
FINISH			
APPLICATION	DO NOT SCALE DRAWING		

RAYCON INDUSTRIES

TITLE: **HYDRANT COUPLER**

SIZE DWG. NO. REV
C **HYC212**

SCALE: 1:4 WEIGHT: SHEET 1 OF 1