

8 7 6 5 4 3 2 1

D

D

C

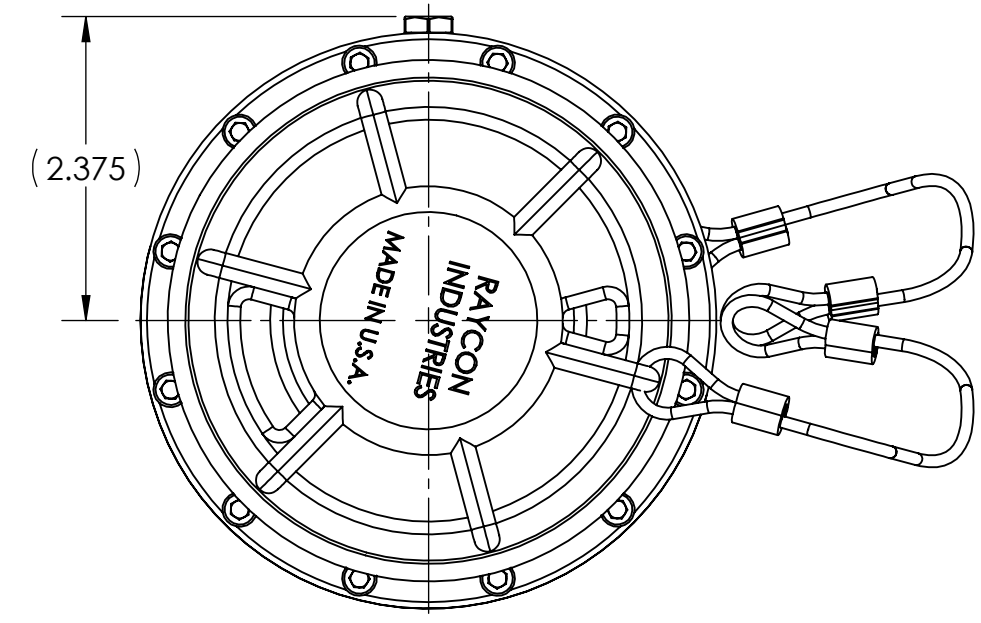
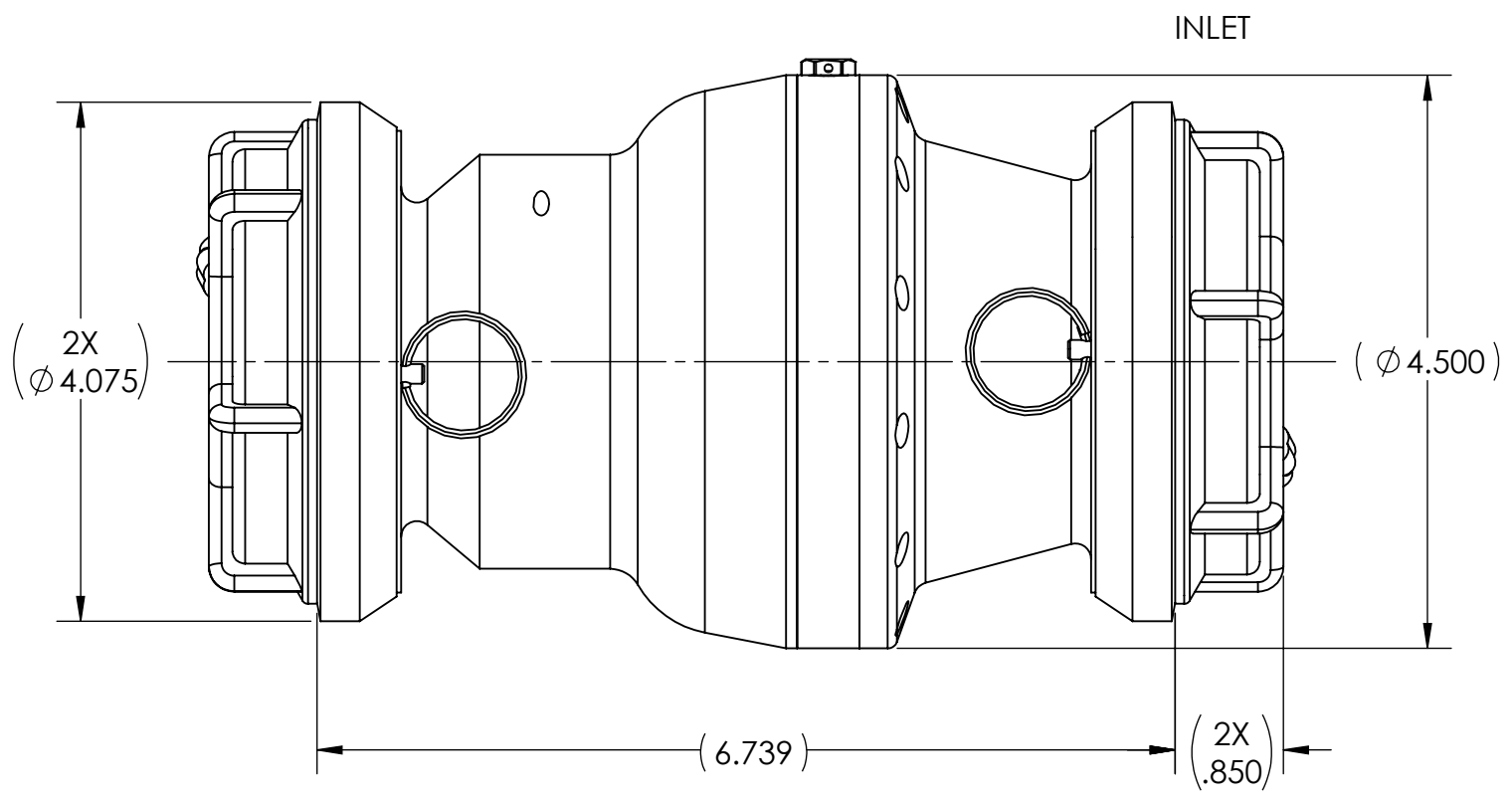
C

B

B

A

A



- 3. CALCULATED WEIGHT: 4.6 LB.
- 2. REGULATED DOWNSTREAM PRESSURE : 45 PSIG NOMINAL
- 1. P/N HCV323, EXTERNAL COLOR GREEN

NOTE:

PROPRIETARY AND CONFIDENTIAL
 THE INFORMATION CONTAINED IN THIS DRAWING IS THE SOLE PROPERTY OF RAYCON INDUSTRIES. ANY REPRODUCTION IN PART OR AS A WHOLE WITHOUT THE WRITTEN PERMISSION OF RAYCON INDUSTRIES IS PROHIBITED.

		UNLESS OTHERWISE SPECIFIED:		NAME	DATE	RAYCON INDUSTRIES				
		DIMENSIONS ARE IN INCHES TOLERANCES: FRACTIONAL ± ANGULAR: MACH ± BEND ± TWO PLACE DECIMAL ± THREE PLACE DECIMAL ±		DRAWN	JW			18/11/01		
		INTERPRET GEOMETRIC TOLERANCING PER:		CHECKED			TITLE: HOSE END CONTROL VALVE WITH 2" UNISEX COUPLING FITTINGS			
		MATERIAL		ENG APPR.						
NEXT ASSY	USED ON	FINISH		MFG APPR.			SIZE	DWG. NO.	REV	
APPLICATION		DO NOT SCALE DRAWING		Q.A.			B	HCV324	-	
				COMMENTS:				SCALE: 1:4	WEIGHT:	SHEET 1 OF 1

8 7 6 5 4 3 2 1