

4

3

2

1

D

D

C

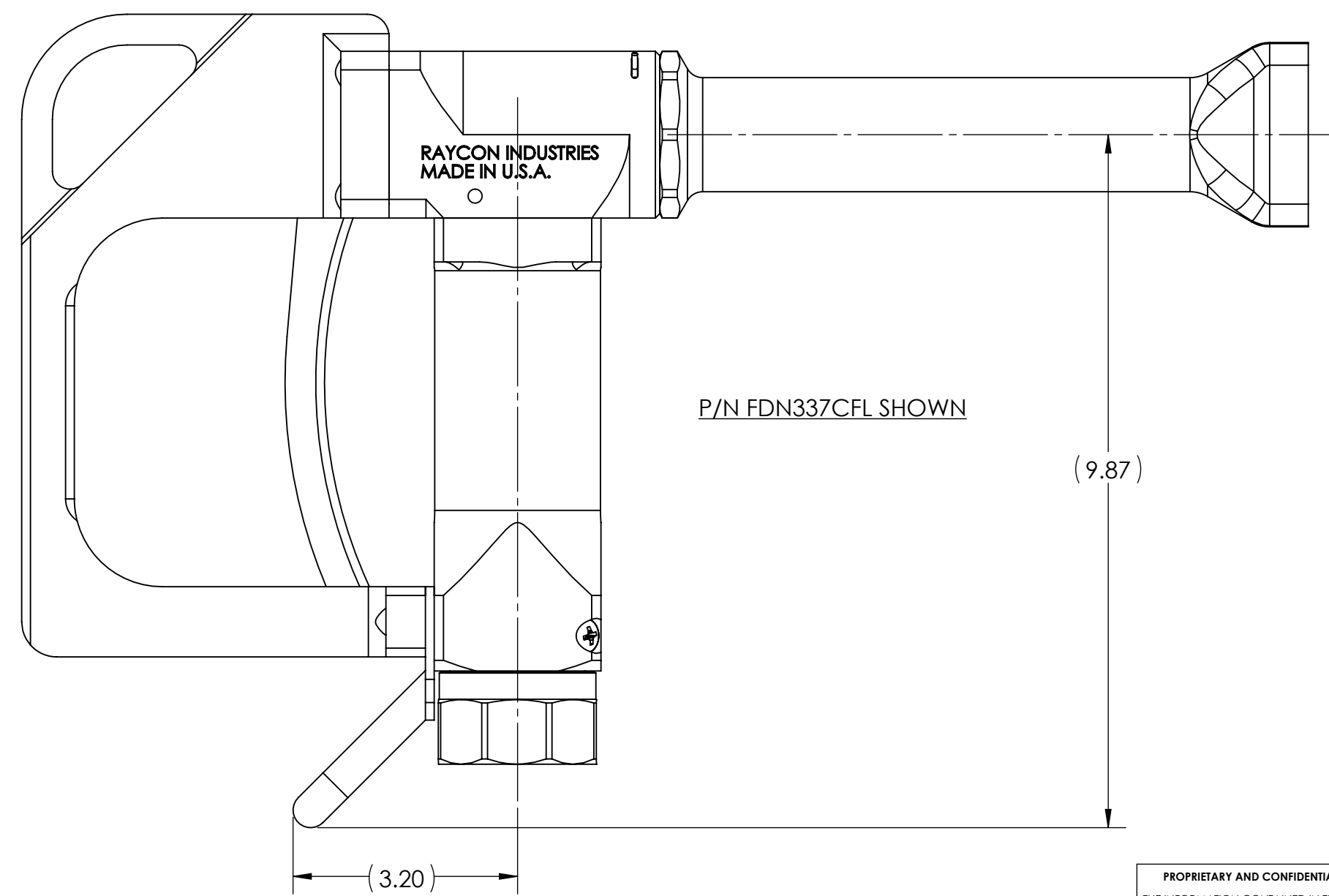
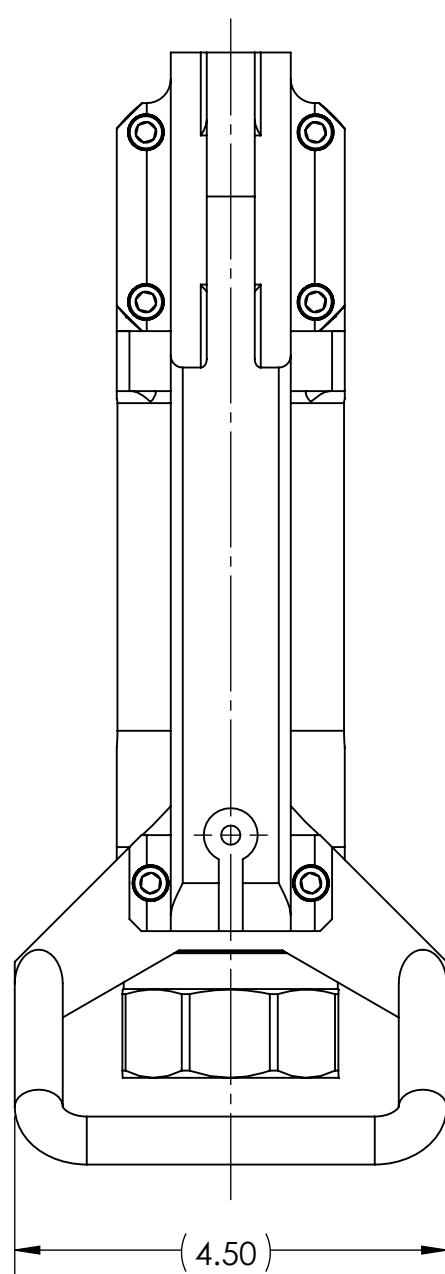
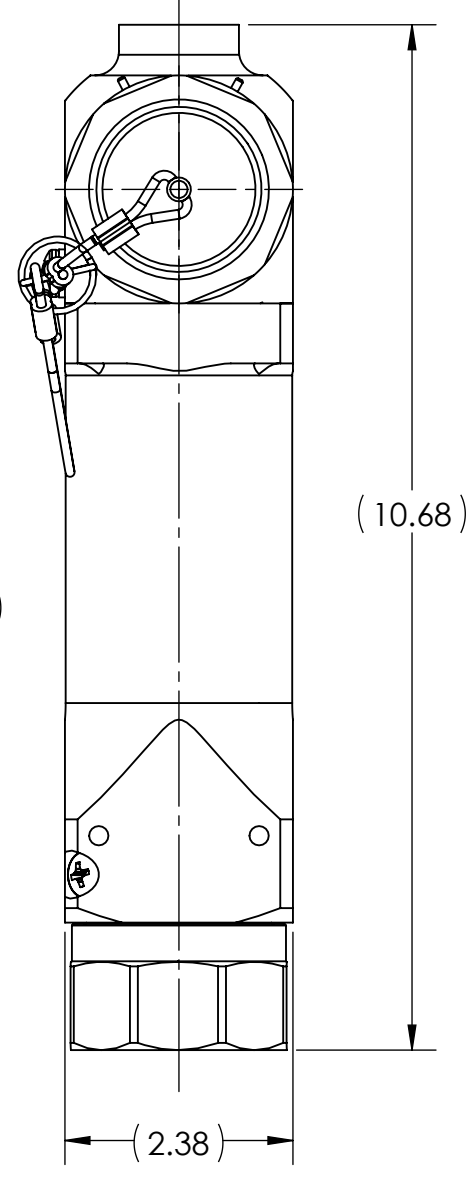
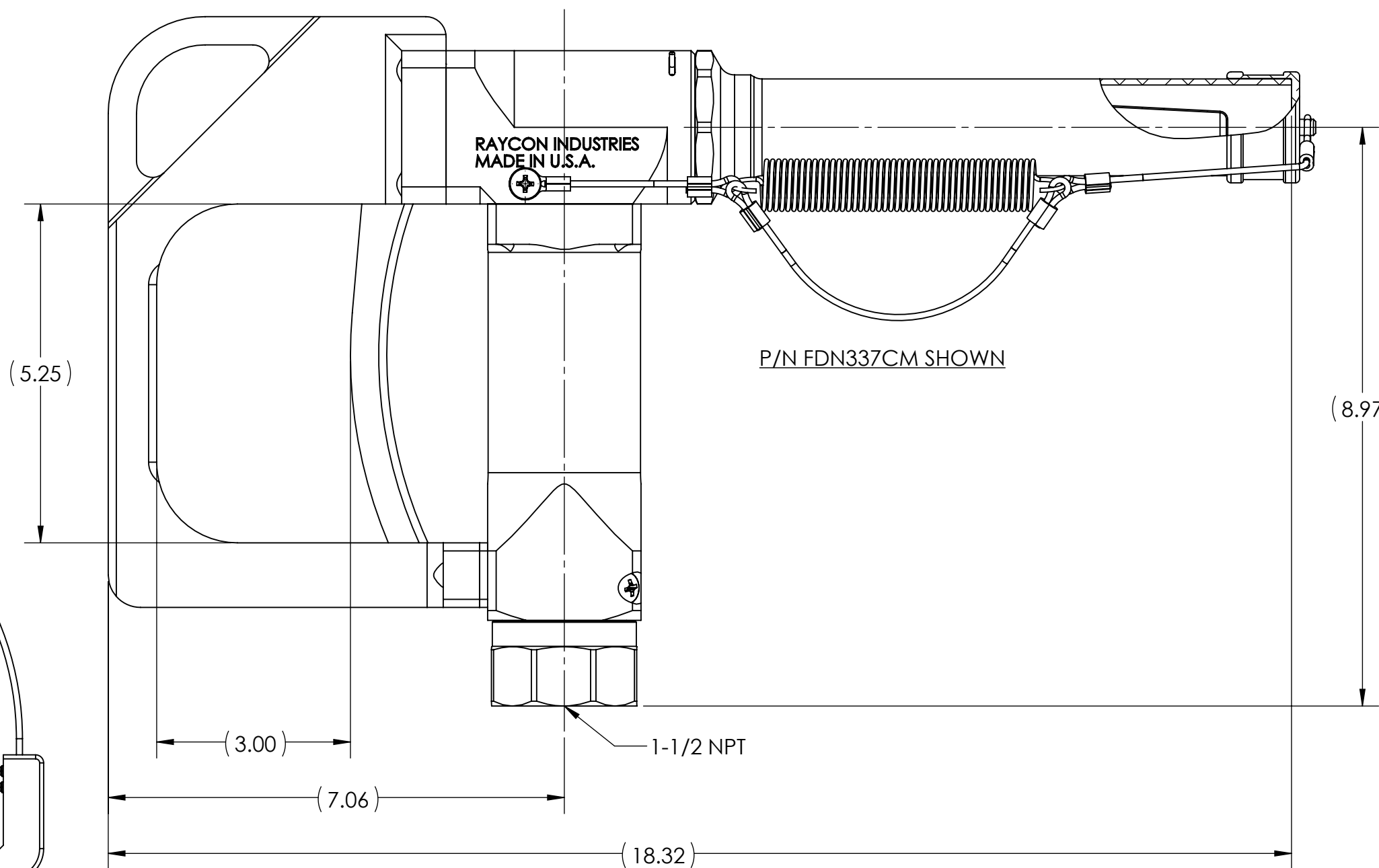
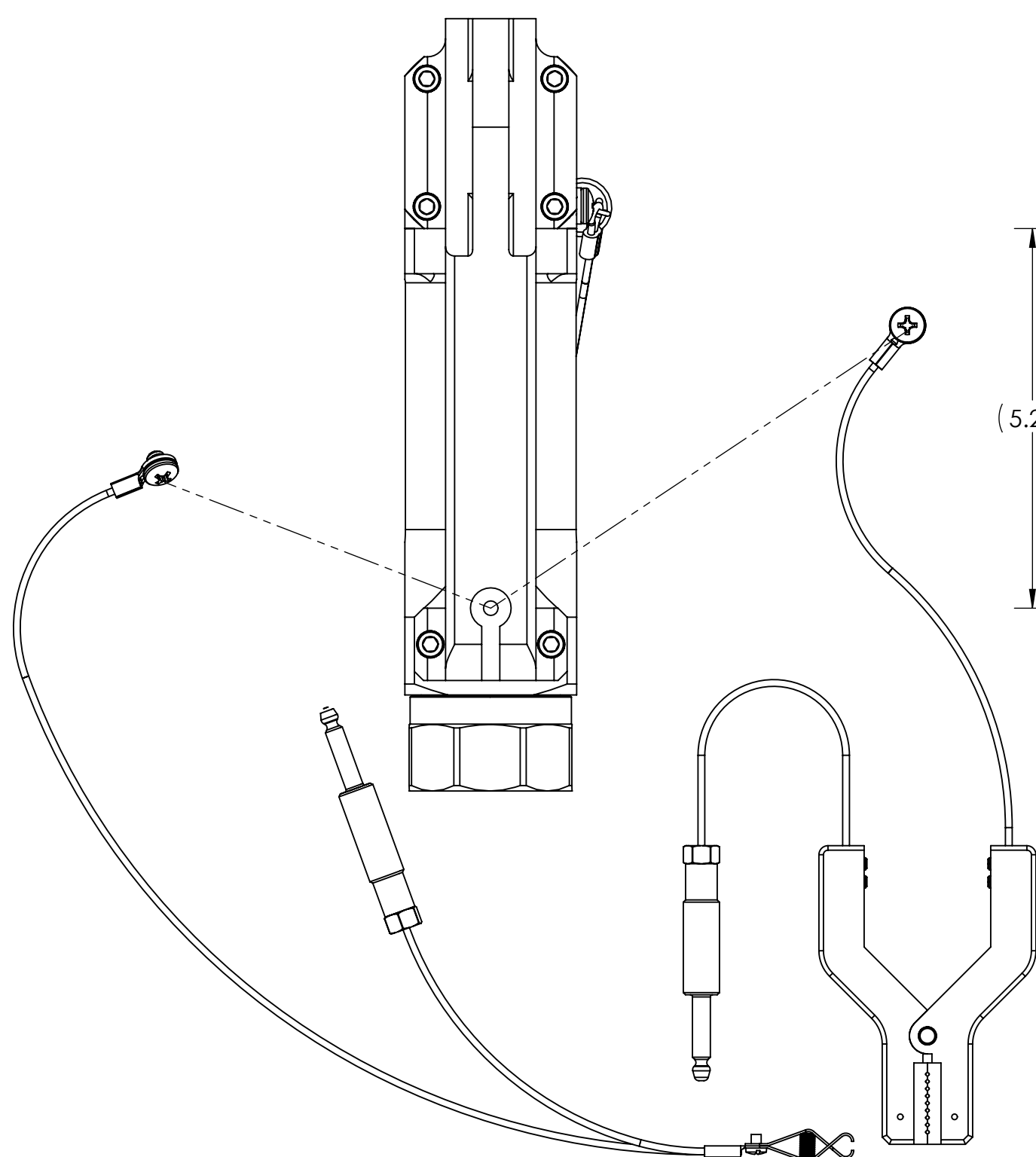
C

B

B

A

A



EXAMPLE: PART NUMBER

FDN337 C E H L

- ADDS HANGER
- ADDS BONDING CABLE WITH CLIP AND PLUG
- WITH 1.00 INCH SPOUT
- ADDS 100 MESH STRAINER
- OVERWING FUEL DISPENSING NOZZLE

MODEL	FDN337	OVERWING FUELING NOZZLE WITH 1-1/2 INCH NPT INLET, 1.50 INCH O.D. DISCHARGE SPOUT
OPTIONS	A	ADDS 40 MESH STRAINER
	B	ADDS 60 MESH STRAINER
	C	ADDS 100 MESH STRAINER
	D	WITH 1.25 INCH O.D. DISCHARGE SPOUT
	E	WITH 1.00 INCH O.D. DISCHARGE SPOUT
	F	WITH 1.63 INCH O.D. SPOUT WITH 2.63 INCH DUCK BILL DISCHARGE
	H	ADDS BONDING CABLE WITH CLIP AND PLUG
	K	ADDS BONDING CABLE WITH CLAMP AND PLUG
	L	ADDS HANGER
	M	ADDS DUST CAP

**PROPRIETARY AND CONFIDENTIAL**  
 THE INFORMATION CONTAINED IN THIS DRAWING IS THE SOLE PROPERTY OF RAYCON INDUSTRIES, ANY REPRODUCTION IN PART OR AS A WHOLE WITHOUT THE WRITTEN PERMISSION OF RAYCON INDUSTRIES IS PROHIBITED.

UNLESS OTHERWISE SPECIFIED:		NAME	DATE
DIMENSIONS ARE IN INCHES		JW	20/06/29
TOLERANCES:			
FRACTIONAL ±			
ANGULAR: MACH ± BEND ±			
TWO PLACE DECIMAL ±			
THREE PLACE DECIMAL ±			
INTERPRET GEOMETRIC TOLERANCING PER:		Q.A.	
MATERIAL		COMMENTS:	
FINISH			
NEXT ASSY	USED ON		
APPLICATION			

<b>RAYCON INDUSTRIES</b>		
TITLE:		
<b>FUELING DISPENSING NOZZLE</b>		
SIZE	DWG. NO.	REV
<b>C</b>	<b>FDN337</b>	-
SCALE: 1:2	WEIGHT:	SHEET 1 OF 1