

8

7

6

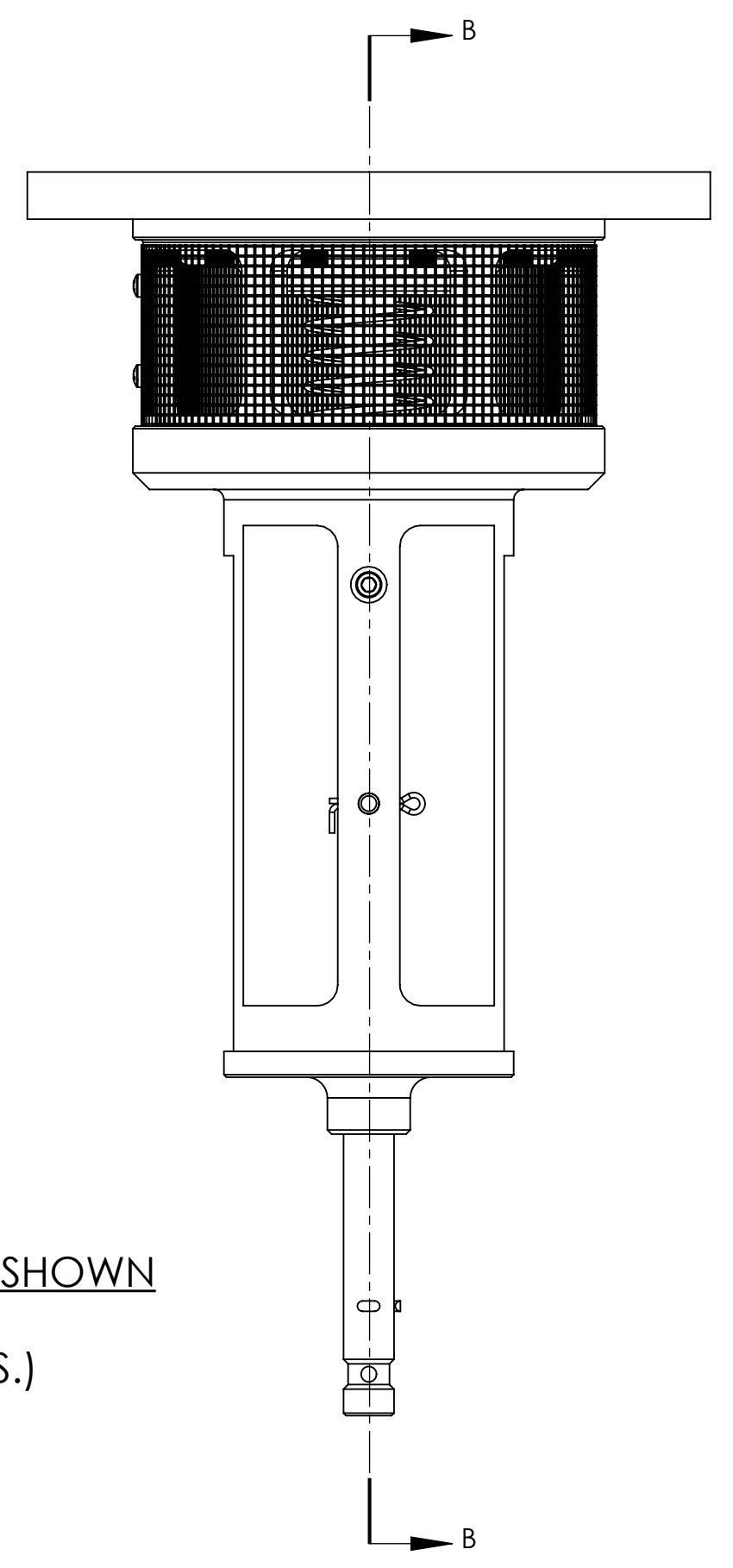
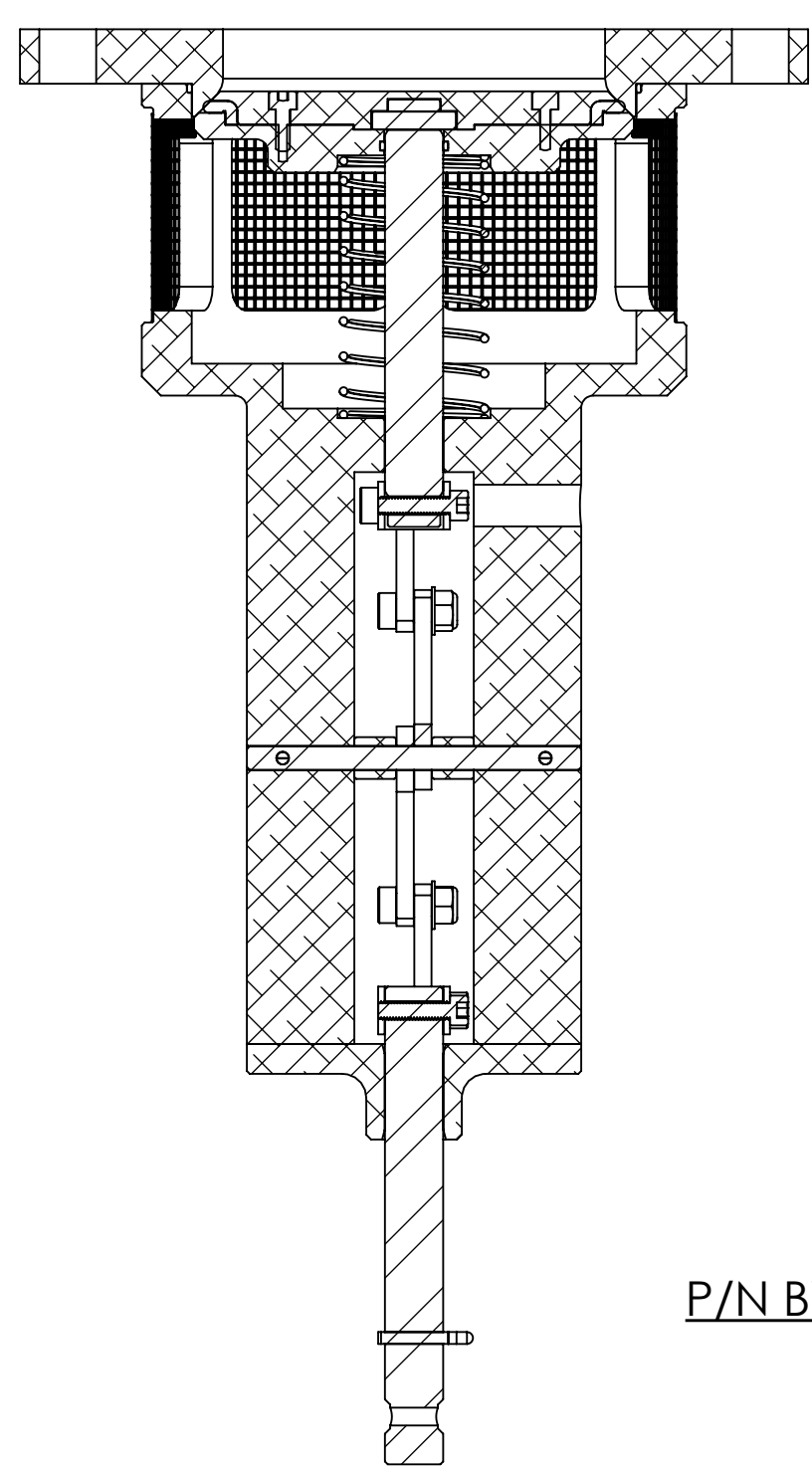
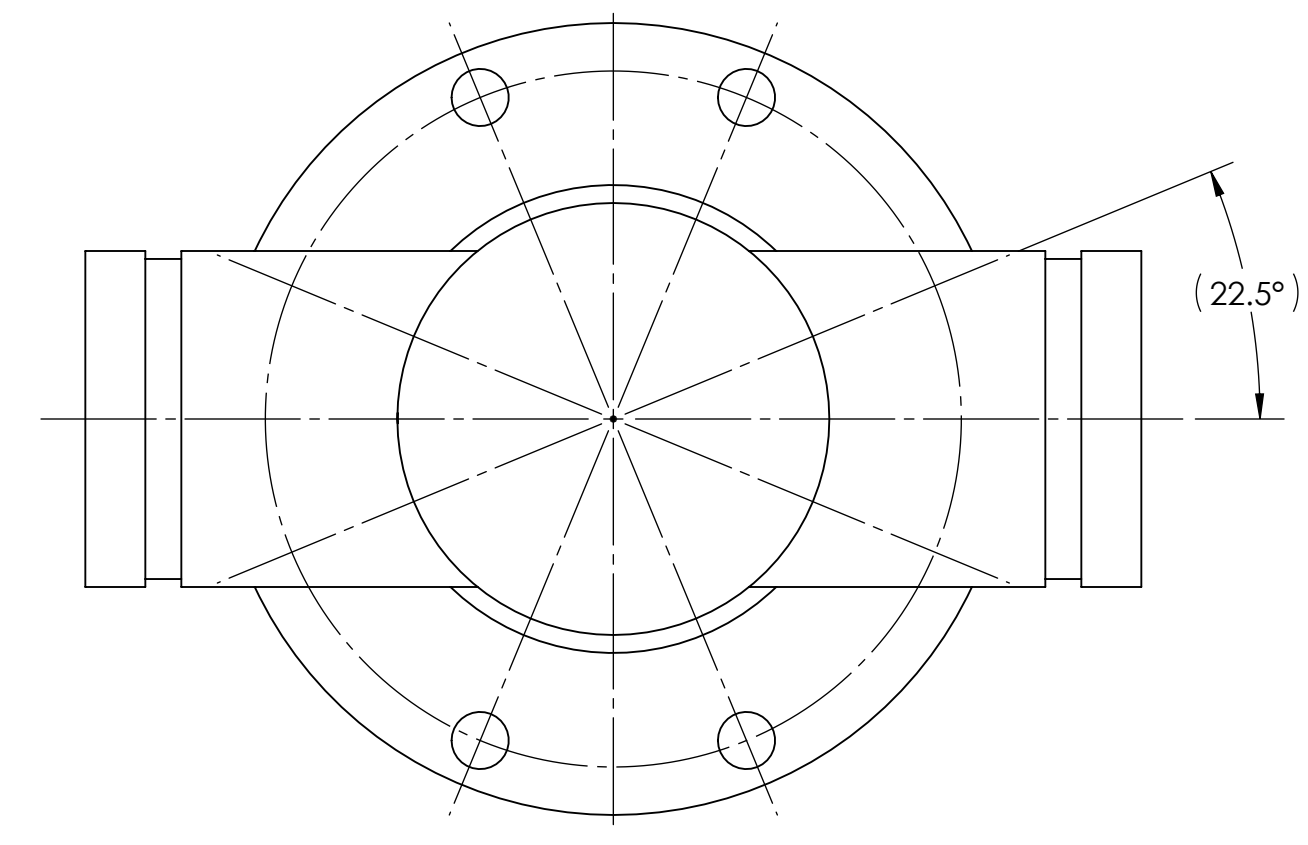
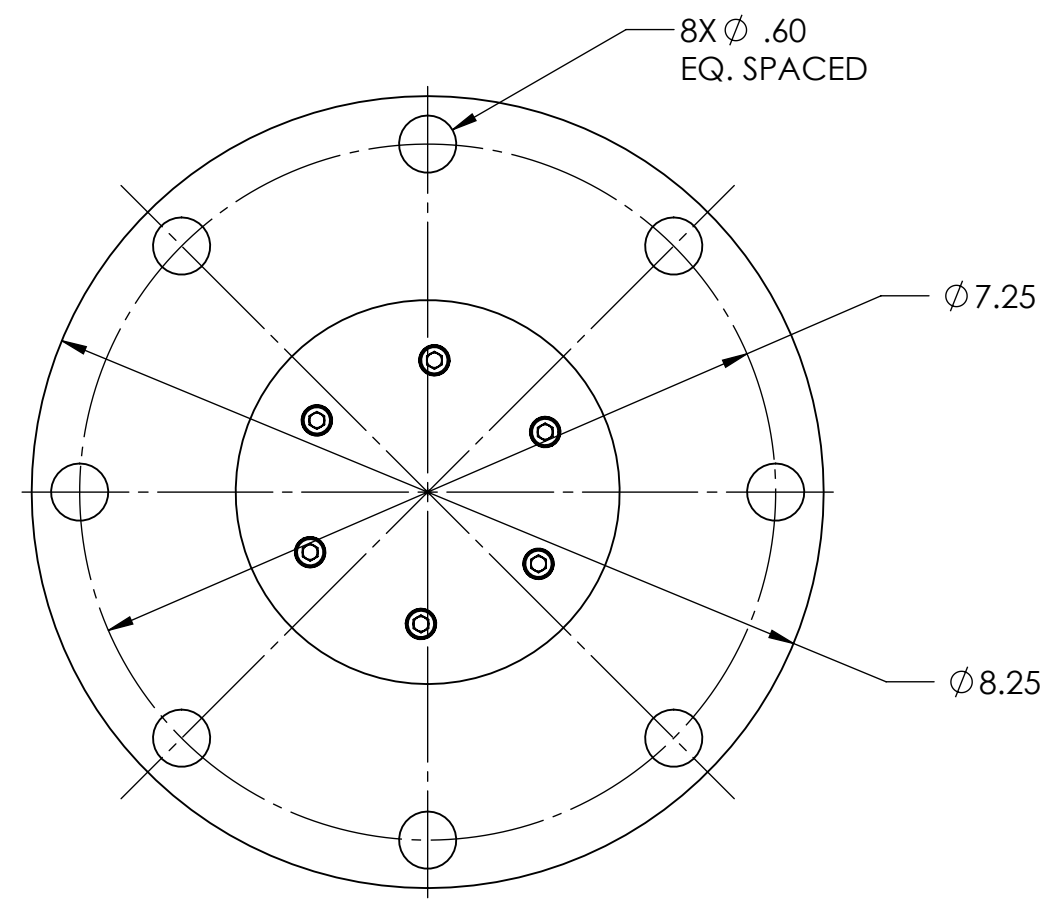
5

4

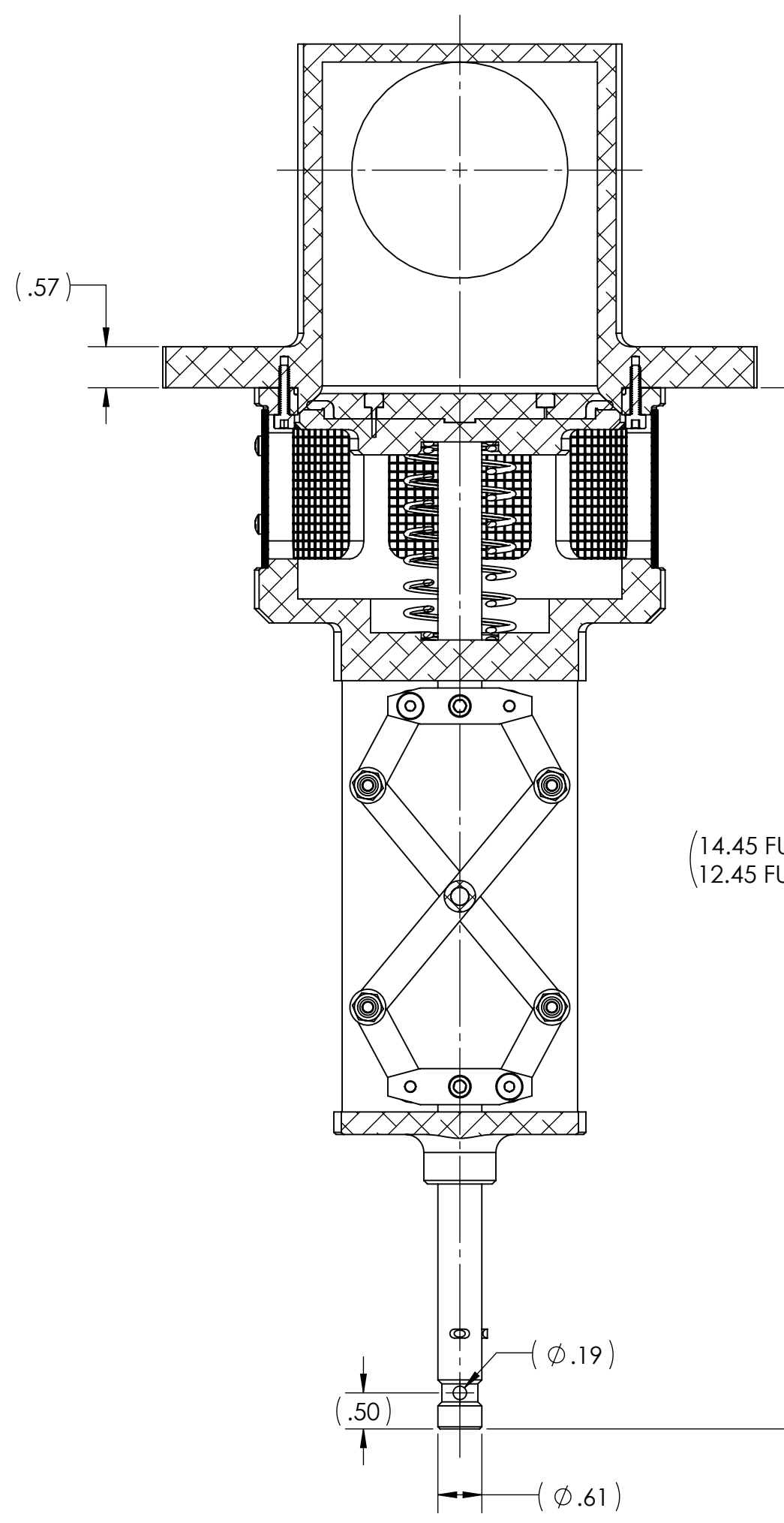
3

2

1

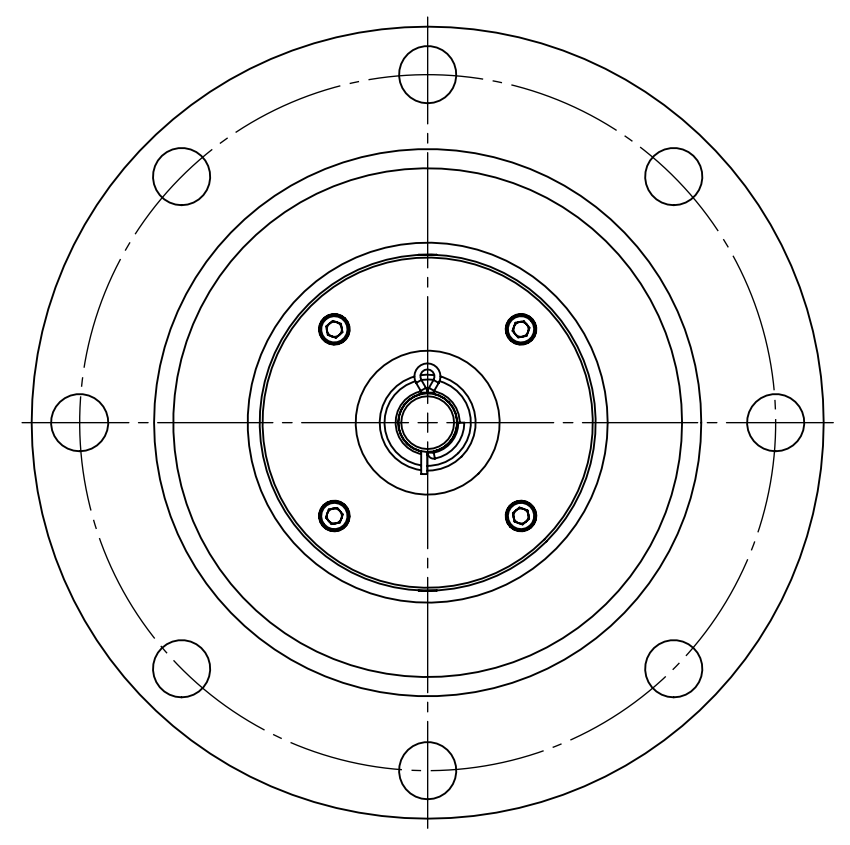
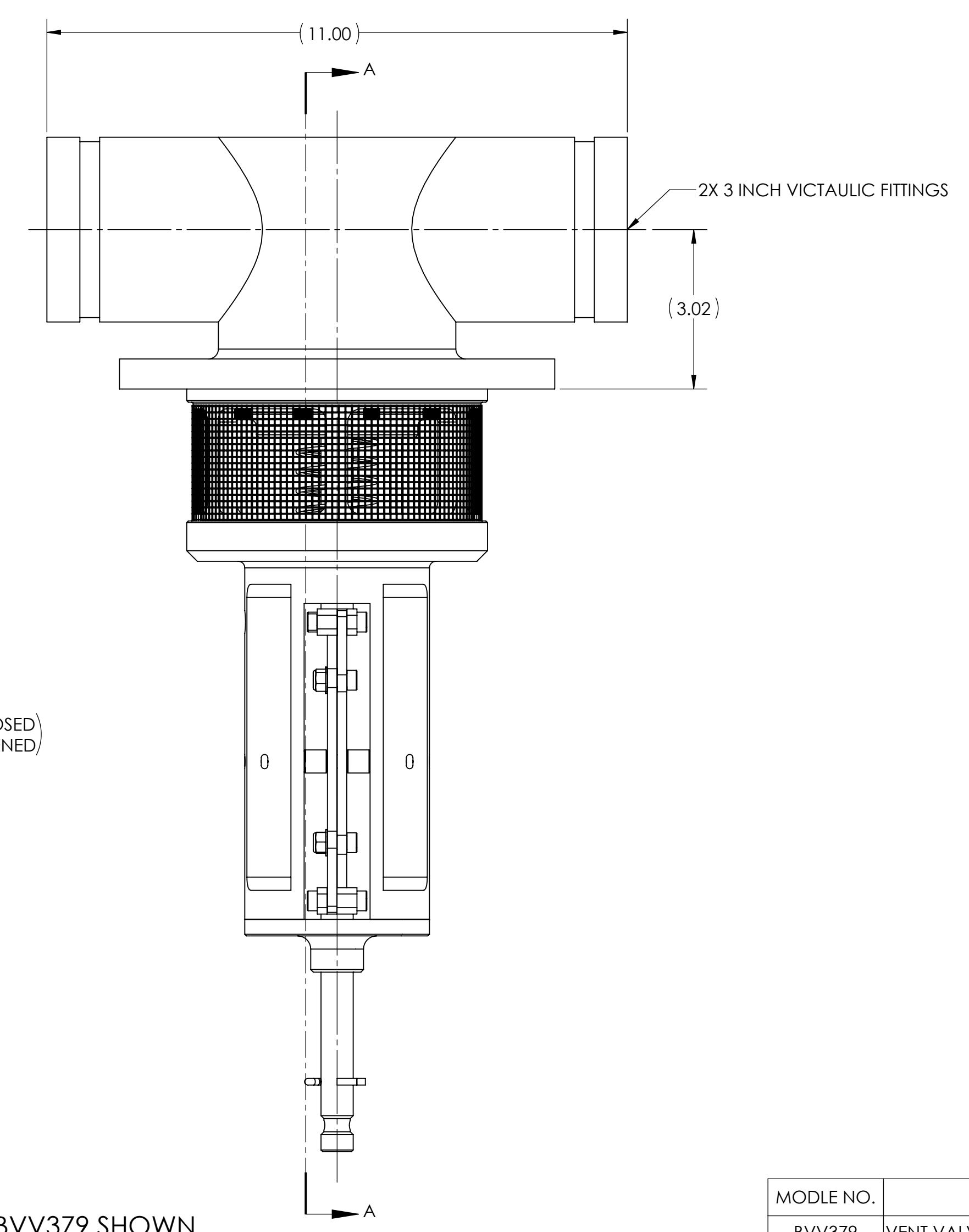


P/N BVV379D SHOWN  
(8.70 LBS.)



(14.45 FULLY CLOSED)  
(12.45 FULLY OPENED)

P/N BVV379 SHOWN  
(11.73 LBS.)



MODLE NO.	DESCRIPTIONS
BVV379	VENT VALVE, MECHANICALLY OPERATED WITH HOOD
BVV379D	VENT VALVE, MECHANICALLY OPERATED WITHOUT HOOD

**PROPRIETARY AND CONFIDENTIAL**  
THE INFORMATION CONTAINED IN THIS DRAWING IS THE SOLE PROPERTY OF RAYCON INDUSTRIES. ANY REPRODUCTION IN PART OR AS A WHOLE WITHOUT THE WRITTEN PERMISSION OF RAYCON INDUSTRIES IS PROHIBITED.

UNLESS OTHERWISE SPECIFIED:		NAME	DATE
DIMENSIONS ARE IN INCHES		JW	17/07/17
TOLERANCES:			
FRACTIONAL ±			
ANGULAR: MAACH ± BEND ±			
TWO PLACE DECIMAL ±			
THREE PLACE DECIMAL ±			
INTERPRET GEOMETRIC TOLERANCING PER:			
MATERIAL			
FINISH			
NEXT ASSY	USED ON		
APPLICATION			DO NOT SCALE DRAWING

**RAYCON INDUSTRIES**

TITLE: **VENT VALVE MECHANICAL 4 INCH**

SIZE DWG. NO. REV  
**D BVV379 -**

SCALE: 1:2 WEIGHT: SHEET 1 OF 1

8

7

6

5

4

3

2

1