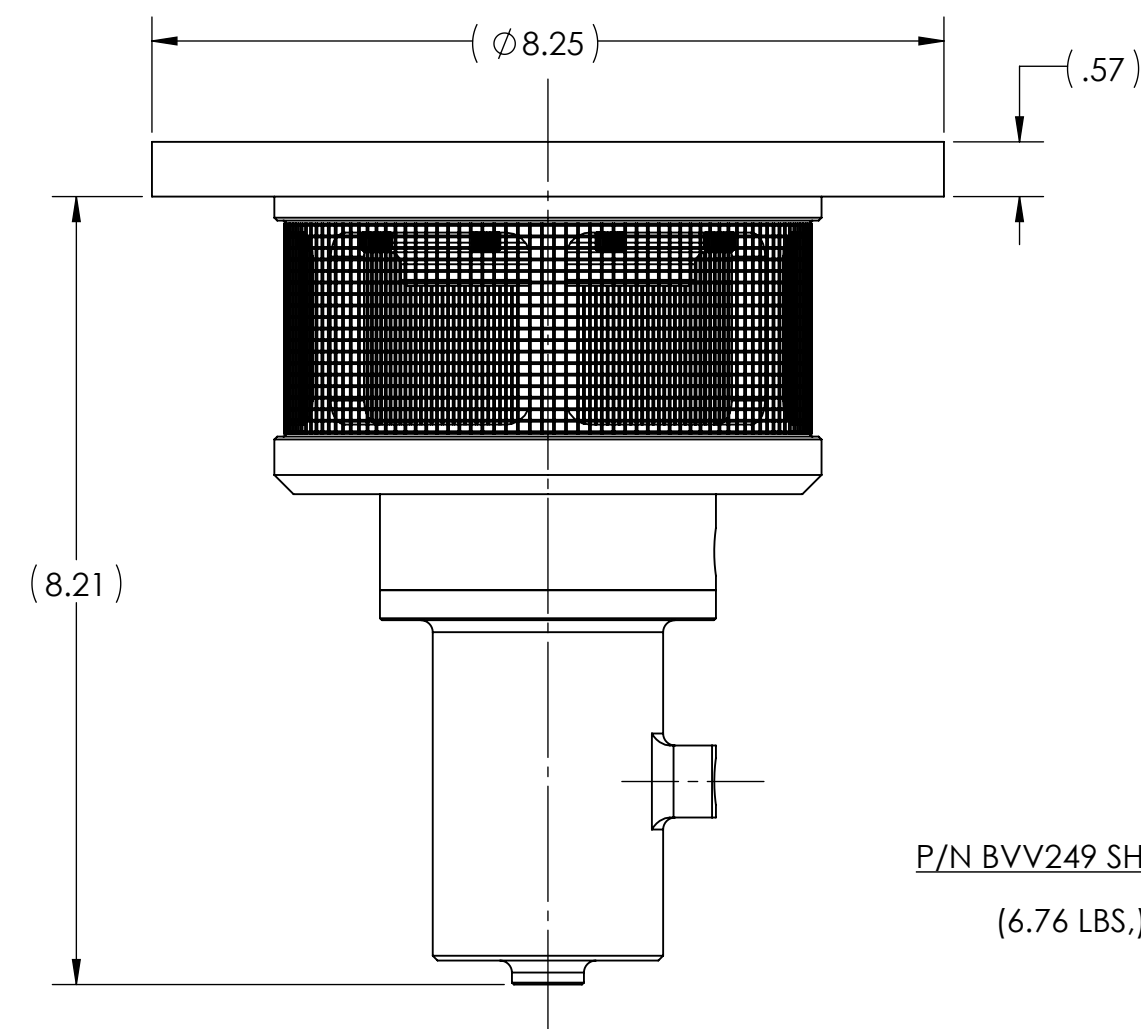
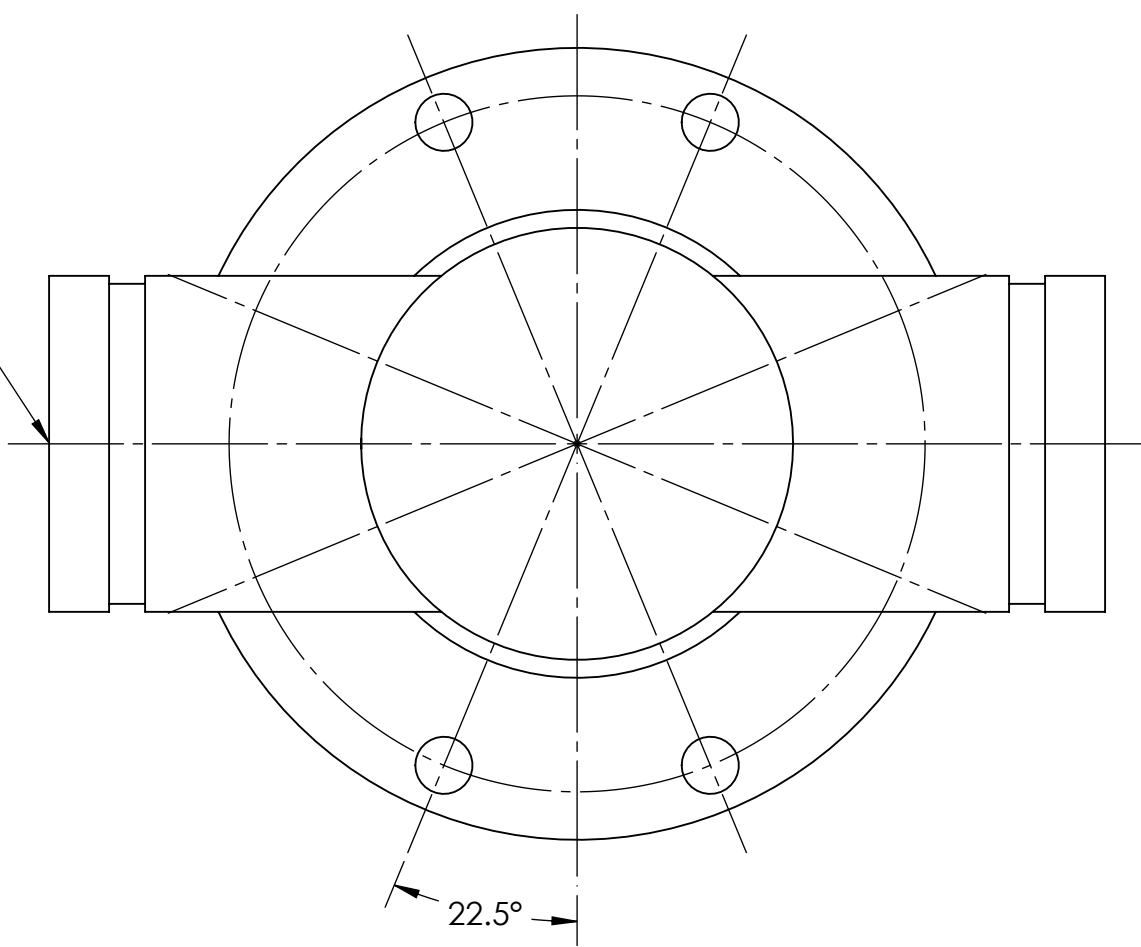
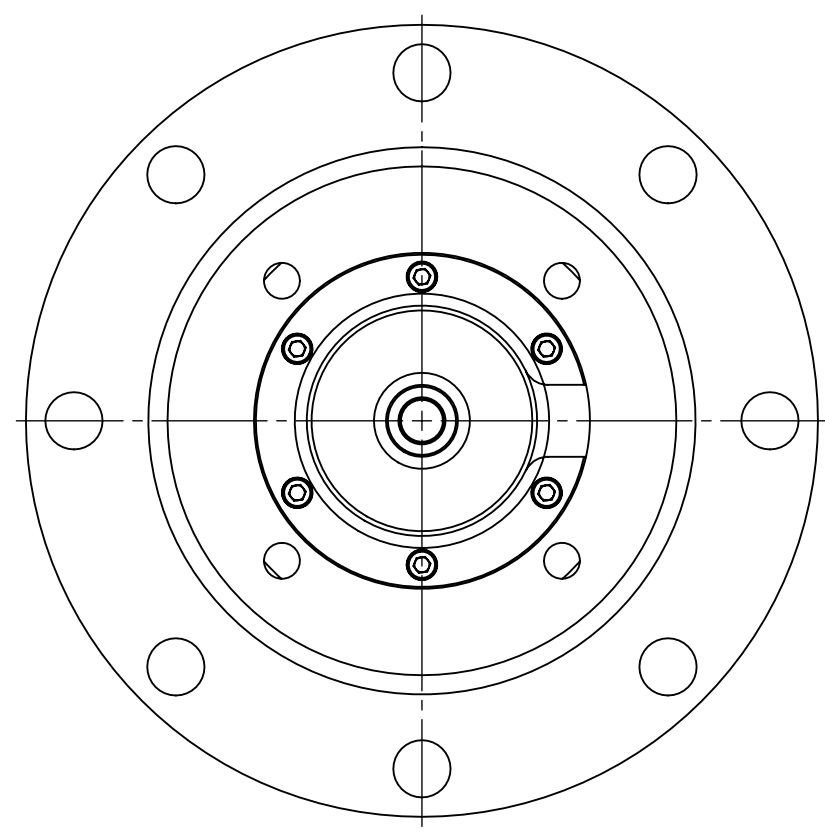
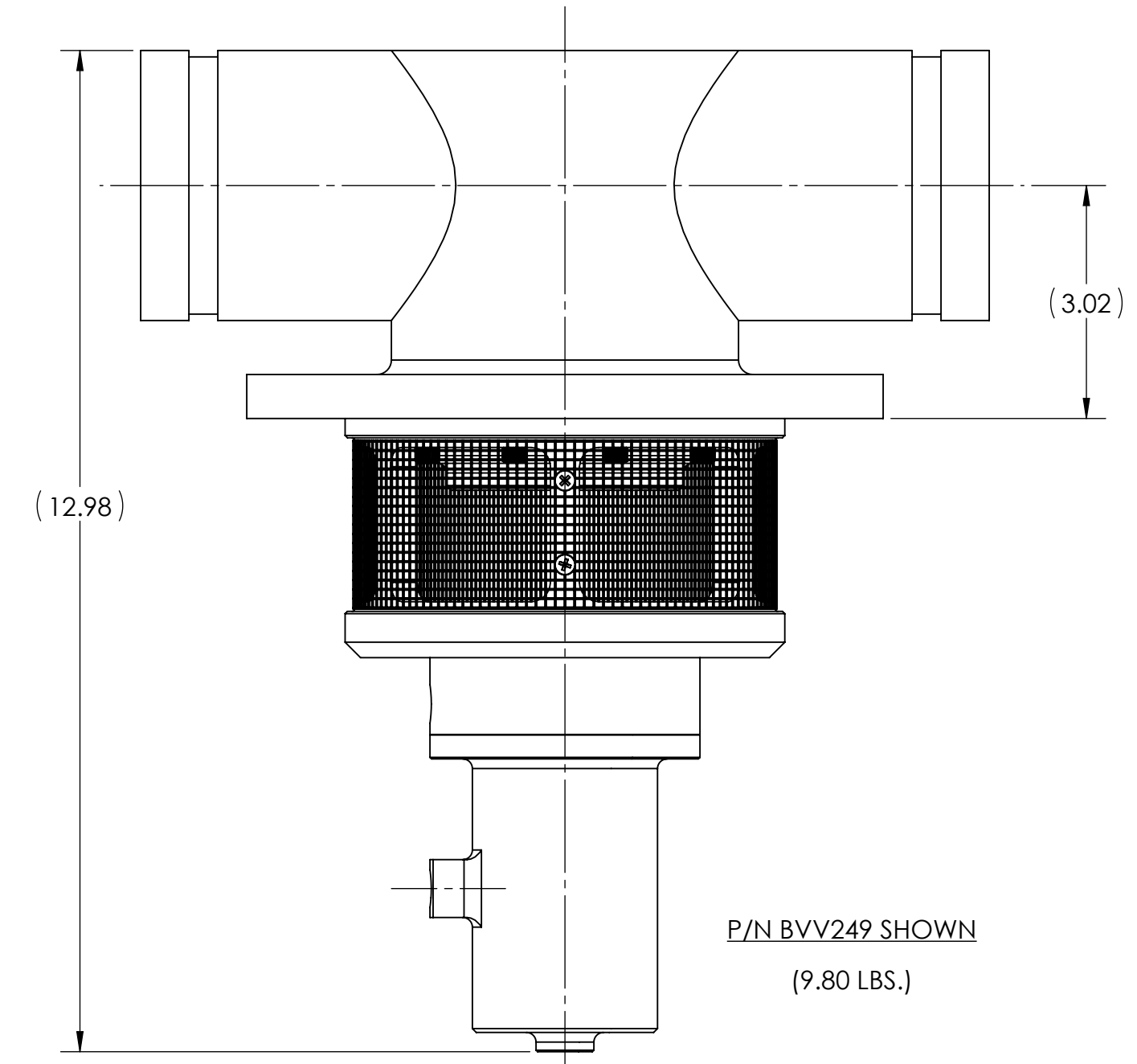
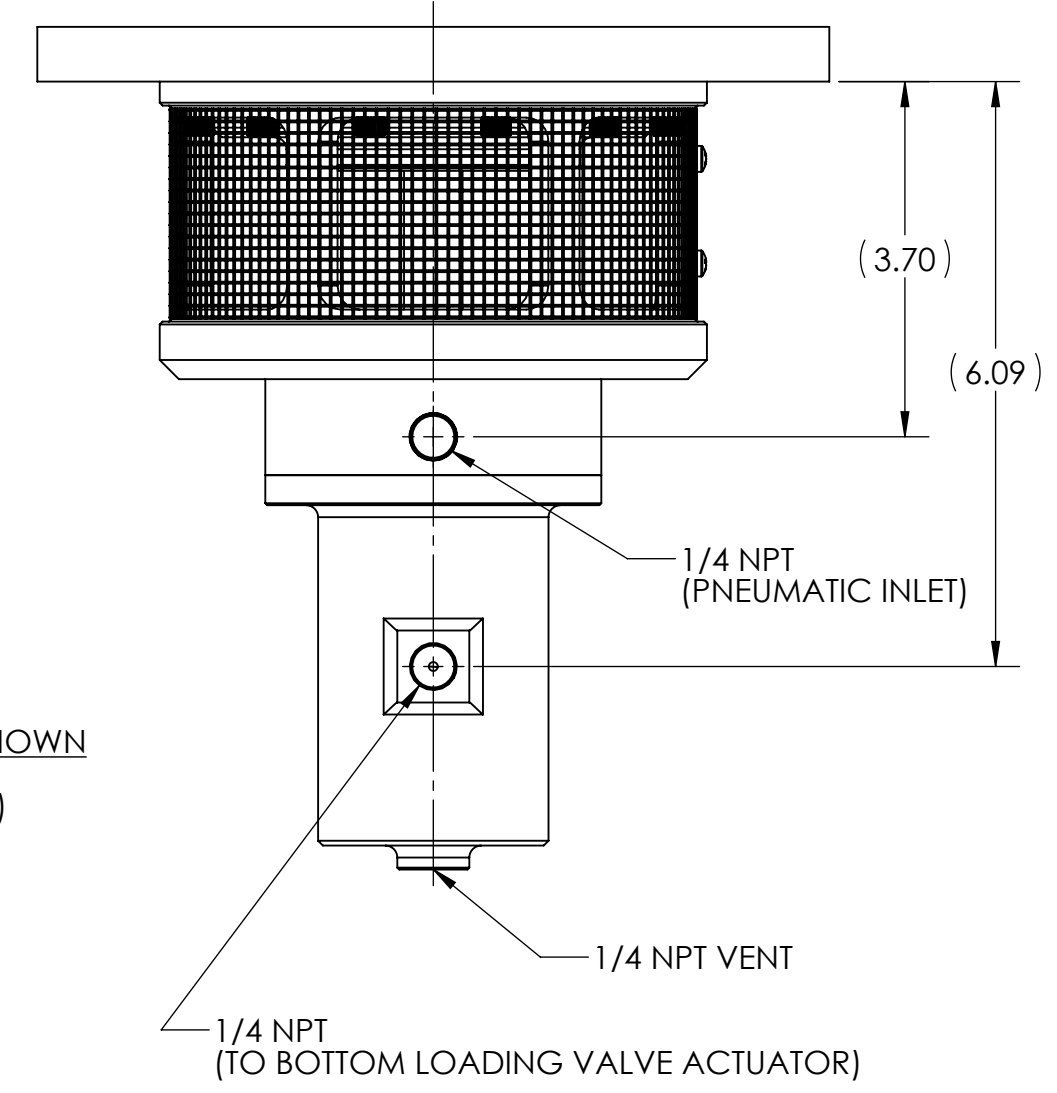


2X 3 INCH VICTAULIC FITTINGS



P/N BVV249 SHOWN
(6.76 LBS.)



MODLE NO.	DESCRIPTIONS
BVV249	VENT VALVE, 4 INCH, PNEUMATIC OPERATED WITH HOOD
BVV249D	VENT VALVE, 4 INCH, PNEUMATIC OPERATED WITHOUT HOOD

PROPRIETARY AND CONFIDENTIAL
 THE INFORMATION CONTAINED IN THIS DRAWING IS THE SOLE PROPERTY OF RAYCON INDUSTRIES. ANY REPRODUCTION IN PART OR AS A WHOLE WITHOUT THE WRITTEN PERMISSION OF RAYCON INDUSTRIES IS PROHIBITED.

UNLESS OTHERWISE SPECIFIED:		DRAWN		NAME	DATE	RAYCON INDUSTRIES
DIMENSIONS ARE IN INCHES		CHECKED		JW	16/02/14	
TOLERANCES:		ENG APPR.				
FRACTIONAL: \pm		MFG APPR.				
ANGULAR: MACH $\pm 5^\circ$		Q.A.		COMMENTS:		TITLE: VENT VALVE 4 INCH PNEUMATIC OPERATED
BEND \pm		FINISH				SIZE DWG. NO. REV C BVV249 -
TWO PLACE DECIMAL $\pm .010$		APPLICATION		DO NOT SCALE DRAWING		SCALE: 1:2 WEIGHT: SHEET 1 OF 1
THREE PLACE DECIMAL $\pm .005$		USED ON				