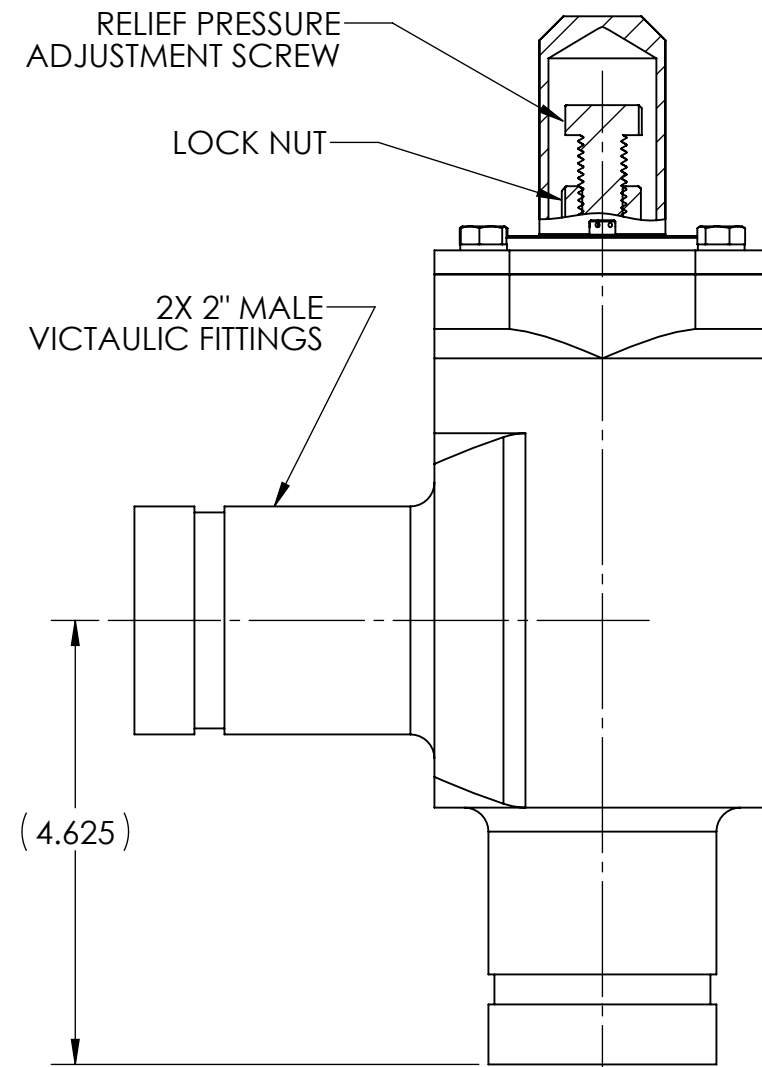
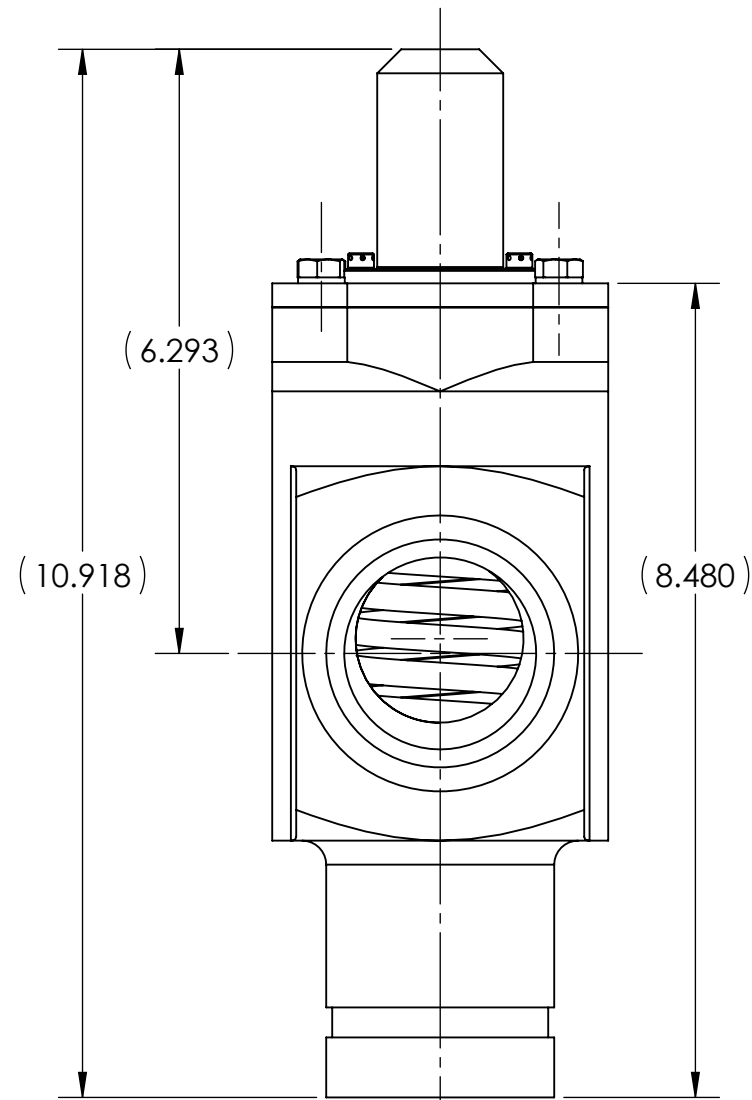
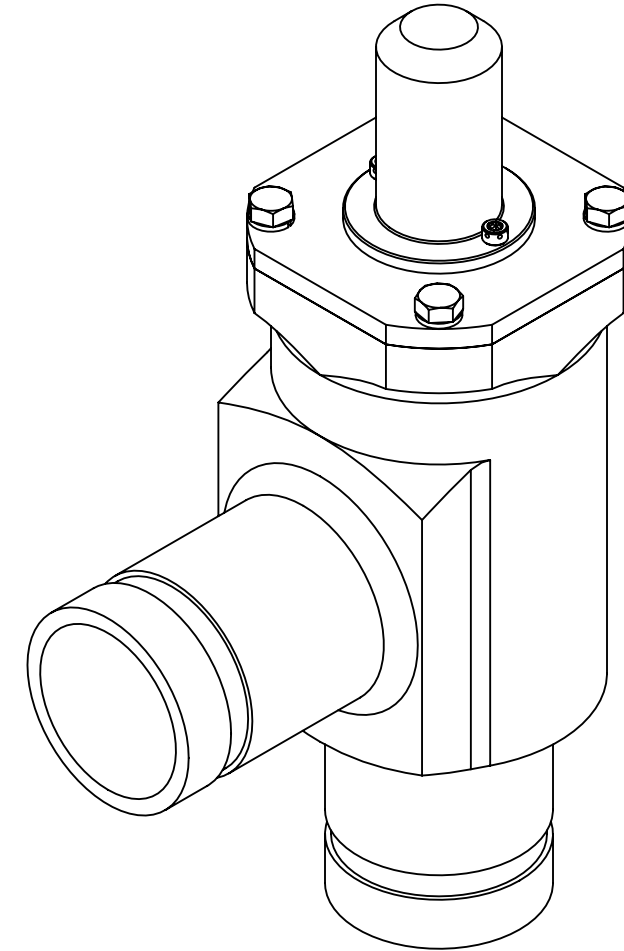
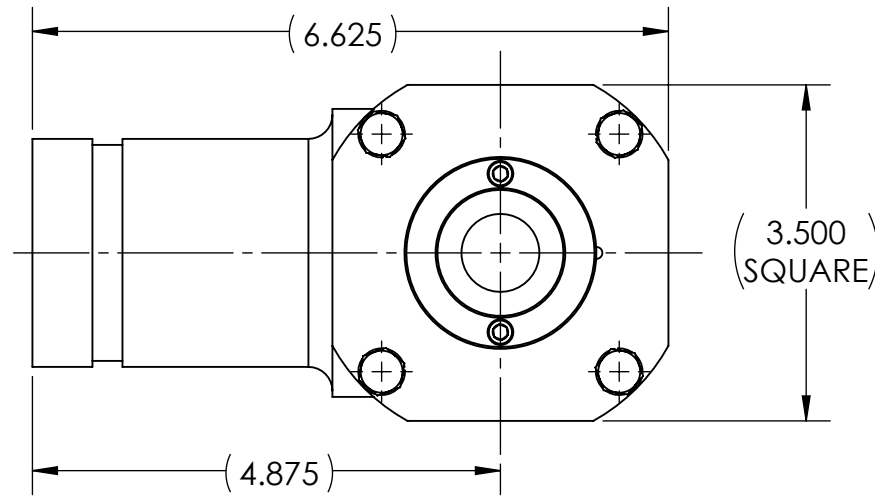


4

3

2

1



MATERIALS AND FINISHES
 BODY AND VALVE: ALUMINUM ALLOY, ANODIZED
 SEAL MATERIALS: BUNA N
 HARDWARE AND SPRINGS: STAINLESS STEEL

BPV316B	9 - 58
BPV316A	47 - 87
BPV316	63 - 98
P/N	ADJUSTABLE RELIEF PRESSURE (NOMINAL, PSIG)

PROPRIETARY AND CONFIDENTIAL
 THE INFORMATION CONTAINED IN THIS DRAWING IS THE SOLE PROPERTY OF RAYCON INDUSTRIES. ANY REPRODUCTION IN PART OR AS A WHOLE WITHOUT THE WRITTEN PERMISSION OF RAYCON INDUSTRIES IS PROHIBITED.

		UNLESS OTHERWISE SPECIFIED:	NAME	DATE	RAYCON INDUSTRIES	
		DIMENSIONS ARE IN INCHES	DRAWN	JW	18/07/19	TITLE: BYPASS VALVE
		TOLERANCES:	CHECKED			2 INCH
		FRACTIONAL: ±	ENG APPR.			WITH MALE VICTAULIC FITTING
		ANGULAR: MACH ± BEND ±	MFG APPR.			INLET AND OUTLET
		TWO PLACE DECIMAL ±	Q.A.			SIZE DWG. NO. REV
		THREE PLACE DECIMAL ±	COMMENTS:			B BPV316 -
		INTERPRET GEOMETRIC TOLERANCING PER:				SCALE: 1:4 WT: 5.03 LBS. SHEET 1 OF 1
		MATERIAL				
NEXT ASSY	USED ON	FINISH				
APPLICATION		DO NOT SCALE DRAWING				

4

3

2

1

B

B

A

A