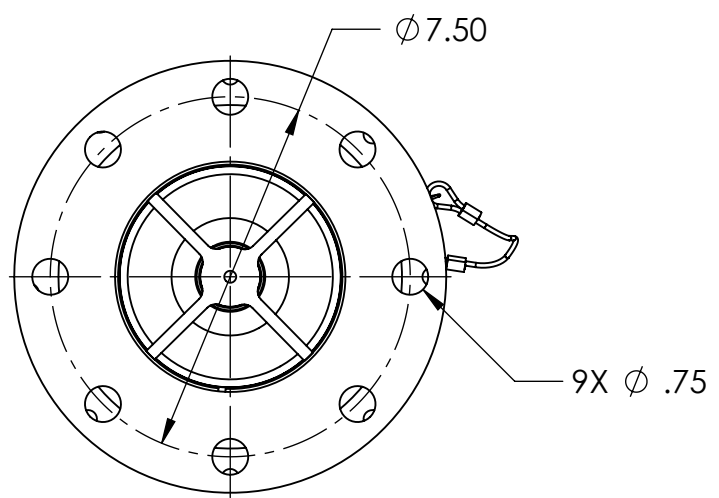
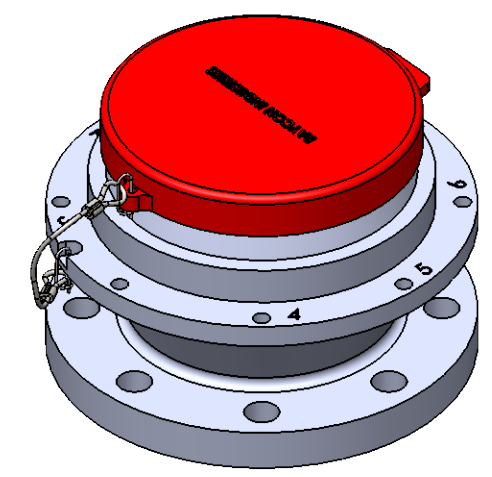
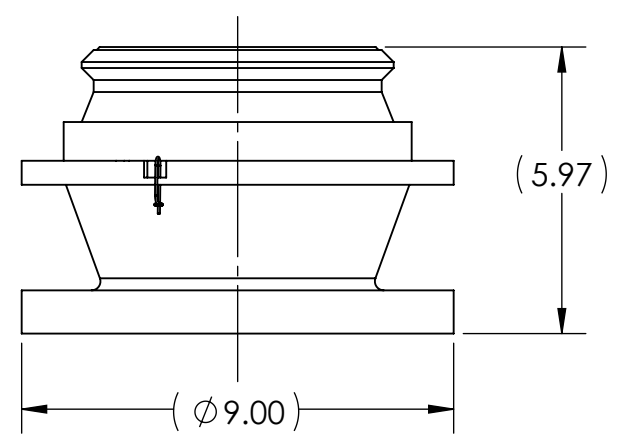
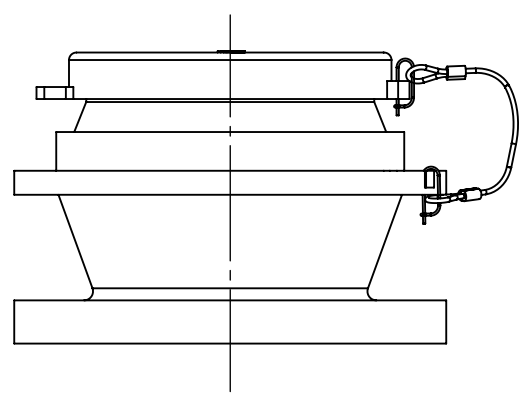
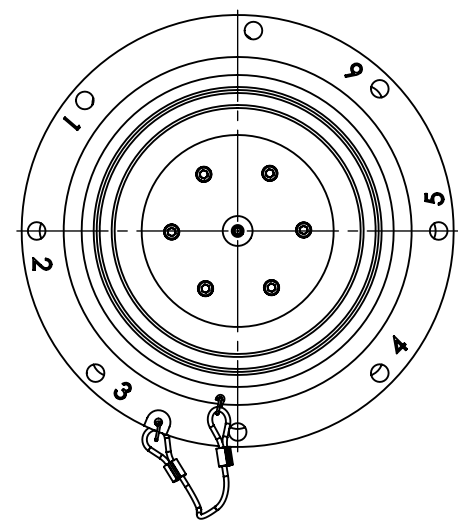
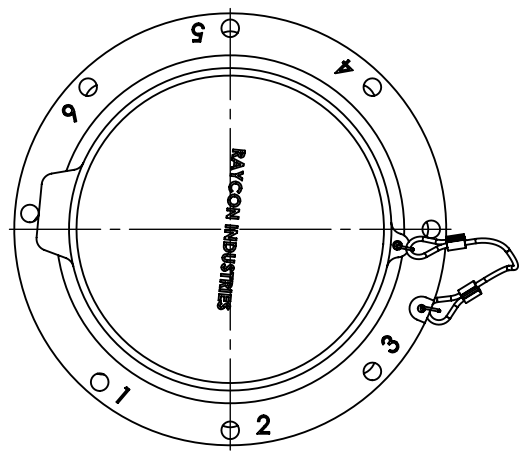


8 7 6 5 4 3 2 1

D  
C  
B  
A

D  
C  
B  
A



1. CALCULATED WEIGHT 4.4 LBS

**PROPRIETARY AND CONFIDENTIAL**  
THE INFORMATION CONTAINED IN THIS DRAWING IS THE SOLE PROPERTY OF RAYCON INDUSTRIES. ANY REPRODUCTION IN PART OR AS A WHOLE WITHOUT THE WRITTEN PERMISSION OF RAYCON INDUSTRIES IS PROHIBITED.

		UNLESS OTHERWISE SPECIFIED:		NAME	DATE	<b>RAYCON INDUSTRIES</b>	
		DIMENSIONS ARE IN INCHES TOLERANCES: FRACTIONAL ± ANGULAR: MACH ±.5 BEND ± TWO PLACE DECIMAL ±.010 THREE PLACE DECIMAL ±.005		DRAWN	JW		
				CHECKED			TITLE:
				ENG APPR.			API
				MFG APPR.			BOTTOM LOADING ADAPTER
				Q.A.			SIZE
				COMMENTS:			DWG. NO.
		BLA224					<b>B</b>
NEXT ASSY		USED ON					REV
APPLICATION		DO NOT SCALE DRAWING					-
							SCALE: 1:4
							WEIGHT:
							SHEET 1 OF 1

8 7 6 5 4 3 2 1