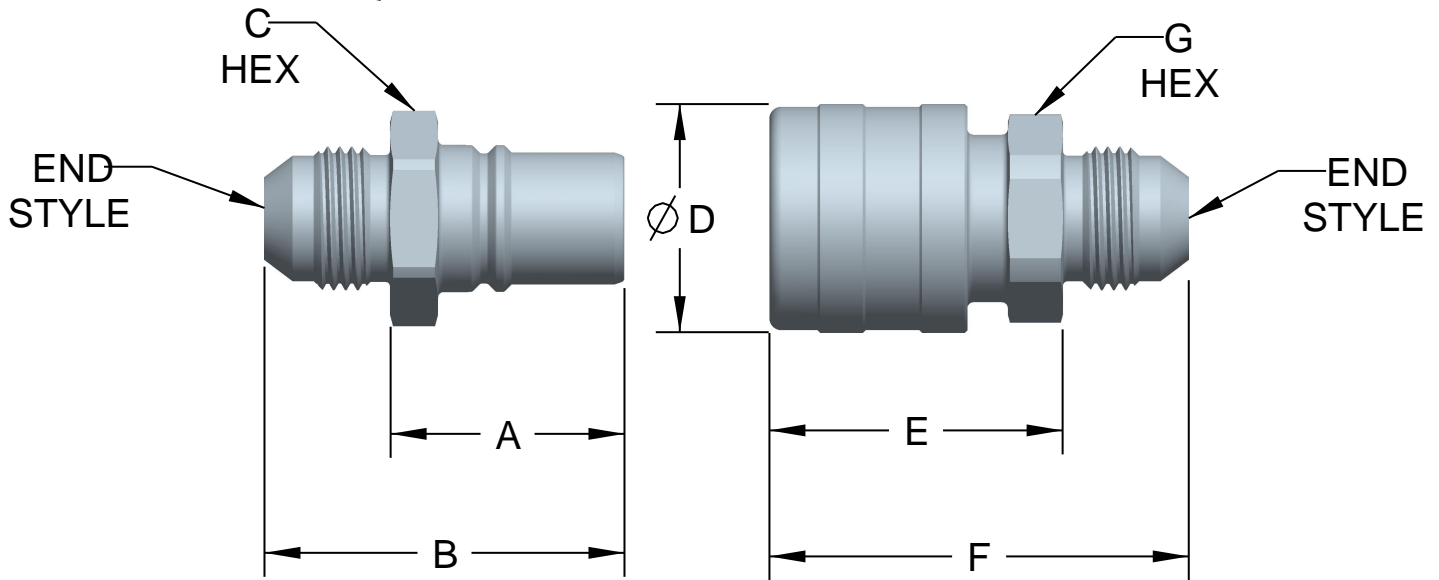


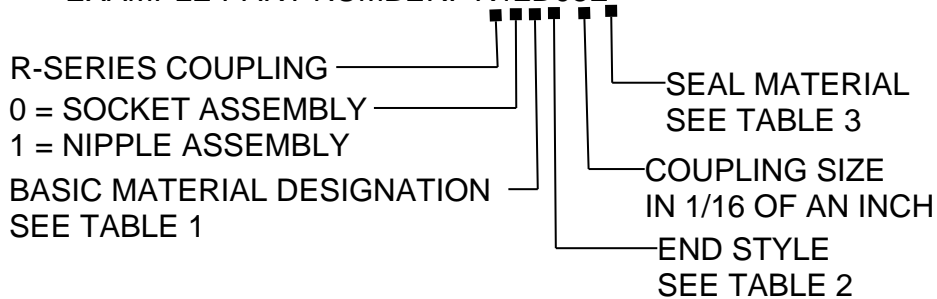
## R-SERIES QUICK DISCONNECT COUPLINGS



R1  
NIPPLE ASSEMBLY

R0  
SOCKET ASSEMBLY

EXAMPLE PART NUMBER: R12D08E



- \*\*OPERATING PRESSURE: 0-500 PSIG, PROOF PRESSURE: 750 PSIG, BURST PRESSURE: 1250 PSIG
- \*\*PUSH TO CONNECT - PULL TO DISCONNECT PIN STYLE LATCH DESIGN
- \*\*LOW AIR INCLUSION AND NEAR ZERO SPILLAGE
- \*\*LOW PRESSURE DROP
- \*\*MATES WITH SIMILAR INDUSTRY COUPLINGS
- \*\*BONDED SEAL DESIGN ELIMINATES SEAL BLOWOUT
- \*\*ENHANCED DURABILITY DESIGN AVAILABLE
- \*\*SEE NOTES FOR END STYLES AND MATERIALS

**TABLE 1  
BASIC COUPLING MATERIALS**

<b>0</b>	ALUMINUM
<b>1</b>	BRASS
<b>2</b>	STAINLESS STEEL
<b>3</b>	316 STAINLESS STEEL
<b>4</b>	TITANIUM
<b>****</b>	SPECIAL MATERIALS AVAILABLE, SEND REQUEST TO info@rayconindustries.com

**TABLE 2  
AVAILABLE END STYLES**

<b>A</b>	MALE PIPE THREAD (SAE-AS5201, MS33677, AND10077)
<b>B</b>	FEMALE PIPE THREAD
<b>C</b>	FEMALE O-RING BOSS (SAE-AS5202, MS33649)
<b>D</b>	37 DEGREE FLARE (SAE-AS4395, MS33656, JIC)
<b>E</b>	37 DEGREE FLARE, BULKHEAD (SAE-AS4396, MS33657)
<b>J</b>	FLARELESS TUBE CONNECTION (SAE-AS33514, MS33514)
<b>K</b>	FLARELESS TUBE CONNECTION , BULKHEAD (SAE-AS33515, MS33515)
<b>****</b>	CUSTOM ENDS AVAILABLE, SEND REQUEST TO info@rayconindustries.com

**TABLE 3  
BASIC SEAL MATERIALS**

<b>B</b>	BUNA N
<b>E</b>	ETHYLENE PROPYLENE
<b>F</b>	FLUOROSILICONE
<b>V</b>	VITON
<b>BQ</b>	BUNA N, HIGH ENDURANCE
<b>****</b>	SPECIAL MATERIALS AVAILABLE, SEND REQUEST TO info@rayconindustries.com

# Raycon Industries

BASIC LINE SIZE	END STYLE	A	B	C	D	E	F	G
1/4	A04	1.218	1.837	.875	1.188	1.533	2.154	1.000
3/8	A06	1.218	1.852	.875	1.188	1.533	2.169	1.000
1/2	A08	1.218	2.024	.875	1.188	1.533	2.341	1.000
3/4	A12	1.510	2.332	1.375	1.688	1.956	2.780	1.375
1	A16	1.510	2.519	1.375	2.891	1.956	2.967	1.375
1 1/4	A20	3.553	4.584	2.375	2.891	3.851	4.882	2.375
1 1/2	A24	3.553	4.599	2.375	2.891	3.851	4.897	2.375
2	A32	3.553	4.630	2.750	2.891	3.851	4.928	2.375

1/4	B04	1.218	1.821	.875	1.188	1.533	2.143	1.000
3/8	B06	1.218	1.947	.875	1.188	1.533	2.297	1.000
1/2	B08	1.218	2.136	.875	1.188	1.533	2.503	1.000
3/4	B12	1.510	2.426	1.375	1.688	1.956	2.869	1.375
1	B16	1.510	2.671	1.375	2.891	1.956	3.129	1.375
1 1/4	B20	3.553	4.616	2.375	2.891	3.851	4.914	2.375
1 1/2	B24	3.553	4.647	2.375	2.891	3.851	4.945	2.375
2	B32	3.553	4.655	2.750	2.891	3.851	4.953	2.375

1/4	D04	1.218	1.793	.875	1.188	1.533	2.110	1.000
3/8	D06	1.218	1.799	.875	1.188	1.533	2.116	1.000
1/2	D08	1.218	1.900	1.000	1.188	1.533	2.217	1.000
5/8	D10	1.510	2.293	1.375	1.688	1.956	2.741	1.375
3/4	D12	1.510	2.399	1.375	1.688	1.956	2.847	1.375
1	D16	1.510	2.446	1.625	2.891	1.956	2.894	1.375
1 1/4	D20	3.553	4.526	2.375	2.891	3.851	4.824	2.375
1 1/2	D24	3.553	4.651	2.375	2.891	3.851	4.949	2.375
2	D32	3.553	4.901	2.750	2.891	3.851	5.199	2.375

1/4	E04	1.218	2.307	.875	1.188	1.533	2.624	1.000
3/8	E06	1.218	2.385	.875	1.188	1.533	2.702	1.000
1/2	E08	1.218	2.541	1.000	1.188	1.533	2.858	1.000
5/8	E10	1.510	2.974	1.375	1.688	1.956	3.422	1.375
3/4	E12	1.510	3.145	1.375	1.688	1.956	3.593	1.375
1	E16	1.510	3.145	1.625	2.891	1.956	3.593	1.375
1 1/4	E20	3.553	5.225	2.375	2.891	3.851	5.523	2.375
1 1/2	E24	3.553	5.241	2.375	2.891	3.851	5.539	2.375
2	E32	3.553	5.506	2.750	2.891	3.851	5.804	2.375